



USAID
FROM THE AMERICAN PEOPLE



Nili Ravi Buffalo Herdbook



**A Partnership Between
Buffalo Breeders Association Punjab Pakistan
and
USAID Punjab Enabling Environment Project**

Nili Ravi Buffalo Herdbook

**A Partnership Between
Buffalo Breeders Association Punjab Pakistan
and
USAID Punjab Enabling Environment Project**

**NO. BA/BS/LBSA-02/2019
LIVESTOCK BREEDING SERVICES
AUTHORITY PUNJAB**

**REGISTRAR JOINT STOCK COMPANIES KASUR
UNDER SECTION 4 & 21 OF THE
SOCIETIES REGISTRATION ACT, XXI OF 1860
REGISTRATION NO CSR-665 OF 2011
NO. RJSC/KRSRIR-365/FC-20/38**

Disclaimer: This publication is made possible by the support of the American people through the United States Agency for International Development (USAID). The contents are the sole responsibility of the Buffalo Breeders Association Punjab Pakistan and do not necessarily reflect the views of USAID, the United States Government or Chemonics International Inc.

Contents

Sr. No.	Regd. No	Farmer Name	District	Page No
1		Introduction		i
2		Project Area		ii
3		Messages		iii
4		Pictorial Working History of Herdbook (BBAPP)		viii
5		Central Executive Council (BBAPP)		ix
6		Nili Ravi Buffalo Herdbook Compendium		xi
7	PP-001	Mian Saeed Hassan Hotiana	Pakpattan	1
8	LHR-002	Ch.Ashiq Gujjar	Lahore	12
9	TTS-003	Ch.Aftaab Cheema	Toba Tek Singh	18
10	KS-004	Engr. Mian Samiullah	Kasur	24
11	FSD-005	Ch. Basharat Aziz Jaspal	Faisalabad	30
12	KB-006	Ch. Abdul Jabbar Maan	Toba Tek Singh	36
13	FSD-007	Ch. Ejaz Ahmed Maan	Sheikhupura	42
14	PP-008	Mian Sajid Ejaz Hotiana	Pakpattan	48
15	BN-009	Syed Jawad Shah	Bahawalnagar	54
16	FSD-010	Asadullah Laghari	Faisalabad	60
17	LHR-011	Dr. M. Farukh Basheer Bhatti	Lahore	66
18	KS-012	Ch. Tariq Gujjar	Kasur	71
19	PP-013	Mian Minhaj Hotiana	Pakpattan	77
20	FSD-014	Ch.Rafiq Gujjar	Faisalabad	83
21	SK-015	Ch.Tariq	Shamkot	87
22	FSD-016	Sardar Dogar	Faisalabad	93
23	FSD-017	Rana Naveed Ahmed	Faisalabad	97
24	FSD-018	Ch.Umer Nazir Gujjar	Faisalabad	103
25	TW-019	Ch. Javeed Iqbal Khan	Tandlianwala	108
26	KS-020	Sardar Mahmood Serwer	Kasur	114
27	KS-021	Sardar Manawar Hayat	Kasur	120
28	KS-022	Rana Tanveer Irshad	Kasur	124
29	AW-023	Ch.Abbas Gujjar	Pakpattan	130
30	CN-024	Malik Riaz Ahmad Khokhar	kasur	135
31	KS-025	Ch. Mushtaq Ahmed Sindhu	Kasur	141
32	KS-026	Ch. Mushtaq Kambo	Kasur	147
33	KS-027	Malik Hamid	Kasur	153
34	KS-028	Maher Siddique	Kasur	159
35	LHR-029	Ch. Atif	Lahore	165
36	KS-030	Malik Ghulam Mustafa Khokhar	Kasur	171
37	KS-031	Malik Abbas khokhar	Kasur	177
38	KS-032	Malik Azamatullah	Kasur	183
39	KS-033	Engr. Shoaib Ahmad	Kasur	189

Sr. No.	Regd. No	Farmer Name	District	Page No
40	KS-034	Ch. Mahmood Ahmad	Kasur	195
41	KS-035	Mirza Auringzaib	Kasur	199
42	KS-036	Mian Aman Ullah	Kasur	205
43	KS-037	Malik Mashoor Khokhar	Kasur	211
44	KS-038	Muhammad Khan Bhatti	Kasur	217
45	KS-039	Ch. Ihsan Illahi	Kasur	223
46	KS-040	Rao Babar Jameel	Kasur	229
47	PP-041	Mian Pervaiz Hotiana	Pakpattan	235
48	PP-042	Syed Hassan Nawaz shah	Pakpattan	241
49	KS-043	Syed Rafee Shah	Kasur	247
50	KS-044	Ch. Zaka Ullah	Kasur	253
51	KS-045	Syed Sakhi Shah	Kasur	257
52	PP-046	Khan Ali Imran Rath	Pakpattan	263
53	PP-047	Khan Ahsen Salam Rath	Pakpattan	269
54	KS-048	Ch. Sajjad Haider Gujjar	Kasur	275
55	HT-049	Mian Shoukat Jahangir Hotiana	Hota	279
56	PP-050	Ch. Muhammad Liaqat	Pakpattan	283

INTRODUCTION

USAID PEEP in collaboration with L&DDD has launched herdbooks for the first time ever in Pakistan for implementing the Punjab Livestock Breeding Act 2014. Herdbooks are a recordkeeping mechanism for tracking the health and productivity indicators of livestock. This recordkeeping facilitates selective breeding for the purpose of improving specific physical characteristics, and the quality of meat and milk. It not only leads to higher income for farmers through better milk and meat production, but also maintains the record of the animal's pedigree, which determines its fair price and can be utilized for maintaining or modifying the breed across multiple generations.

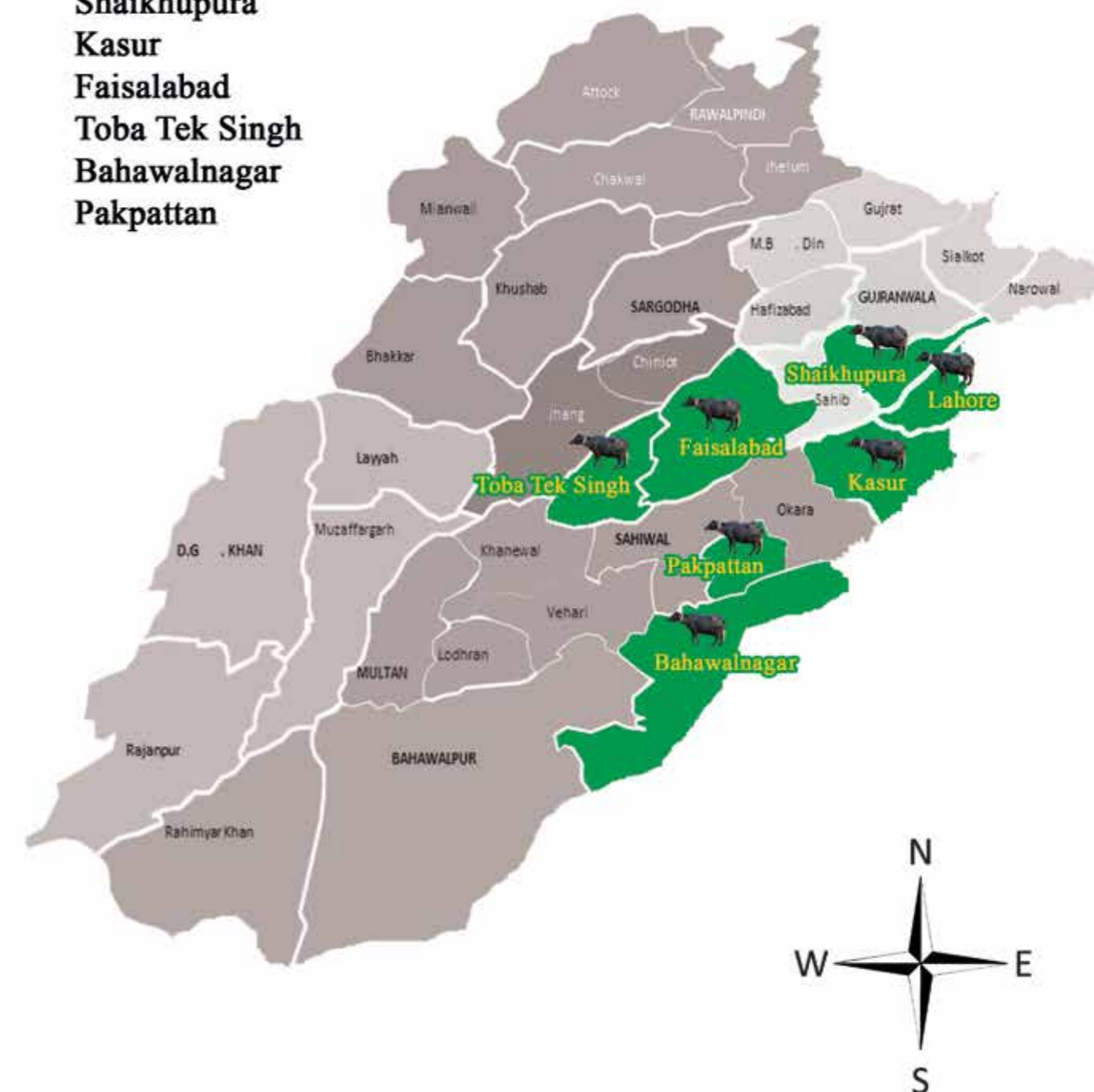
This herdbook records the performance of Nili Ravi buffalo being reared by members of the Buffalo Breeders Association, Punjab, Pakistan (BBAPP). It details the lactation periods, dates of calving, milk yield, and feeding and watering conditions of cows. Details of bulls utilized for breeding, and sex of the resulting offspring are also recorded for comparing breeding results.

Nili Ravi buffalo, the 'black gold' of Punjab is a prized breed. Its home tract is across the plains of Sutlej and Ravi rivers which include Lahore, Kasur, Sheikhupura, Faisalabad, Toba Tek Singh, Okara, Pakpattan, Sahiwal, Multan, and parts of Bahawalnagar districts of Punjab.

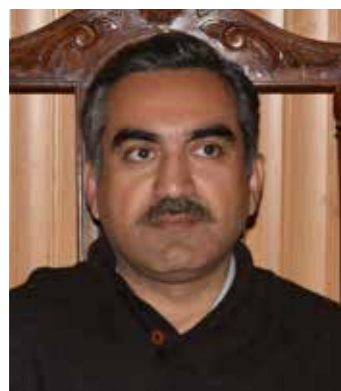
Nili Ravi buffaloes are massive, wedge-shaped animals. They are mostly black, but can also be found in brown, and often have white markings on their forehead, face, muzzle, and lower parts of the legs. The tail switch is often white. They possess medium, well-set head with small active walled eyes and curved horns. The neck is long and thin in females, but thick and powerful in males. The legs are comparatively short with strong bones. They have large and well-developed udder. Milk yield is up to 2,500 liters per lactation, with 6.5% butter fat. The tail is long that goes up to fetlock or just below, and often has a white tuft of hair which may touch the ground.

PROJECT AREA

Lahore
Shaikhupura
Kasur
Faisalabad
Toba Tek Singh
Bahawalnagar
Pakpattan



MESSAGE



The publication of this Herdbook is a leap towards breed improvement of the Nili Ravi buffalo in Punjab. Being iconic to Punjab's livestock and dairy sector, the Nili Ravi buffalo has been a backbone to Punjab's economy and a source of livelihood and nutrition of its hardworking inhabitants. The government holds its commitment to improving the lives of our people, and improving this breed is a significant step in that direction. I commend Buffalo Breeders Association, Punjab, Pakistan (BBAPP),

for this achievement in partnership with USAID Punjab Enabling Environment Project (PEEP).

Sardar Husnain Bahadur Dareshek

Minister

Livestock & Dairy Development Department
Government of the Punjab

MESSAGE



It is a source of immense pleasure that **Buffalo Breeders Association Punjab Pakistan (BBAPP)**, in partnership with USAID Punjab Enabling Environment Project (PEEP), has taken the initiative to publish this Herdbook which contains valuable animal data, fulfilling a key deliverable under the Punjab Livestock Breeding Act, 2014. In the Livestock sector, we are endeavoring to create enabling environment for making livestock a source of social security, poverty alleviation, and rural development.

This Herdbook is a significant step towards ensuring the data compilation on pedigree and performance traits of the Nili Ravi buffalo. The maintenance of animal records of such a wonderful breed at breeders' level will be useful to all the farmers, and the sector stakeholders, as it will help them in identification of elite animals and traceability thereof.

Muhammad Ahsan Waheed

Secretary

Livestock & Dairy Development Department
Government of the Punjab

MESSAGE



Buffalo has been an integral part of livestock agriculture in this region for over 5000 years producing draft power, milk, meat and hides.

Buffaloes contribute 62% of milk and 50% of beef in the country. Buffalo milk is healthy as it is richer in saturated fatty acids. Its much higher total solids (18-23% vs 13-16%) is useful for making cheese, butter fat, several kinds of traditional sweets and ice creams.

The buffalo milk contains 58% higher calcium, 40% more protein and 43% less cholesterol than cow's milk. Buffalo milk also contains high levels of the natural antioxidant tocopherol. The peroxidase activity is normally 2-4 times that of cow's milk. Buffalo meat is lean, tasty and contains low cholesterol and is therefore healthier to consume than beef. It contains lower saturated fat than beef, which is a good dietary value. Buffalo meat contains 40% less cholesterol, 55% less calories, 11% more protein and 10% more minerals in comparison to bovine meat.

We have variability in the genetic potential of this important animal, some animals produce more than 20 litres of milk a day and some are producing 7 litres a day. For genetic improvement and production of progeny tested bulls, it is highly important to have recorded buffalo bull mothers to produce high genetic bulls.

The efforts of Buffalo Breeders Association, Punjab, Pakistan (BBAPP) with support of USAID PEEP and Buffalo Research Institute, Pattoki to develop this herdbook and pool of recorded buffalo bull mothers is highly appreciated for genetic upgradation of Nili Ravi Buffaloes of Punjab.

I congratulate the teams of all participating institutions on achieving this milestone which will have lasting impact on the animal farming communities by producing superior animals.

Prof. Dr. Talat Naseer Pasha, S.I.

Vice Chancellor
University of Veterinary & Animal Sciences
Lahore

MESSAGE



The foundation stone of the 5,000 year old Indus Valley civilization has been livestock and the water buffalo has functioned as figurehead, symbol, and driver of technological improvements providing fertilizer as well as energy for moving agricultural devices for plantation and transport and most of all, an unmatched source of nutrition. The plethora of engagements of the buffalo in the daily life of the people of the Indus Valley is evidence that the prosperity and progress of the people of our

nation will go hand in hand with the promotion and protection of this veritable 'Black Gold'.

No other animal, much less a crop, provides a near-complete solution of nutrition. From meat to milk and milk products, the water-buffalo is an organic factory, capable of helping to overcome the prevalence of stunted growth among Pakistan's children.

While the benefits of the water-buffalo have been highlighted time and again, what is critical at this juncture is to set the benchmarks and baseline metrics of today from which future progress of the development of the buffalo herds can be measured. The initiative to create the buffalo herdbook has finally borne fruit and our policy makers and researchers can build upon this compilation. The buffalo breeds of Pakistan, their population, their genetics and health management practices require focused policies and funds. The overall development of the buffalo breeds of our region is something our governments and people are obligated to perform in return for what the buffalo has been blessing us with since time immemorial.

Mian Saeed Hassan Hotiana

President

Buffalo Breeders Association Punjab Pakistan

MESSAGE



It is a matter of great pride for us that for the first time at the national level, the development of Livestock Herdbook has enabled the implementation of Punjab Livestock Breeding Act 2014, which has been a result of the mutual efforts by Livestock and Dairy Development Department (L&DDD), Livestock Breeders Associations, and USAID Punjab Enabling Environment Project (PEEP). The development of Herdbook will help the livestock breeders and farmers assess the production potential of

livestock breeds and enable them to undertake breed improvement practices. This will help the farmers fetch better prices for their animals. The Herdbook will also help address the issue of animal traceability which has remained a major hurdle in livestock herd management. USAID PEEP is proud to be working with all the relevant stakeholders and intends to continue its efforts for livestock sector development. This collaborative initiative by USAID PEEP will help mobilize investment in livestock sector leading to improved livelihoods and income generation opportunities for livestock farmers.

Muhammad Junaid
Chief of Party

USAID Punjab Enabling Environment Project (PEEP)

Pictorial Working History of Herdbook (BBAPP)



Central Executive Council (BBAPP)

Administrative Council (BBAPP)



Mian Saeed Hassan Hotiana
President



Ch. Ashiq Gujjer
Senior Vice President



Ch. Aftaab Cheema
Vice President



Mian Sami Ullah
General Secretary



Ch. Abdul Jabbar Maan
Finance Secretary



Basharat Aziz Jaspal
Joint Secretary



Ch. Ijaz Maan
Chairman of Advisory Council



Dr. M. Farukh Basheer Bhatti
Technical Advisor



Ch. Galib Hayat Mangat
Information Secretary



Mian Sajjad Ejaz Hotiana
Legal Advisor

Advisory Council (BBAPP)

Mr. Sardar Asad Ullah Khan Lagari

Mr. Syed Israr Hussain Shah

Mr. Malik Muhammad Shoukat Dogar

Mr. Haji Rab Nawaz Khichi

Mr. Mian Sajaad Hussain Pir Zaada

Mr. Rana Waqas Ahmed

Mr. Ch. Jawed Iqbal Khan

Mr. Ch. Tariq

Mr. Dawood Khan

Mr. Mian Muhammad Khalid Lalika

Mr. Rai Ehsaan Randhariya

Mr. Mehar Muhammad Azam Kharl

Mr. Ch. Muhammad Usman Cheema

Mr. Ch. Khalid Bhatti

Mr. Khan Ali Imran Rath

Mr. Ch. Nasir Ahmed Maan

Mr. Ch. Raza Mohaiuddin

Mr. Tariq Mehmood Chauhdary

Honorary Council (BBAPP)

Ch. Sajjad Haider Gujjar
Convenor

Prof. Dr. Aleem Bhatti

Mian Sajid Bodla

Nili Ravi Buffalo Herdbook

COMPENDIUM

PP-001

Mian Saeed Hassan Hotiana



Farmer Detail

Name	Saeed Hassan Hotiana
Address	Hota, 20-Km hota Road District Pakpattan
Contact No	0300-6949597
CNIC	31101-9114031-1

Buffaloes Detail

Adults	Heifers	Calves	Bull	Total
55	30	35	5	115

Star Marked And changed colour is current practice of farmer from below Table

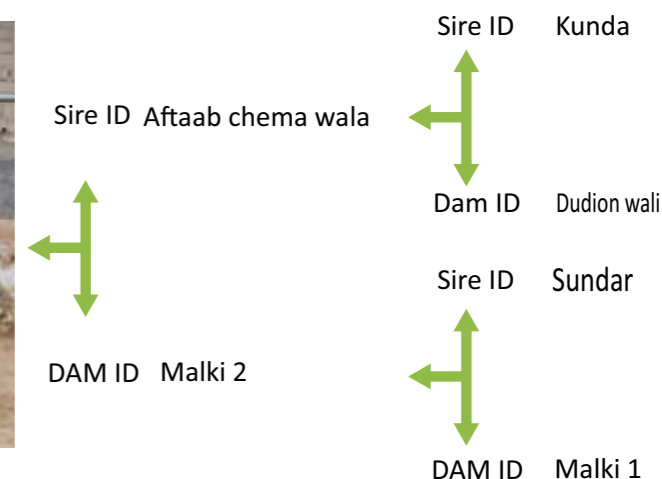
Feeding system

NFS	Necessary feeding system	Total mixed ration @3% Body wieght
HIFS	High input feeding system	Forage ad lib+ Silage/Hay+Concentrate+free water access
* MIFS	Medium input feeding system	Forage ad lib+ occasional Concentrate+free water access
LIFS	Low input feeding system	Forage ad lib+ water access on offering
PIFS	Poor input feeding system	Grazing from communal land+ Water access on offering

Housing System

Excellent	Loose stall,Proper feeding manger+Free access to pound+excellent Ventilation+Bedding in resting area
* Good	Loose stall, proper feeding manger+Once a day access to pound+resting area+excellent ventilation
Above average	Loose stall, proper feeding manger+resting area+good ventilation
Average	Tie stall+proper feeding manger+Resting area+good ventilation
Poor	Tie stall+poor ventilation+ No resting area

International ID	Project ID	Buffalo Name	Breed	Date Of Birth
PKB-PP-003-001-006	006	Malki	Nili	1/12/2012

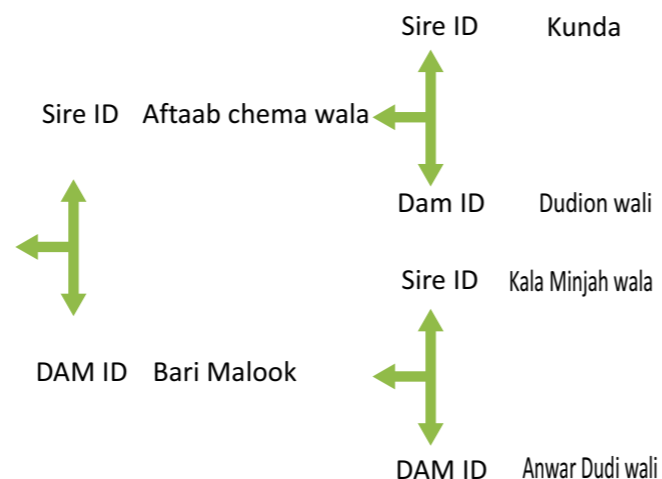


Recording no	Recording Date DD-MM-YYYY	Milk yield (Kg)			Fat%	Total Solids	Environmental Temp (celcius)	Forage Type
		Morning	Evening	Total				
1	6-Mar-2018	6.7	6.2	12.9	6.1	14.424	34	Berseem
2	6-Apr-18	7.2	7.4	14.6	6.2	14.686	37	Berseem
3	6-May-18	8.8	8	16.8	6.3	14.912	42	Sorghum
4	6-Jun-18	8.1	8.8	16.9	6.4	15.034	45	Sorghum
5	6-Jul-18	7.4	7.4	14.6	6.5	15.034	44	Sorghum
6	6-Aug-18	5.45	5.4	10.85	6.7	14.912	40	Maize
7	6-Sep-18	4.35	5.25	9.6	6.8	15.034	38	Maize
8	6-Oct-18	4	5	9	6.8	15.156	36	Maize
9	6-Nov-18	3.5	4.5	8	6.9	15.278	35	Maize

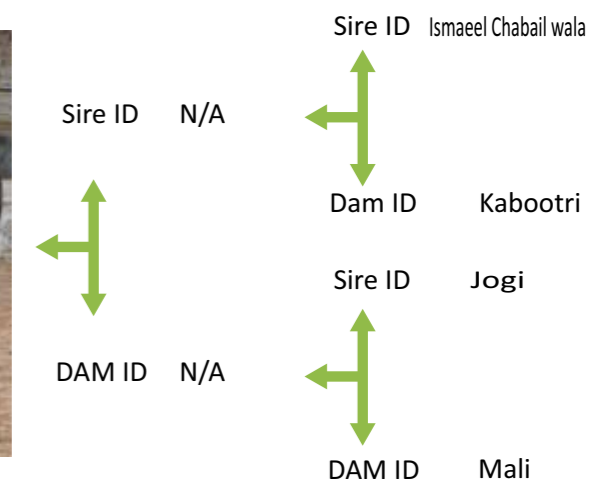
Performance History & Progeny Record

Performance History					Progeny Record		
Lactation no	Date of Calving MM-DD-YYYY	Date of Dry MM-DD-YYYY	Lactation Length	Milk yield (Lit.)	Calf ID	Sire ID	Sex
1	8-12-15	7-29-16	352	2342	B-101	Parwan	Male
2	9-08-16	9-19-17	376	2610	B-189	Parwan	Male
3	1-17-18				B-321	Four Star	Female

International ID	Project ID	Buffalo Name	Breed	Date Of Birth
PKB-PP-003-001-007	007	Malook	Nili	12/19/2011



International ID	Project ID	Buffalo Name	Breed	Date Of Birth
PKB-PP-003-001-008	008	Chirri	Nili	9/19/2013



Current lactation performance		Current Lactation No			3rd			
Recording no	Recording Date DD-MM-YYYY	Milk yield (Kg)			Fat%	Total Solids	Environmental Temp (celcius)	Forage Type
		Morning	Evening	Total				
1	6-Mar-2018	7.2	6.5	13.7	6.1	14.424	31	Berseem
2	6-Apr-18	8	7.3	15.3	6.2	14.686	38	Berseem
3	6-May-18	9.2	8.01	17.21	6.3	14.912	42	Sorghum
4	6-Jun-18	8.7	8.3	17	6.4	15.034	45	Sorghum
5	6-Jul-18	7.23	7.3	14.55	6.5	15.034	44	Sorghum
6	6-Aug-18	6.2	5.35	11.55	6.7	14.912	39	Maize
7	6-Sep-18	5.85	5.3	11.15	6.8	15.034	41	Maize
8	6-Oct-18	4.27	3.1	7.37	6.8	15.156	36	Maize
9	6-Nov-18	4	3	7	6.9	15.278	35	Maize

Current lactation performance		Current Lactation No			2nd			
Recording no	Recording Date DD-MM-YYYY	Milk yield (Kg)			Fat%	Total Solids	Environmental Temp (celcius)	Forage Type
		Morning	Evening	Total				
1	6-Mar-2018	7.5	6.9	14.4	6.1	14.424	31	Berseem
2	6-Apr-18	7.9	8.34	16.24	6.2	14.686	38	Berseem
3	6-May-18	6.204	6.854	13.058	6.3	14.912	42	Sorghum
4	6-Jun-18	5.67	6.57	12.24	6.4	15.034	45	Sorghum
5	6-Jul-18	6.7	6.23	12.93	6.5	15.034	44	Sorghum
6	6-Aug-18	5.43	4.9	10.33	6.7	14.912	39	Maize
7	6-Sep-18	5.3	4.9	10.2	6.8	15.034	41	Maize
8	6-Oct-18	5.26	4.85	10.11	6.8	15.156	36	Maize
9	6-Nov-18	4.2	3.2	7.4	6.9	15.278	35	Maize

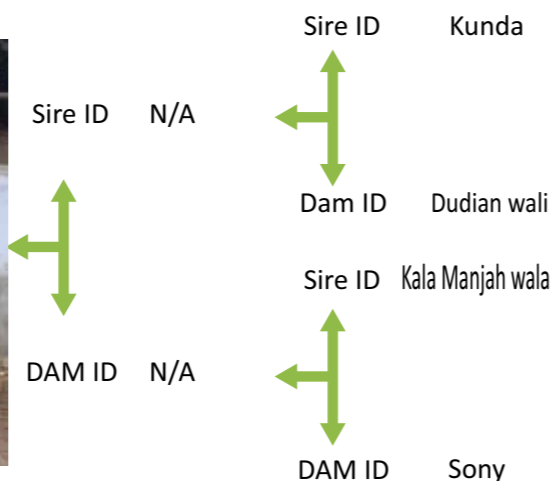
Performance History & Progeny Record

Performance History					Progeny Record		
Lactation no	Date of Calving MM-DD-YYYY	Date of Dry MM-DD-YYYY	Lactation Length	Milk yield (Lit.)	Calf ID	Sire ID	Sex
1	8-29-15	9-29-16	377	2401	B-101	Parwan	Male
2	12-12-16	10-16-17	308	2534	B-234	Mamoora	Male
3	2-27-18				B-304	Mamoora	Female

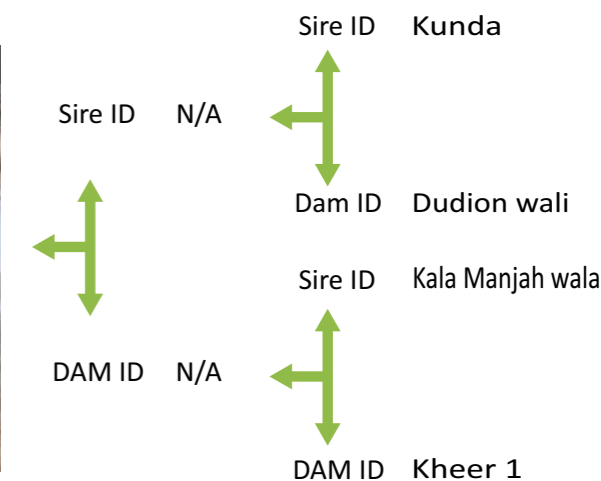
Performance History & Progeny Record

Performance History					Progeny Record		
Lactation no	Date of Calving MM-DD-YYYY	Date of Dry MM-DD-YYYY	Lactation Length	Milk yield (Lit.)	Calf ID	Sire ID	Sex
1	10-12-16	9-28-17	351	2490	B-103	Mamoora	Male
2	1-19-18					Four star	Male
3							

International ID	Project ID	Buffalo Name	Breed	Date Of Birth
PKB-PP-003-001-009	009	Jhandi	Nili	1/12/2012



International ID	Project ID	Buffalo Name	Breed	Date Of Birth
PKB-PP-003-001-010	010	Kheer	Nili	N/A



Current lactation performance		Current Lactation No			3rd			
Recording no	Recording Date DD-MM-YYYY	Milk yield (Kg)			Fat%	Total Solids	Environmental Temp (celcius)	Forage Type
		Morning	Evening	Total				
1	6-Mar-2018	6.34	7.8	14.14	6.1	14.424	31	Berseem
2	6-Apr-18	8.2	7.3	15.5	6.2	14.686	38	Berseem
3	6-May-18	9.2	8.9	18.1	6.3	14.912	42	Sorghum
4	6-Jun-18	7.5	6.5	14	6.4	15.034	45	Sorghum
5	6-Jul-18	4.894	5.1	9.994	6.5	15.034	44	Sorghum
6	6-Aug-18	4.2	4.7	8.9	6.7	14.912	39	Maize
7	6-Sep-18	4	4.2	8.2	6.8	15.034	41	Maize
8	6-Oct-18	3.2	3.4	6.6	6.8	15.156	36	Maize
9	6-Nov-18	3	2.4	5.4	6.9	15.278	35	Maize

Current lactation performance		Current Lactation No			4th			
Recording no	Recording Date DD-MM-YYYY	Milk yield (Kg)			Fat%	Total Solids	Environmental Temp (celcius)	Forage Type
		Morning	Evening	Total				
1	6-Mar-2018	6.5	7.45	13.95	6.1	14.424	31	Berseem
2	6-Apr-18	7.34	8.45	15.79	6.2	14.686	38	Berseem
3	6-May-18	8.7	8.5	17.2	6.3	14.912	42	Sorghum
4	6-Jun-18	8	8.345	16.345	6.4	15.034	45	Sorghum
5	6-Jul-18	7.2	7.8	15	6.5	15.034	44	Sorghum
6	6-Aug-18	5.45	6.5	11.9	6.7	14.912	39	Maize
7	6-Sep-18	5.1	5.3	10.4	6.8	15.034	41	Maize
8	6-Oct-18	4.7	4.2	8.9	6.8	15.156	36	Maize
9	6-Nov-18	4.2	3.2	7.4	6.9	15.278	35	Maize

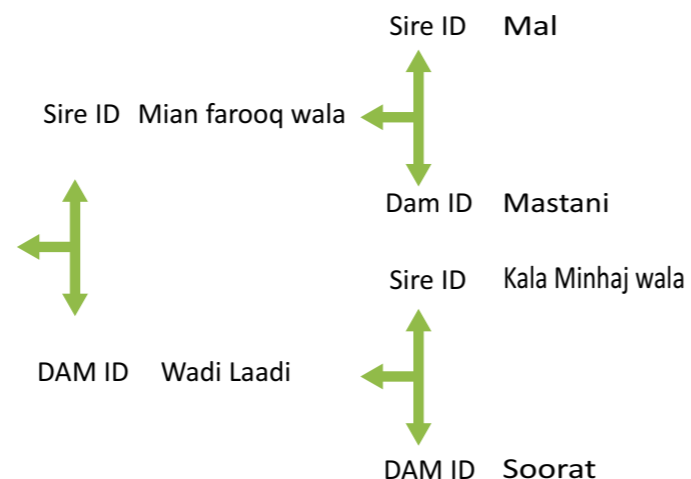
Performance History & Progeny Record

Performance History					Progeny Record		
Lactation no	Date of Calving MM-DD-YYYY	Date of Dry MM-DD-YYYY	Lactation Length	Milk yield (Lit.)	Calf ID	Sire ID	Sex
1	8-23-15	6-22-16	304	2123	B-104	Parwan	Male
2	9-19-16	10-30-17	406	2700	B-223	Mamoora	Female
3	1-06-18				B-303	Four Star	Male

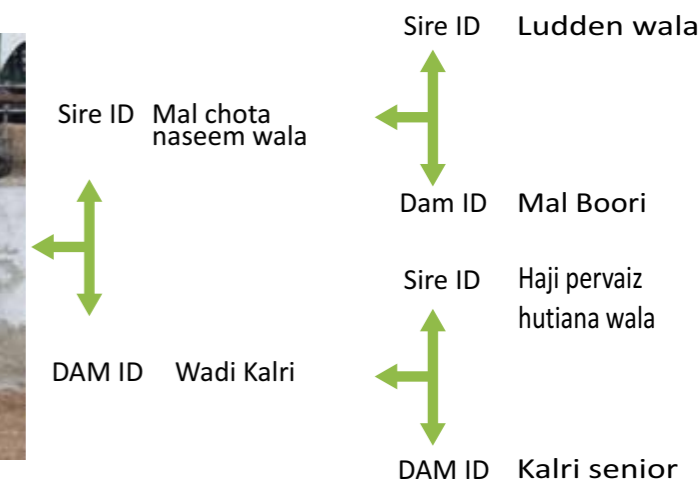
Performance History & Progeny Record

Performance History					Progeny Record		
Lactation no	Date of Calving MM-DD-YYYY	Date of Dry MM-DD-YYYY	Lactation Length	Milk yield (Lit.)	Calf ID	Sire ID	Sex
1	9-29-15	9-9-16	346	2345	B-105	Parwan	Female
2	12-12-16	9-16-17	278	2534	B-219	Mamoora	Male
3	2-27-18				B-304	Mamoora	Male

International ID	Project ID	Buffalo Name	Breed	Date Of Birth
PKB-PP-003-001-124	Tag#124	Ladi	Nili	N/A



International ID	Project ID	Buffalo Name	Breed	Date Of Birth
PKB-PP-003-001-125	Tag#125	Kalri	Nili	12-06-2015



Current lactation performance		Current Lactation No			3rd	Fat%	Total Solids	Environmental Temp (celcius)	Forage Type
Recording no	Recording Date DD-MM-YYYY	Milk yield (Kg)							
		Morning	Evening	Total					
1	6-Mar-2018	6.34	7.43	13.77	6.1	14.424	31	Berseem	
2	6-Apr-18	7.2	7.8	15	6.2	14.686	38	Berseem	
3	6-May-18	6.34	7.43	13.77	6.3	14.912	42	Sorghum	
4	6-Jun-18	7.2	7.8	15	6.4	15.034	45	Sorghum	
5	6-Jul-18	6.87	6.486	13.356	6.5	15.034	44	Sorghum	
6	6-Aug-18	6	5.9	11.9	6.7	14.912	39	Maize	
7	6-Sep-18	4.894	4.948	9.842	6.8	15.034	41	Maize	
8	6-Oct-18	2.65	3.054	5.704	6.8	15.156	36	Maize	
9	6-Nov-18	0	2.326	2.326	6.9	15.278	35	Maize	

Current lactation performance		Current Lactation No			1st	Fat%	Total Solids	Environmental Temp (celcius)	Forage Type
Recording no	Recording Date DD-MM-YYYY	Milk yield (Kg)							
		Morning	Evening	Total					
1	6-Mar-2018	7.25	7.6	14.85	6.1	14.424	31	Berseem	
2	6-Apr-18	7	6.6	13.6	6.2	14.686	38	Berseem	
3	6-May-18	6.2	6.6	12.8	6.3	14.912	42	Sorghum	
4	6-Jun-18	5.6	5.9	11.5	6.4	15.034	45	Sorghum	
5	6-Jul-18	4.8	4.7	9.5	6.5	15.034	44	Sorghum	
6	6-Aug-18	4.3	4.3	8.6	6.7	14.912	39	Maize	
7	6-Sep-18	4	3.9	7.9	6.8	15.034	41	Maize	
8	6-Oct-18	3.1	3.6	6.7	6.8	15.156	36	Maize	
9	6-Nov-18	3.2	2.2	5.4	6.9	15.278	35	Maize	

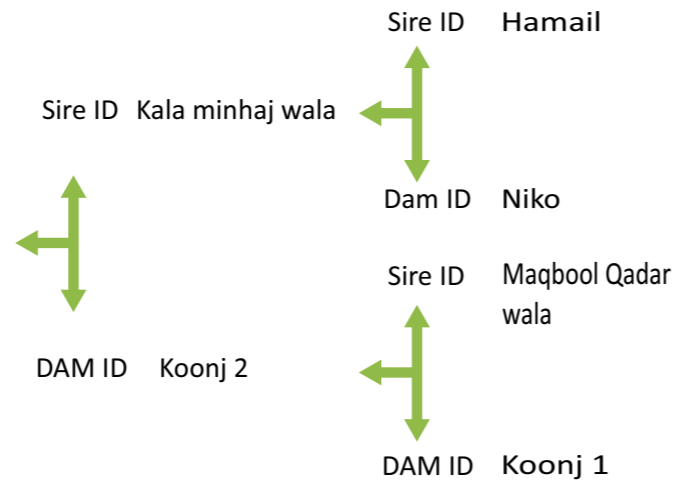
Performance History & Progeny Record

Performance History					Progeny Record		
Lactation no	Date of Calving MM-DD-YYYY	Date of Dry MM-DD-YYYY	Lactation Length	Milk yield (Lit.)	Calf ID	Sire ID	Sex
1	9-29-15	9-8-16	315	2309	B-106	Laal	Feamle
2	11-12-16	9-9-17	308	2600	B-215	Four Star	Male
3	11-16-17				B-305	Parwana	Male

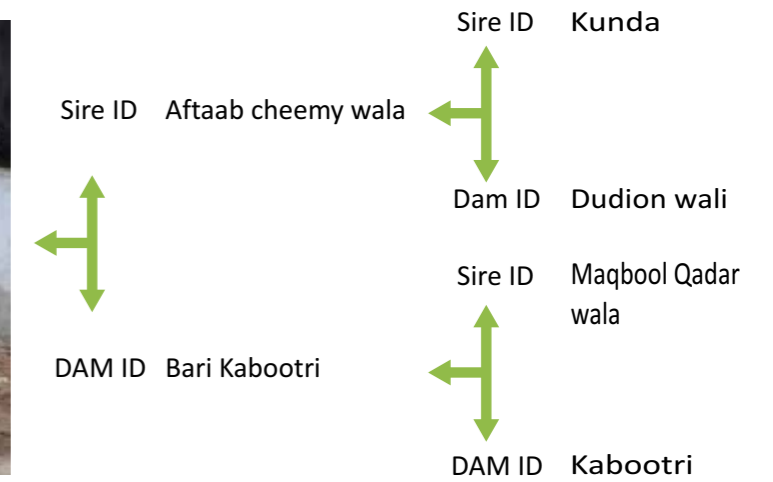
Performance History & Progeny Record

Performance History					Progeny Record		
Lactation no	Date of Calving MM-DD-YYYY	Date of Dry MM-DD-YYYY	Lactation Length	Milk yield (Lit.)	Calf ID	Sire ID	Sex
1	01-12-2018				B-309	Four Star	Male
2							
3							

International ID	Project ID	Buffalo Name	Breed	Date Of Birth
PKB-PP-003-001-127	Tag#127	Koonj 3	Nili	N/A



International ID	Project ID	Buffalo Name	Breed	Date Of Birth
PKB-PP-003-001-123	123	Choti Kabootri	Nili	N/A



Current lactation performance		Current Lactation No			4th			
Recording no	Recording Date DD-MM-YYYY	Milk yield (Kg)			Fat%	Total Solids	Environmental Temp (celcius)	Forage Type
		Morning	Evening	Total				
1	6-Mar-2018	6.43	9.43	15.86	6.1	14.424	31	Berseem
2	6-Apr-18	7.756	10.056	17.812	6.2	14.686	38	Berseem
3	6-May-18	6.9	8.9	15.8	6.3	14.912	42	Sorghum
4	6-Jun-18	8.2	9.15	17.35	6.4	15.034	45	Sorghum
5	6-Jul-18	7.3	8.15	15.45	6.5	15.034	44	Sorghum
6	6-Aug-18	4.1	4.6	8.7	6.7	14.912	39	Maize
7	6-Sep-18	4.05	3.9	8.7	6.8	15.034	41	Maize
8	6-Oct-18	3.428	5.55	9.6	6.8	15.156	36	Maize
9	6-Nov-18	3	2.78	5.78	6.9	15.278	35	Maize

Current lactation performance		Current Lactation No			3rd			
Recording no	Recording Date DD-MM-YYYY	Milk yield (Kg)			Fat%	Total Solids	Environmental Temp (celcius)	Forage Type
		Morning	Evening	Total				
1	6-Mar-2018	6.43	9.43	15.86	6.1	14.424	31	Berseem
2	6-Apr-18	7.756	9.987	17.743	6.2	14.686	38	Berseem
3	6-May-18	7.2	8.9	16.1	6.3	14.912	42	Sorghum
4	6-Jun-18	8.2	8.5	16.7	6.4	15.034	45	Sorghum
5	6-Jul-18	7.3	8.15	16.45	6.5	15.034	44	Sorghum
6	6-Aug-18	4.1	4.6	8.7	6.7	14.912	39	Maize
7	6-Sep-18	4.05	5.55	9.6	6.8	15.034	41	Maize
8	6-Oct-18	3.428	4.1	7.528	6.8	15.156	36	Maize
9	6-Nov-18	3	2.78	5.78	6.9	15.278	35	Maize

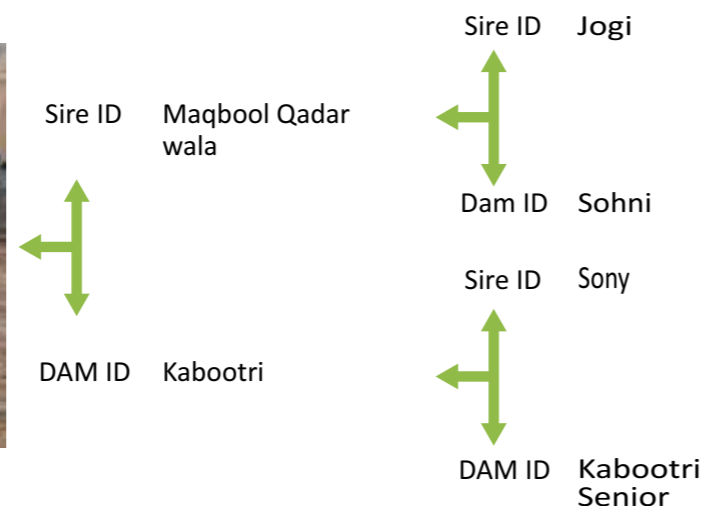
Performance History & Progeny Record

Performance History					Progeny Record		
Lactation no	Date of Calving MM-DD-YYYY	Date of Dry MM-DD-YYYY	Lactation Length	Milk yield (Lit.)	Calf ID	Sire ID	Sex
1	11-29-15	9-9-16	346	2398	B-108	mamoora	Male
2	12-12-16	10-16-17	308	2605	B-217	Laal	Male
3	28-02-18				B-307	Four Star	Male

Performance History & Progeny Record

Performance History					Progeny Record		
Lactation no	Date of Calving MM-DD-YYYY	Date of Dry MM-DD-YYYY	Lactation Length	Milk yield (Lit.)	Calf ID	Sire ID	Sex
1	9-29-15	9-9-16	346	2201	B-109	Mamoora	Female
2	12-12-16	10-16-17	308	2590	B-234	Laal	Male
3	24-01-18				B-316	Four Star	Male

International ID	Project ID	Buffalo Name	Breed	Date Of Birth
PKB-PP-003-001-126	126	Bari Kabootri	Nili	N/A



Current lactation performance		Current Lactation No			6th	Total Solids	Environmental Temp (celcius)	Forage Type
Recording no	Recording Date DD-MM-YYYY	Morning	Evening	Total	Fat%			
1	6-Mar-2018	6.43	9.43	15.86	6.1	14.424	31	Berseem
2	6-Apr-18	7.756	10.056	17.812	6.2	14.686	38	Berseem
3	6-May-18	6.78	8.9	15.68	6.3	14.912	42	Sorghum
4	6-Jun-18	8.19	9.15	17.34	6.4	15.034	45	Sorghum
5	6-Jul-18	7.3	8.15	15.45	6.5	15.034	44	Sorghum
6	6-Aug-18	4.01	4.6	8.61	6.7	14.912	39	Maize
7	6-Sep-18	3.99	5.9	9.89	6.8	15.034	41	Maize
8	6-Oct-18	3.428	4	7.248	6.8	15.156	36	Maize
9	6-Nov-18	3	2.9	5.9	6.9	15.278	35	Maize

LHR-002

Ch. Ashiq Gujjar



Farmer Detail

Name	Ch. Ashiq Gujjar
Address	Sundar, Tehsil Raiwind District Lahore
Contact No	0333-4247737
CNIC	35402-9604922-1

Buffaloes Detail

Adults	Heifers	Calves	Bull	Total
40	18	32	3	93

Star Marked And changed colour is current practice of farmer from below Table

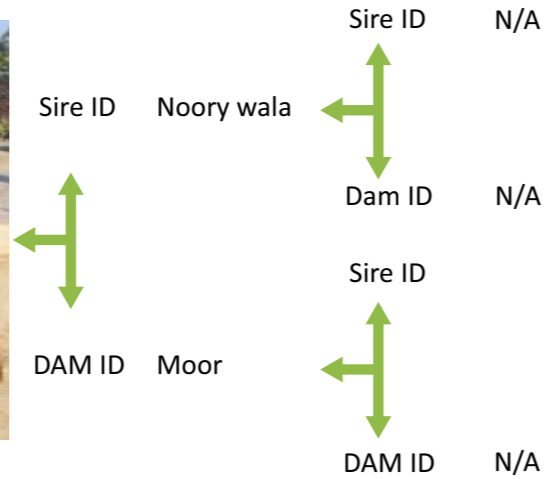
Feeding system

NFS	Necessary feeding system	Total mixed ration @3% Body wieght
* HIFS	High input feeding system	Forage ad lib+ Silage/Hay+Concentrate+free water access
MIFS	Medium input feeding system	Forage ad lib+ occasional Concentrate+free water access
LIFS	Low input feeding system	Forage ad lib+ water access on offering
PIFS	Poor input feeding system	Grazing from communal land+ Water access on offering

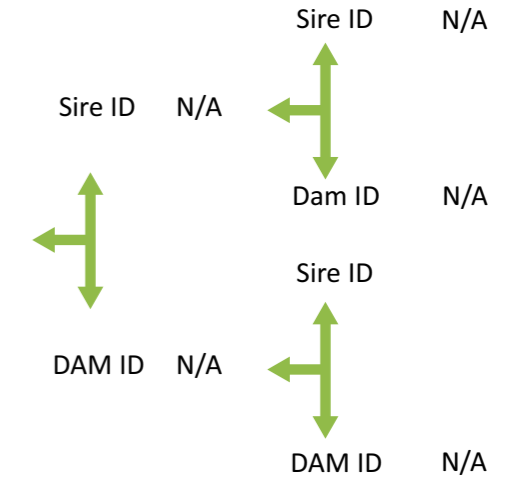
Housing System

Excellent	Loose stall, Proper feeding manger+Free access to pound+excellent Ventilation+Bedding in resting area
* Good	Loose stall, proper feeding manger+Once a day access to pound+resting area+excellent ventilation
Above average	Loose stall, proper feeding manger+resting area+good ventilation
Average	Tie stall+proper feeding manger+Resting area+good ventilation
Poor	Tie stall+poor ventilation+ No resting area

International ID	Project ID	Buffalo Name	Breed	Date Of Birth
PKB-LHR-001-002-032	Tag#32	Nagni	Nili-Ravi	9/4/2013



International ID	Project ID	Buffalo Name	Breed	Date Of Birth
PKB-LHR-001-002-034	Tag#34	Piari	N/A	N/A



Current lactation performance		Current Lactation No			2nd	Fat%	Total Solids	Environmental Temp (celcius)	Forage Type
Recording no	Recording Date DD-MM-YYYY	Milk yield (Kg)							
		Morning	Evening	Total					
1	29-Mar-18	7.8	7.3	15.1	6.2	15.034	32	Berseem	
2	29-Apr-18	7.432	8.34	15.772	6.2	15.034	38	Berseem	
3	29-May-18	7.123	6.854	13.977	6.3	15.156	42	Silage	
4	29-Jun-18	5.4	6.57	11.97	6.4	15.278	44	Maize	
5	29-Jul-18	5.09	6.23	11.32	6.5	15.4	44	Sorghum	
6	29-Aug-18	4.7	4.9	9.6	6.8	15.766	39	Silage	
7	29-Sep-18	4.2	4.9	9.1	6.9	15.888	38	Silage	
8	29-Oct-18	3.4	4.85	8.25	6.9	15.888	35	Maize	
9	29-Nov-18	2.4	3.2	5.6	7.1	16.132	32	Maize	

Current lactation performance		Current Lactation No			2nd	Fat%	Total Solids	Environmental Temp (celcius)	Forage Type
Recording no	Recording Date DD-MM-YYYY	Milk yield (Kg)							
		Morning	Evening	Total					
1	29-Mar-18	8.01	8.9	16.91	6.2	15.034	32	Berseem	
2	29-Apr-18	8.9	9.876	18.776	6.2	15.034	38	Berseem	
3	29-May-18	8.4	8.97	17.37	6.3	15.156	42	Silage	
4	29-Jun-18	8.3	7.9	16.2	6.4	15.278	44	Maize	
5	29-Jul-18	7.3	7.05	14.35	6.5	15.4	44	Sorghum	
6	29-Aug-18	5.35	5.9	11.25	6.8	15.766	39	Silage	
7	29-Sep-18	5.3	3.7	9	6.9	15.888	38	Silage	
8	29-Oct-18	3.1	4	7.1	6.9	15.888	35	Maize	
9	29-Nov-18	3	2	5	7.1	16.132	32	Maize	

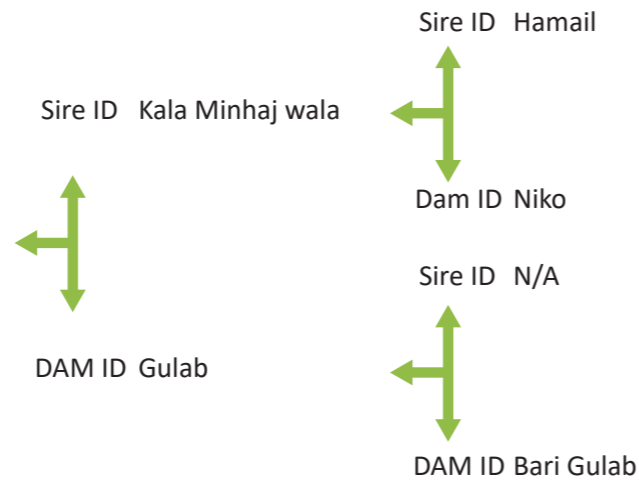
Performance History & Progeny Record

Performance History					Progeny Record		
Lactation no	Date of Calving MM-DD-YYYY	Date of Dry MM-DD-YYYY	Lactation Length	Milk yield (Lit.)	Calf ID	Sire ID	Sex
1	9-7-16	8-9-17	336	1967	Moja Aala	Manjo	Male
2	1-12-18					Four Star	Female
3							

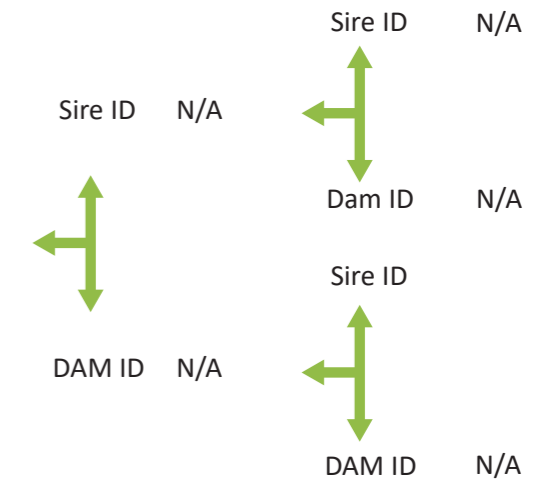
Performance History & Progeny Record

Performance History					Progeny Record		
Lactation no	Date of Calving MM-DD-YYYY	Date of Dry MM-DD-YYYY	Lactation Length	Milk yield (Lit.)	Calf ID	Sire ID	Sex
1	N/A	N/A	N/A	N/A	N/A	N/A	N/A
2	18-Jan-18					N/A	Female

International ID	Project ID	Buffalo Name	Breed	Date Of Birth
PKB-LHR-001-002-035	Tag#35	Gulabo	Nilli	7/14/2004



International ID	Project ID	Buffalo Name	Breed	Date Of Birth
PKB-LHR-001-002-036	Tag#36	Kaathe	Nili-Ravi	



Current lactation performance		Current Lactation No			3rd			
Recording no	Recording Date DD-MM-YYYY	Milk yield (Kg)			Fat%	Total Solids	Environmental Temp (celcius)	Forage Type
		Morning	Evening	Total				
1	29-Mar-18	7.54	7.11	14.65	6.2	15.034	32	Berseem
2	29-Apr-18	7.05	8.08	15.13	6.2	15.034	38	Berseem
3	29-May-18	5.9	6.854	12.754	6.3	15.156	42	Silage
4	29-Jun-18	5.2	6.57	11.77	6.4	15.278	44	Maize
5	29-Jul-18	5	6.23	11.23	6.5	15.4	44	Sorghum
6	29-Aug-18	4.54	5.34	9.88	6.8	15.766	39	Silage
7	29-Sep-18	3.7	4.9	8.6	6.9	15.888	38	Silage
8	29-Oct-18	4.2	4.97	9.17	6.9	15.888	35	Maize
9	29-Nov-18	3.9	3.24	7.14	7.1	16.132	32	Maize

Current lactation performance		Current Lactation No			6th			
Recording no	Recording Date DD-MM-YYYY	Milk yield (Kg)			Fat%	Total Solids	Environmental Temp (celcius)	Forage Type
		Morning	Evening	Total				
1	29-Mar-18	7.25	7.98	15.23	6.2	15.034	32	Berseem
2	29-Apr-18	8.2	8.765	16.965	6.2	15.034	38	Berseem
3	29-May-18	7.249	8.4	15.649	6.3	15.156	42	Silage
4	29-Jun-18	7	8.3	15.3	6.4	15.278	44	Maize
5	29-Jul-18	6.5	7.3	13.8	6.5	15.4	44	Sorghum
6	29-Aug-18	5.33	5.35	10.68	6.8	15.766	39	Silage
7	29-Sep-18	4.9	5.3	10.2	6.9	15.888	38	Silage
8	29-Oct-18	4	3.1	7.1	6.9	15.888	35	Maize
9	29-Nov-18	3.5	3	6.5	7.1	16.132	32	Maize

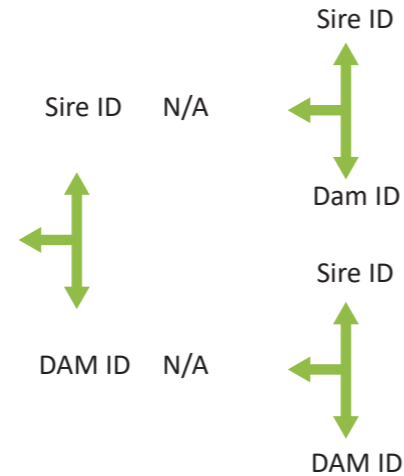
Performance History & Progeny Record

Performance History					Progeny Record		
Lactation no	Date of Calving MM-DD-YYYY	Date of Dry MM-DD-YYYY	Lactation Length	Milk yield (Lit.)	Calf ID	Sire ID	Sex
1	7-12-15	6-15-16	339	2100	B-12	Munda	Male
2	10-16-16	7-21-17	278	3190	B-78	Parwan	Male
3	1-1-18				B-138	Heero	Female

Performance History & Progeny Record

Performance History					Progeny Record		
Lactation no	Date of Calving MM-DD-YYYY	Date of Dry MM-DD-YYYY	Lactation Length	Milk yield (Lit.)	Calf ID	Sire ID	Sex
1	7-16-15	8-4-16	385	17	B-9	Parwan	Male
2	11-15-16	8-31-17	289	17	B-81	Manjo	Male
3	12-31-17				B-139	Heero	Female

International ID	Project ID	Buffalo Name	Breed	Date Of Birth
PKB-LHR-001-002-147	Tag#147	Heer	Nilli	



Current lactation performance		Current Lactation No			5th	Fat%	Total Solids	Environmental Temp (celcius)	Forage Type
Recording no	Recording Date DD-MM-YYYY	Milk yield (Kg)							
		Morning	Evening	Total					
1	29-Mar-18	7.1	6.9	14	6.2	15.034	32	Berseem	
2	29-Apr-18	7.5	7	14.5	6.2	15.034	38	Berseem	
3	29-May-18	6.9	7.2	14.1	6.3	15.156	42	Silage	
4	29-Jun-18	5.9	5.4	11.3	6.4	15.278	44	Maize	
5	29-Jul-18	5.5	5.1	10.6	6.5	15.4	44	Sorghum	
6	29-Aug-18	4.9	4.7	9.6	6.8	15.766	39	Silage	
7	29-Sep-18	3.5	4.2	7.7	6.9	15.888	38	Silage	
8	29-Oct-18	3	3.4	6.4	6.9	15.888	35	Maize	
9	29-Nov-18	3	2.4	5.4	7.1	16.132	32	Maize	

Performance History & Progeny Record

Performance History					Progeny Record		
Lactation no	Date of Calving MM-DD-YYYY	Date of Dry MM-DD-YYYY	Lactation Length	Milk yield (Lit.)	Calf ID	Sire ID	Sex
1	7-1-15	5-26-16	330	1970	B-5	Manjo	Female
2	7-22-16	9-23-17	428	2690	B-76	Manjo	Female
3	1-23-18				B-136	Parwan	Male

TTS-003

Ch. Aftab Ahmad Cheema



Farmer Detail

Name	Ch.Aftab Ahmad Cheema
Address	Chack 303 GB, Tehsil Gojra District Toba Tek sing
Contact No	0345-7868522
CNIC	33301-5566550-3

Buffaloes Detail

Adults	Heifers	Calves	Bull	Total
25	12	13	1	51

Star Marked And changed colour is current practice of farmer from below Table

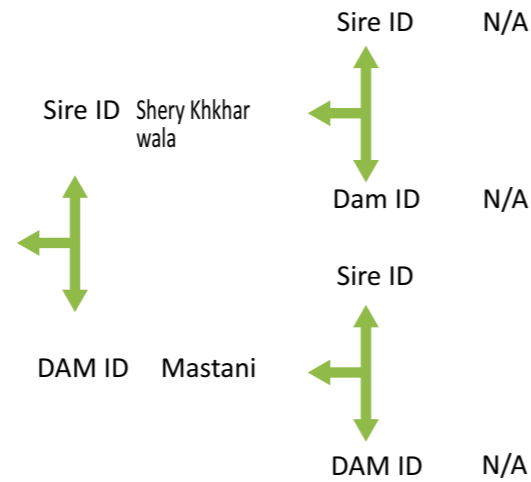
Feeding system

NFS	Necessary feeding system	Total mixed ration @3% Body wieght
HIFS	High input feeding system	Forage ad lib+ Silage/Hay+Concentrate+free water access
* MIFS	Medium input feeding system	Forage ad lib+ occasional Concentrate+free water access
LIFS	Low input feeding system	Forage ad lib+ water access on offering
PIFS	Poor input feeding system	Grazing from communal land+ Water access on offering

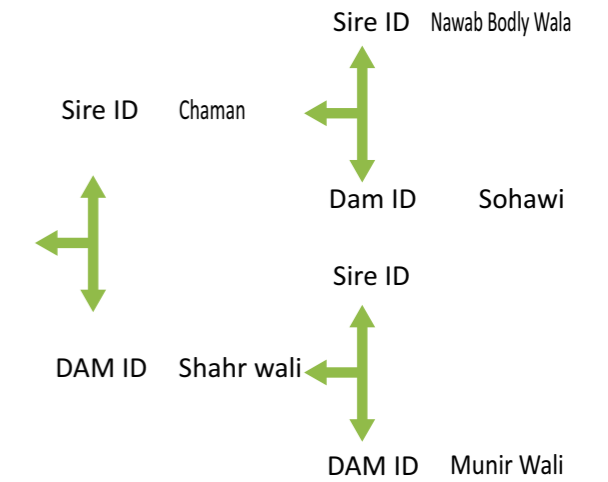
Housing System

Excellent	Loose stall, Proper feeding manger+Free access to pound+excellent Ventilation+Bedding in resting area
* Good	Loose stall, proper feeding manger+Once a day access to pound+resting area+excellent ventilation
Above average	Loose stall, proper feeding manger+resting area+good ventilation
Average	Tie stall+proper feeding manger+Resting area+good ventilation
Poor	Tie stall+poor ventilation+ No resting area

International ID	Project ID	Buffalo Name	Breed	Date Of Birth
PKB-TTS-007-003-236	Tag#236	Gulaab	Nili Ravi	11/11/2012



International ID	Project ID	Buffalo Name	Breed	Date Of Birth
PKB-TTS-007-003-237	Tag#237	Sarmai	Nili Ravi	9/2/2012



Current lactation performance		Current Lactation No			2nd	Fat%	Total Solids	Environmental Temp (celcius)	Forage Type
Recording no	Recording Date DD-MM-YYYY	Milk yield (Kg)							
		Morning	Evening	Total					
1	27-Mar-18	6.372	5.89	12.262	5.9	14.789	35	Berseem	
2	27-Apr-18	6.67	6.02	12.69	6	15.522	41	Berseem	
3	27-May-18	6.45	5.98	12.43	6.1	15.394	42	Berseem	
4	27-Jun-18	5.78	4.778	10.558	6.1	14.662	44	Sorghum	
5	27-Jul-18	5.02	4.32	9.34	6.3	15.526	45	Sorghum	
6	27-Aug-18	3.976	3.814	7.79	6.3	15.416	40	Sorghum	
7	27-Sep-18	3.784	3.858	7.642	6.4	15.638	42	Maize	
8	27-Oct-18	4.242	3.336	7.578	6.2	15.638	37	Maize	
9	27-Nov-18	3.22	2.19	6.13	6.5	15.638	34	Maize	

Current lactation performance		Current Lactation No			2nd	Fat%	Total Solids	Environmental Temp (celcius)	Forage Type
Recording no	Recording Date DD-MM-YYYY	Milk yield (Kg)							
		Morning	Evening	Total					
1	27-Mar-18	7.231	6.453	13.684	6.1	14.662	35	Berseem	
2	27-Apr-18	7.02	5.89	12.91	6.2	14.784	41	Berseem	
3	27-May-18	6.56	5.67	12.23	6.5	15.15	42	Berseem	
4	27-Jun-18	6.4	5.35	11.75	6.5	15.16	44	Sorghum	
5	27-Jul-18	5.45	5.02	10.47	6.6	15.272	45	Sorghum	
6	27-Aug-18	4.862	4.212	9.074	6.7	15.394	40	Sorghum	
7	27-Sep-18	4.838	3.922	8.76	6.7	15.394	42	Maize	
8	27-Oct-18	3.814	3.969	7.783	6.8	15.516	37	Maize	
9	27-Nov-18	3.02	2.98	6	6.9	15.638	34	Maize	

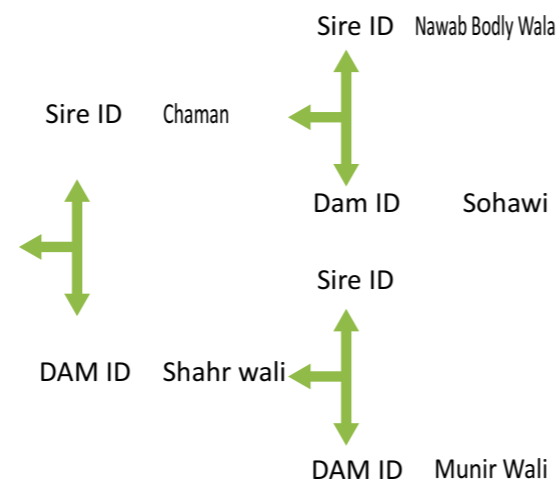
Performance History & Progeny Record

Performance History					Progeny Record		
Lactation no	Date of Calving MM-DD-YYYY	Date of Dry MM-DD-YYYY	Lactation Length	Milk yield (Lit.)	Calf ID	Sire ID	Sex
1	8-12-16	7-22-17	344	13	B-22	QB-1018	MALE
2	1-19-18				B-29	QB-237	MALE
3							

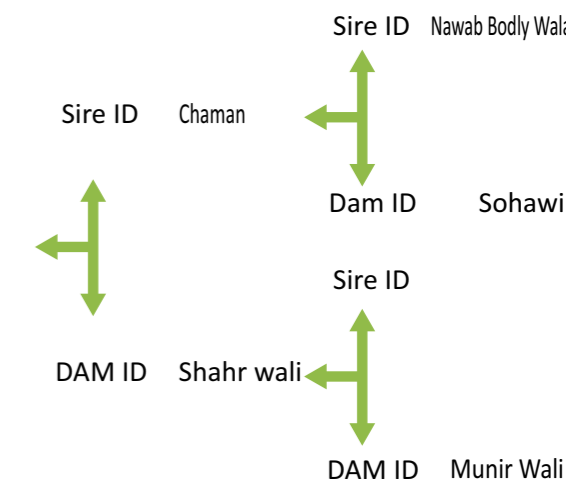
Performance History & Progeny Record

Performance History					Progeny Record		
Lactation no	Date of Calving MM-DD-YYYY	Date of Dry MM-DD-YYYY	Lactation Length	Milk yield (Lit.)	Calf ID	Sire ID	Sex
1	11-19-16	11-12-17	358	2389	B-36	QB-1018	MALE
2	2-2-18					Munda	MALE
3							

International ID	Project ID	Buffalo Name	Breed	Date Of Birth
PKB-TTS-007-003-238	Tag#238	Mor	Nili Ravi	7/2/2013



International ID	Project ID	Buffalo Name	Breed	Date Of Birth
PKB-TTS-007-003-239	Tag#239	Chambeli	Nili Ravi	9/2/2012



Recording no	Recording Date DD-MM-YYYY	Current lactation performance			Current Lactation No		2nd	
		Milk yield (Kg)			Fat%	Total Solids	Environmental Temp (celcius)	Forage Type
		Morning	Evening	Total				
1	27-Mar-18	6.89	6.5	13.39	6.1	14.662	35	Berseem
2	27-Apr-18	7.869	6.926	12.91	6.2	14.784	41	Berseem
3	27-May-18	7.7	6.45	12.23	6.5	15.15	42	Berseem
4	27-Jun-18	6.34	5.45	11.75	6.5	15.16	44	Sorghum
5	27-Jul-18	5.79	4.32	10.47	6.6	15.272	45	Sorghum
6	27-Aug-18	5.32	4.1	9.074	6.7	15.394	40	Sorghum
7	27-Sep-18	5	3.24	8.76	6.7	15.394	42	Maize
8	27-Oct-18	4.5	3.124	7.783	6.8	15.516	37	Maize
9	27-Nov-18	4.32	2.9	6.7	6.9	15.638	34	Maize

Recording no	Recording Date DD-MM-YYYY	Current lactation performance			Current Lactation No		2nd	
		Milk yield (Kg)			Fat%	Total Solids	Environmental Temp (celcius)	Forage Type
		Morning	Evening	Total				
1	27-Mar-18	7.045	6.45	13.495	6.2	14.662	35	Berseem
2	27-Apr-18	6.754	5.9	12.654	6.3	14.784	41	Berseem
3	27-May-18	6.398	5.09	11.654	6.5	15.15	42	Berseem
4	27-Jun-18	5.374	5.071	10.445	6.5	15.16	44	Sorghum
5	27-Jul-18	5.19	3.712	8.902	6.6	15.272	45	Sorghum
6	27-Aug-18	5.69	2.974	8.664	6.7	15.394	40	Sorghum
7	27-Sep-18	4.21	3.476	7.686	6.7	15.394	42	Maize
8	27-Oct-18	3.778	2.57	6.348	6.8	15.516	37	Maize
9	27-Nov-18	3.231	2.32	5.551	6.9	15.638	34	Maize

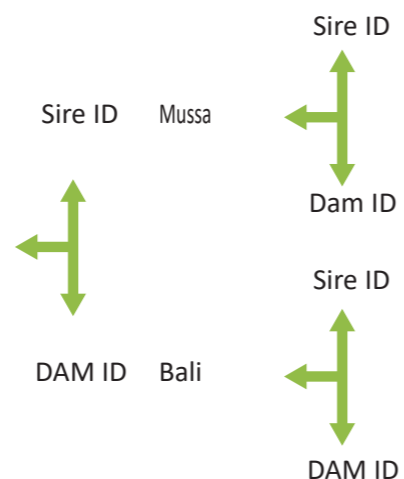
Performance History & Progeny Record

Performance History					Progeny Record		
Lactation no	Date of Calving MM-DD-YYYY	Date of Dry MM-DD-YYYY	Lactation Length	Milk yield (Lit.)	Calf ID	Sire ID	Sex
1	9-2-16	8-22-17	354	2250	B-29	QB-1018	MALE
2	12-30-17				B-35	Munda	MALE
3							

Performance History & Progeny Record

Performance History					Progeny Record		
Lactation no	Date of Calving MM-DD-YYYY	Date of Dry MM-DD-YYYY	Lactation Length	Milk yield (Lit.)	Calf ID	Sire ID	Sex
1	8-12-16	10-23-17	437	2210	B-27	Sanghar	MALE
2	1-22-18				B-33	Munda	MALE
3							

International ID	Project ID	Buffalo Name	Breed	Date Of Birth
PKB-TTS-007-003-240	Tag#240	Nukari	Nili Ravi	5/3/2011



Current lactation performance		Current Lactation No			3rd	Total Solids	Environmental Temp (celcius)	Forage Type
Recording no	Recording Date DD-MM-YYYY	Milk yield (Kg)			Fat%			
		Morning	Evening	Total				
1	27-Mar-18	5.782	4.9	10.682	5.7	14.662	35	Berseem
2	27-Apr-18	6.2	5.4	11.6	5.9	14.784	41	Berseem
3	27-May-18	6.3	6.5	12.8	6.2	15.15	42	Berseem
4	27-Jun-18	6	6.2	12.2	6.3	15.16	44	Sorghum
5	27-Jul-18	5.7	5	10.7	6.3	15.272	45	Sorghum
6	27-Aug-18	5.2	5.4	10.6	6.4	15.394	40	Sorghum
7	27-Sep-18	4.8	5.1	9.9	6.6	15.394	42	Maize
8	27-Oct-18	4.7	5	9.7	6.7	15.516	37	Maize
9	27-Nov-18	4	4.4	8.4	6.7	15.638	34	Maize

Performance History & Progeny Record

Performance History					Progeny Record		
Lactation no	Date of Calving MM-DD-YYYY	Date of Dry MM-DD-YYYY	Lactation Length	Milk yield (Lit.)	Calf ID	Sire ID	Sex
1	10-9-15	9-1-16	328		B-17	Musa's son	Female
2	11-12-16	10-2-17	324		B-23	Musa's son	MALE
3	1-8-18					QB-737	MALE

KS-004

Engr. Mian Sami Ullah



Farmer Detail

Name	Engr. Mian Sami Ullah
Address	Near Dry port Kot Radha Kishen
Contact No	0300-4321957
CNIC	35102-4802697-3

Buffaloes Detail

Adults	Heifers	Calves	Bull	Total
42	36	41	5	124

Star Marked And changed colour is current practice of farmer from below Table

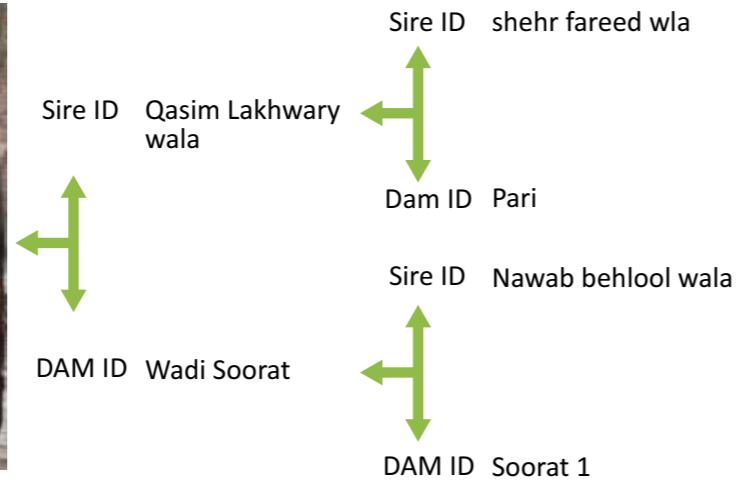
Feeding system

NFS	Necessary feeding system	Total mixed ration @3% Body wieght
* HIFS	High input feeding system	Forage ad lib+ Silage/Hay+Concentrate+free water access
MIFS	Medium input feeding system	Forage ad lib+ occasional Concentrate+free water access
LIFS	Low input feeding system	Forage ad lib+ water access on offering
PIFS	Poor input feeding system	Grazing from communal land+ Water access on offering

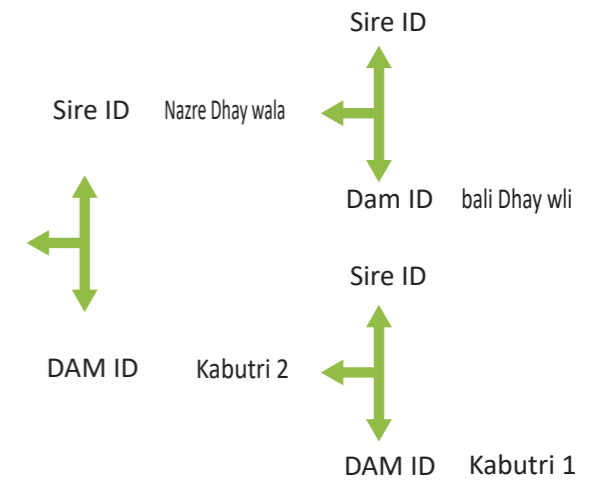
Housing System

Excellent	Loose stall, Proper feeding manger+Free access to pound+excellent Ventilation+Bedding in resting area
* Good	Loose stall, proper feeding manger+Once a day access to pound+resting area+excellent ventilation
Above average	Loose stall, proper feeding manger+resting area+good ventilation
Average	Tie stall+proper feeding manger+Resting area+good ventilation
Poor	Tie stall+poor ventilation+ No resting area

International ID	Project ID	Buffalo Name	Breed	Date Of Birth
PKB-KS-002-004-001	Tag # 01	Soorat	Nili	4/10/2010



International ID	Project ID	Buffalo Name	Breed	Date Of Birth
PKB-KS-002-004-002	Tag # 02	Kabutri	Nili	



Current lactation performance		Milk yield (Kg)			Fat%	Total Solids	Environmental Temp (celcius)	Forage Type
Recording no	Recording Date DD-MM-YYYY	Morning	Evening	Total				
1	1-Mar-18	8.421	8.195	16.616	6.4	15..278	32	Berseem
2	1-Apr-18	7.527	8	15.527	6.5	15.4	37	Berseem
3	1-May-18	7.198	7.518	14.716	6.5	15.4	41	Berseem
4	1-Jun-18	6.627	6.395	13.022	6..7	15.644	45	Sorghum
5	1-Jul-18	5.927	5.126	11.053	6.3	15.156	44	Sorghum
6	1-Aug-18	5.298	4.924	10.222	6.8	15.766	41	Sorghum
7	1-Sep-18	4.196	4.295	8.491	7.1	16.132	39	Maize
8	1-Oct-18	3.495	4.18	7.675	6.9	15.888	35	Maize
9	1-Nov-18	2.517	1.524	4.041	7.2	16.254	33	Maize

Current lactation performance		Milk yield (Kg)			Fat%	Total Solids	Environmental Temp (celcius)	Forage Type
Recording no	Recording Date DD-MM-YYYY	Morning	Evening	Total				
1	1-Mar-18	7.514	7	14.514	6.4	15..278	32	Berseem
2	1-Apr-18	7.154	6.514	13.668	6.5	15.4	37	Berseem
3	1-May-18	6.517	6.214	12.731	6.5	15.4	41	Berseem
4	1-Jun-18	6.184	6	12.184	6..7	15.644	45	Sorghum
5	1-Jul-18	5.814	5.418	11.232	6.3	15.156	44	Sorghum
6	1-Aug-18	5	5.217	10.217	6.8	15.766	41	Sorghum
7	1-Sep-18	4.324	Nil	4.324	7.1	16.132	39	Maize
8	1-Oct-18	4.195	3.214	7.409	6.9	15.888	35	Maize
9	1-Nov-18	2.514	1.2	3.714	7.2	16.254	33	Maize

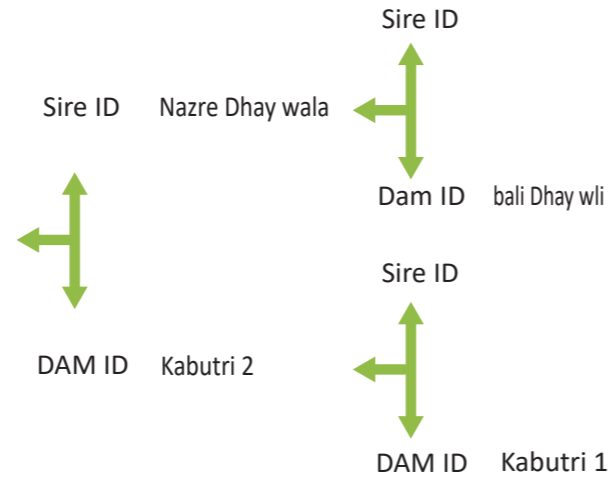
Performance History & Progeny Record

Performance History					Progeny Record		
Lactation no	Date of Calving MM-DD-YYYY	Date of Dry MM-DD-YYYY	Lactation Length	Milk yield (Lit.)	Calf ID	Sire ID	Sex
1	12-16-16	11-26-17	325		B-129	Sikandar	Female
2	1-18-18	1-1-19	348		B-214	Hero	Female
3							

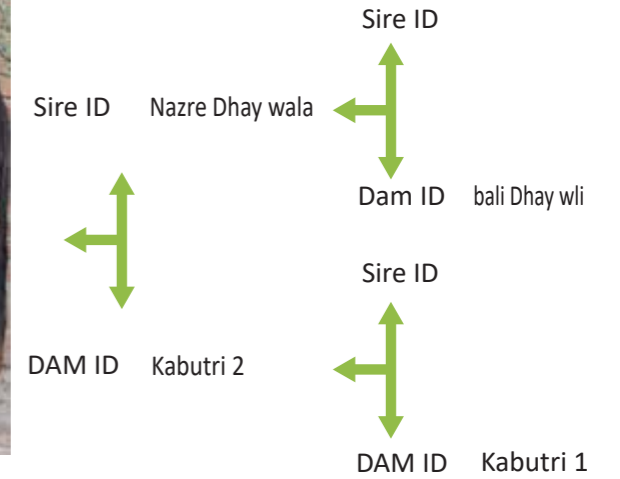
Performance History & Progeny Record

Performance History					Progeny Record		
Lactation no	Date of Calving MM-DD-YYYY	Date of Dry MM-DD-YYYY	Lactation Length	Milk yield (Lit.)	Calf ID	Sire ID	Sex
1	11-3-15	10-13-16	340	2130	B-67	Sikandar	Female
2	12-3-16	11-16-17	338	2641	B-154	Sikandar	Female
3	1-29-18	12-30-18	335		B-216	Harni	Female

Internal ID	Project ID	Buffalo Name	Breed	Date Of Birth
PKB-KS-002-004-003	Tag # 03	Laal Pari	Nili	



International ID	Project ID	Buffalo Name	Breed	Date Of Birth
PKB-KS-002-004-004	Tag # 04	mastani	Nili Ravi	



Current lactation performance		Current Lactation No			3rd			
Recording no	Recording Date DD-MM-YYYY	Milk yield (Kg)			Fat%	Total Solids	Environmental Temp (celcius)	Forage Type
		Morning	Evening	Total				
1	1-Mar-18	7.14	7	14.514	6.4	15..278	32	Berseem
2	1-Apr-18	6.85	6.514	13.668	6.5	15.4	37	Berseem
3	1-May-18	5.924	6.214	12.731	6.5	15.4	41	Berseem
4	1-Jun-18	5.321	6	12.184	6..7	15.644	45	Sorghum
5	1-Jul-18	5	5.418	11.232	6.3	15.156	44	Sorghum
6	1-Aug-18	4.632	5.217	10.217	6.8	15.766	41	Sorghum
7	1-Sep-18	4.218	Nil	4.324	7.1	16.132	39	Maize
8	1-Oct-18	3.824	3.214	7.409	6.9	15.888	35	Maize
9	1-Nov-18	3.5	1.2	3.714	7.2	16.254	33	Maize

Current lactation performance		Current Lactation No			3rd			
Recording no	Recording Date DD-MM-YYYY	Milk yield (Kg)			Fat%	Total Solids	Environmental Temp (celcius)	Forage Type
		Morning	Evening	Total				
1	1-Mar-18	9.154	9.415	18.569	6.4	15..278	32	Berseem
2	1-Apr-18	8.544	8.514	17.058	6.5	15.4	37	Berseem
3	1-May-18	8.154	8.614	16.768	6.5	15.4	41	Berseem
4	1-Jun-18	7.428	7.154	14.582	6..7	15.644	45	Sorghum
5	1-Jul-18	7.154	7.481	14.635	6.3	15.156	44	Sorghum
6	1-Aug-18	6.32	5.124	11.534	6.8	15.766	41	Sorghum
7	1-Sep-18	5.51	4.324	9.834	7.1	16.132	39	Maize
8	1-Oct-18	4.214	3.514	7.728	6.9	15.888	35	Maize
9	1-Nov-18	3.5	2.94	6.44	7.2	16.254	33	Maize

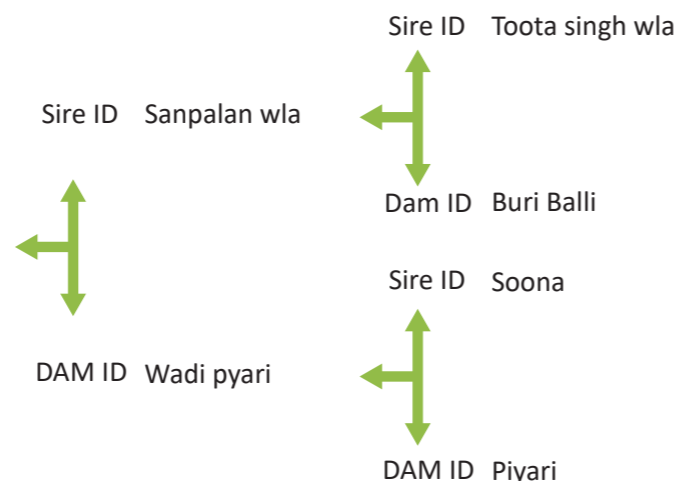
Performance History & Progeny Record

Performance History					Progeny Record		
Lactation no	Date of Calving MM-DD-YYYY	Date of Dry MM-DD-YYYY	Lactation Length	Milk yield (Lit.)	Calf ID	Sire ID	Sex
1	11-3-15	10-13-16	340	2070	B-67	Sikandar	Female
2	12-3-16	11-16-17	338	2940	B-154	Sikandar	Female
3	1-29-18	12-30-18	335		B-216	Harni	Female

Performance History & Progeny Record

Performance History					Progeny Record		
Lactation no	Date of Calving MM-DD-YYYY	Date of Dry MM-DD-YYYY	Lactation Length	Milk yield (Lit.)	Calf ID	Sire ID	Sex
1	11-21-15	10-10-16	339	1970	B-45	Sikandar	Female
2	1-15-17	12-16-18	353	2715	B-139	Sikandar	Female
3	3-10-18	1-19-19	280		B-201	Harni	Female

International ID	Project ID	Buffalo Name	Breed	Date Of Birth
PKB-KS-002-004-005	Tag # 05	Piyari	Nili Ravi	



Recording no	Recording Date DD-MM-YYYY	Milk yield (Kg)			Fat%	Total Solids	Environmental Temp (celcius)	Forage Type
		Morning	Evening	Total				
1	1-Mar-18	9.424	9	18.424	6.4	15..278	32	Berseem
2	1-Apr-18	9.154	8.514	17.668	6.5	15.4	37	Berseem
3	1-May-18	9.524	8.16	16.684	6.5	15.4	41	Berseem
4	1-Jun-18	7.154	7.418	14.572	6..7	15.644	45	Sorghum
5	1-Jul-18	6.517	6.914	13.431	6.3	15.156	44	Sorghum
6	1-Aug-18	5.274	5.214	10.488	6.8	15.766	41	Sorghum
7	1-Sep-18	Nil	8.936	8.936	7.1	16.132	39	Maize
8	1-Oct-18	4.185	3.524	7.709	6.9	15.888	35	Maize
9	1-Nov-18	3.284	2.596	5.88	7.2	16.254	33	Maize

Performance History & Progeny Record

Performance History					Progeny Record		
Lactation no	Date of Calving MM-DD-YYYY	Date of Dry MM-DD-YYYY	Lactation Length	Milk yield (Lit.)	Calf ID	Sire ID	Sex
1	11-9-14	11-12-15	358	3140	B-102	Sikandar	Female
2	12-7-16	7-21-17	335	3790	B-177	Sikandar	Female
3	1-26-18	2-12-18	331		B-209	QB-1018	Female

FD-005

Ch. Basharat Aziz Jaspal



Farmer Detail

Name	Basharat Aziz Jaspal
Address	Chack 71 JB,Sarli Jhang road Fasilabad
Contact No	0300-7625625
CNIC	33100-5184433-5

Buffaloes Detail

Adults	Heifers	Calves	Bull	Total
175	70	105	3	353

Star Marked And changed colour is current practice of farmer from below Table

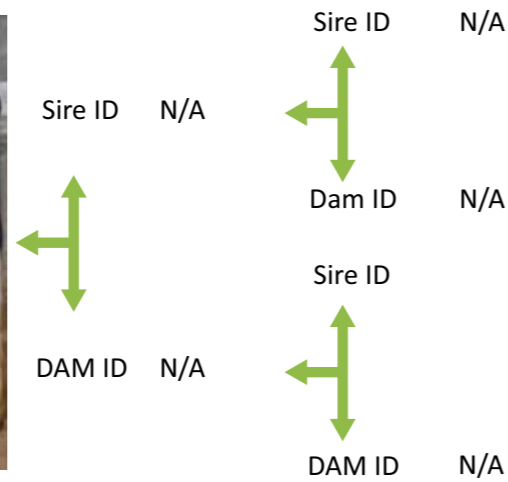
Feeding system

NFS	Necessary feeding system	Total mixed ration @3% Body wieght
* HIFS	High input feeding system	Forage ad lib+ Silage/Hay+Concentrate+free water access
MIFS	Medium input feeding system	Forage ad lib+ occasional Concentrate+free water access
LIFS	Low input feeding system	Forage ad lib+ water access on offering
PIFS	Poor input feeding system	Grazing from communal land+ Water access on offering

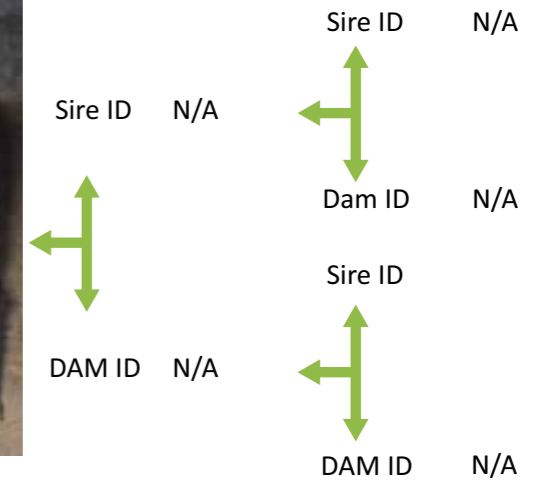
Housing System

Excellent	Loose stall,Proper feeding manger+Free access to pound+excellent Ventilation+Bedding in resting area
* Good	Loose stall, proper feeding manger+Once a day access to pound+resting area+excellent ventilation
Above average	Loose stall, proper feeding manger+resting area+good ventilation
Average	Tie stall+proper feeding manger+Resting area+good ventilation
Poor	Tie stall+poor ventilation+ No resting area

International ID	Project ID	Buffalo Name	Breed	Date Of Birth
PKB-FSD-005-005-241	Tag#241	SB-531	Nili	N/A



International ID	Project ID	Buffalo Name	Breed	Date Of Birth
PKB-FSD-005-005-242	Tag#242	sb-725	Nili-Ravi	N/A



Current lactation performance		Current Lactation No			2nd	Fat%	Total Solids	Environmental Temp (celcius)	Forage Type
Recording no	Recording Date DD-MM-YYYY	Milk yield (Kg)							
		Morning	Evening	Total					
1	25-Mar-18	8.954	9.999	18.944	5.8	14.546	32	Silage	
2	25-Apr-18	9.1	8.985	18.085	5.9	14.668	39	Silage	
3	25-May-18	8.2	8.6	16.8	5.9	14.668	42	Silage	
4	25-Jun-18	7.67	8.05	15.72	5.9	14.668	45	Silage	
5	25-Jul-18	7.2	7.3	14.5	6	14.79	44	Silage	
6	25-Aug-18	5.05	5.75	10.8	6.1	14.912	39	Silage	
7	25-Sep-18	1.1	1.2	2.3	6.2	15.034	41	Silage	
8	25-Oct-18	0	0	0	0	0	36	Silage	
9	25-Nov-18	0	0	0	0	0	35	Silage	

Current lactation performance		Current Lactation No			2nd	Fat%	Total Solids	Environmental Temp (celcius)	Forage Type
Recording no	Recording Date DD-MM-YYYY	Milk yield (Kg)							
		Morning	Evening	Total					
1	25-Mar-18	9.89	10.432	20.322	5.7	14.424	32	Silage	
2	25-Apr-18	9.842	8.532	18.374	5.9	14.668	39	Silage	
3	25-May-18	8.8	7.25	16.05	6.1	14.668	42	Silage	
4	25-Jun-18	8.1	8.8	16.9	6.2	14.668	45	Silage	
5	25-Jul-18	8.2	8.7	16.9	6.2	14.79	44	Silage	
6	25-Aug-18	5.45	5.4	10.85	6.1	14.912	39	Silage	
7	25-Sep-18	4.35	5.25	9.6	6.2	15.034	41	Silage	
8	25-Oct-18	4	5	9	6.3	15.156	36	Silage	
9	25-Nov-18	3.5	4.5	8	6.4	15.278	35	Silage	

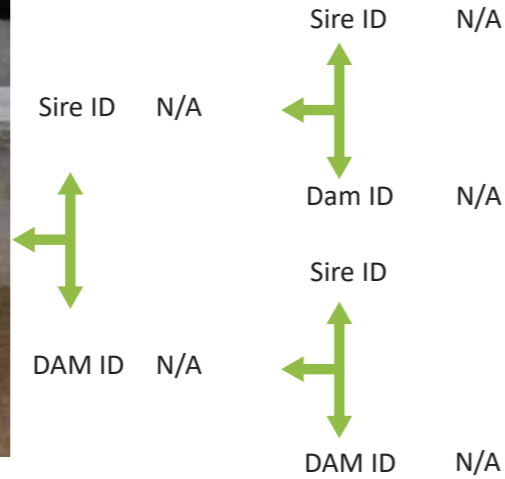
Performance History & Progeny Record

Performance History					Progeny Record		
Lactation no	Date of Calving MM-DD-YYYY	Date of Dry MM-DD-YYYY	Lactation Length	Milk yield (Lit.)	Calf ID	Sire ID	Sex
1	N/A	N/A	N/A	N/A	N/A	N/A	N/A
2	1-12-18					N/A	Female
3							

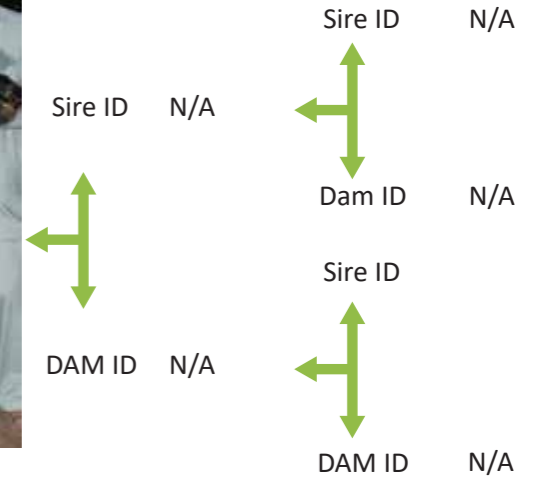
Performance History & Progeny Record

Performance History					Progeny Record		
Lactation no	Date of Calving MM-DD-YYYY	Date of Dry MM-DD-YYYY	Lactation Length	Milk yield (Lit.)	Calf ID	Sire ID	Sex
1	N/A	N/A	N/A	N/A	N/A	N/A	N/A
2	12-29-17					N/A	Female
3							

International ID	Project ID	Buffalo Name	Breed	Date Of Birth
PKB-FSD-005-005-243	Tag#243	SB-749	Nili-Ravi	N/A



International ID	Project ID	Buffalo Name	Breed	Date Of Birth
PKB-FSD-005-005-245	Tag#245	SB-857	Nili-Ravi	N/A



Current lactation performance		Current Lactation No			4th			
Recording no	Recording Date DD-MM-YYYY	Milk yield (Kg)			Fat%	Total Solids	Environmental Temp (celcius)	Forage Type
		Morning	Evening	Total				
1	25-Mar-18	10.21	10.45	20.6	6.1	14.424	32	Silage
2	25-Apr-18	8.7	8.9	17.6	6.2	14.668	39	Silage
3	25-May-18	8.1	8.4	16.5	6.3	14.668	42	Silage
4	25-Jun-18	8	8.3	16.3	6.4	14.668	45	Silage
5	25-Jul-18	7.23	7.3	14.53	6.5	14.79	44	Silage
6	25-Aug-18	4.05	5.35	9.4	6.5	14.912	39	Silage
7	25-Sep-18	5.85	5.3	11.15	6.5	15.034	41	Silage
8	25-Oct-18	4.27	3.1	7.37	6.6	15.156	36	Silage
9	25-Nov-18	4	3	7	6.7	15.278	35	Silage

Current lactation performance		Current Lactation No			3rd			
Recording no	Recording Date DD-MM-YYYY	Milk yield (Kg)			Fat%	Total Solids	Environmental Temp (celcius)	Forage Type
		Morning	Evening	Total				
1	25-Mar-18	10.9	9.3	20.2	6.1	14.912	32	Silage
2	25-Apr-18	10.356	8.965	19.321	6.2	15.034	39	Silage
3	25-May-18	8.97	7.7	16.67	6.2	15.034	42	Silage
4	25-Jun-18	7.9	7.8	15.7	6.2	15.034	45	Silage
5	25-Jul-18	7.05	8.35	15.4	6.2	15.034	44	Silage
6	25-Aug-18	5.9	5.5	11.4	6.3	15.156	39	Silage
7	25-Sep-18	3.7	3.4	7.1	6.4	15.278	41	Silage
8	25-Oct-18	4	3.75	7.75	6.5	15.4	36	Silage
9	25-Nov-18	2	3	5	6.8	15.766	35	Silage

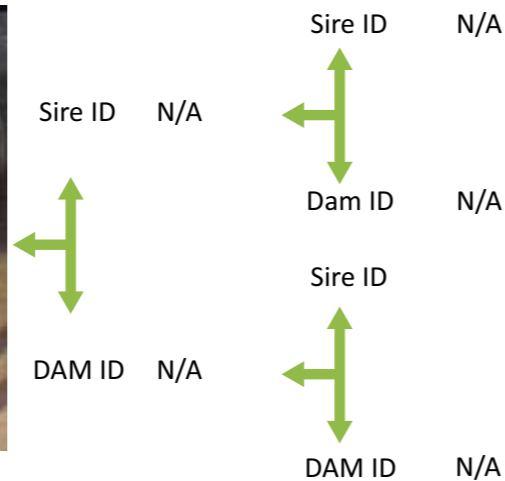
Performance History & Progeny Record

Performance History					Progeny Record		
Lactation no	Date of Calving MM-DD-YYYY	Date of Dry MM-DD-YYYY	Lactation Length	Milk yield (Lit.)	Calf ID	Sire ID	Sex
1	N/A	N/A	N/A	N/A	N/A	N/A	N/A
2	1-22-18					N/A	Male
3							

Performance History & Progeny Record

Performance History					Progeny Record		
Lactation no	Date of Calving MM-DD-YYYY	Date of Dry MM-DD-YYYY	Lactation Length	Milk yield (Lit.)	Calf ID	Sire ID	Sex
1	N/A	N/A	N/A	N/A	N/A	N/A	N/A
2	2-1-18					N/A	Male
3							

International ID	Project ID	Buffalo Name	Breed	Date Of Birth
PKB-FSD-005-005-244	Tag#244	sb-856	Nili-Ravi	N/A



Current lactation performance		Current Lactation No			2nd	Total Solids	Environmental Temp (celcius)	Forage Type
Recording no	Recording Date DD-MM-YYYY	Milk yield (Kg)			Fat%			
		Morning	Evening	Total				
1	25-Mar-18	8.2	8.6	16.8	5.9	14.424	32	Silage
2	25-Apr-18	8	8.2	16.2	6	14.668	39	Silage
3	25-May-18	7.25	7.6	14.85	6.1	14.668	42	Silage
4	25-Jun-18	7	6.6	13.6	6.2	14.668	45	Silage
5	25-Jul-18	6.2	6.6	12.8	6.3	14.79	44	Silage
6	25-Aug-18	4.5	4.5	9	6.4	14.912	39	Silage
7	25-Sep-18	4	4.6	8.6	6.5	15.034	41	Silage
8	25-Oct-18	3.1	3.6	6.7	6.8	15.156	36	Silage
9	25-Nov-18	3.2	2.2	5.4	6.9	15.278	35	Silage

Performance History & Progeny Record

Performance History					Progeny Record		
Lactation no	Date of Calving MM-DD-YYYY	Date of Dry MM-DD-YYYY	Lactation Length	Milk yield (Lit.)	Calf ID	Sire ID	Sex
1	N/A	N/A	N/A	N/A	N/A	N/A	N/A
2	1-15-18					N/A	Female
3							

KB-006

Ch. Abdul Jabbar Maan



Farmer Detail

Name	Ch. Abdul Jabbar Maan
Address	296 GB, Khekha bangla
Contact No	0300-6569583
CNIC	33303-0935066-9

Buffaloes Detail

Adults	Heifers	Calves	Bull	Total
45	25	35	1	106

Star Marked And changed colour is current practice of farmer from below Table

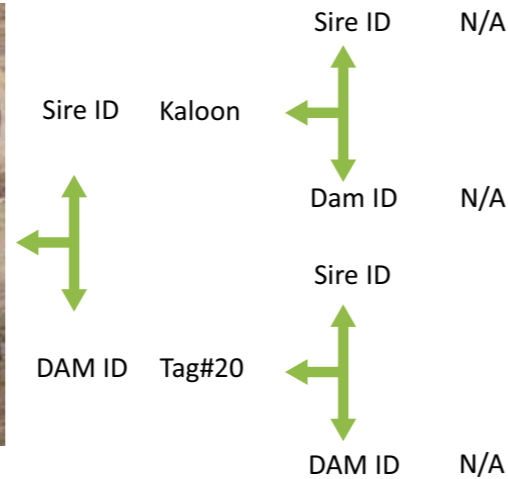
Feeding system

NFS	Necessary feeding system	Total mixed ration @3% Body weight
* HIFS	High input feeding system	Forage ad lib+ Silage/Hay+Concentrate+free water access
MIFS	Medium input feeding system	Forage ad lib+ occasional Concentrate+free water access
LIFS	Low input feeding system	Forage ad lib+ water access on offering
PIFS	Poor input feeding system	Grazing from communal land+ Water access on offering

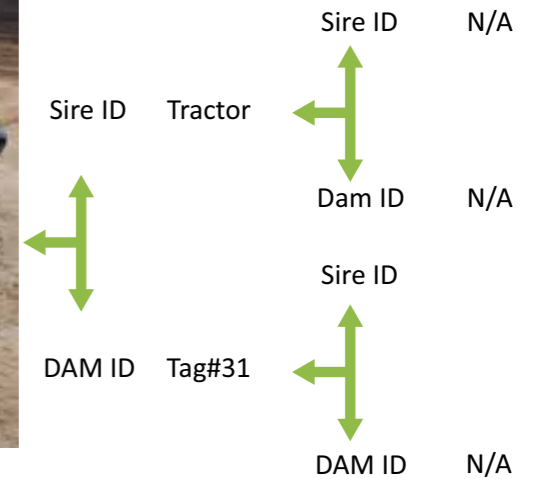
Housing System

Excellent	Loose stall, Proper feeding manger+Free access to pound+excellent Ventilation+Bedding in resting area
* Good	Loose stall, proper feeding manger+Once a day access to pound+resting area+excellent ventilation
Above average	Loose stall, proper feeding manger+resting area+good ventilation
Average	Tie stall+proper feeding manger+Resting area+good ventilation
Poor	Tie stall+poor ventilation+ No resting area

International ID	Project ID	Buffalo Name	Breed	Date Of Birth
PKB-TTB-007-017-231	Tag#231	Tag#70	Nili	N/A



International ID	Project ID	Buffalo Name	Breed	Date Of Birth
PKB-TTB-007-017-232	Tag#232	Tag#67	Nili	N/A



Current lactation performance		Current Lactation No			2nd	Fat%	Total Solids	Environmental Temp (celcius)	Forage Type
Recording no	Recording Date DD-MM-YYYY	Milk yield (Kg)							
		Morning	Evening	Total					
1	3-Mar-18	5.5	5.9	11.4	5.8	14.546	31	Silage	
2	3-Apr-18	6.2	6.8	13	5.9	14.668	38	Silage	
3	3-May-18	6.5	7.5	14	5.9	14.668	42	Silage	
4	3-Jun-18	6.57	7	13.57	5.9	14.668	45	Silage	
5	3-Jul-18	5.55	5.44	10.99	6	14.79	44	Silage	
6	3-Aug-18	4.328	4.358	8.686	6.1	14.912	39	Silage	
7	3-Sep-18	4.606	4.785	9.391	6.2	15.034	41	Silage	
8	3-Oct-18	4	4.2	8.2	0	0	36	Silage	
9	3-Nov-18	5	0	5	0	0	35	Silage	

Current lactation performance		Current Lactation No			2nd	Fat%	Total Solids	Environmental Temp (celcius)	Forage Type
Recording no	Recording Date DD-MM-YYYY	Milk yield (Kg)							
		Morning	Evening	Total					
1	3-Mar-18	6.34	7.43	13.77	5.7	14.546	31	Silage	
2	3-Apr-18	7.2	7.8	15	5.9	14.668	38	Silage	
3	3-May-18	6.87	6.486	13.356	6.1	14.668	42	Silage	
4	3-Jun-18	6	5.9	11.9	6.2	14.668	45	Silage	
5	3-Jul-18	4.894	4.948	9.842	6.2	14.79	44	Silage	
6	3-Aug-18	2.65	3.054	5.704	6.1	14.912	39	Silage	
7	3-Sep-18	0	2.326	2.326	6.2	15.034	41	Silage	
8	3-Oct-18	0	0	0	0	0	36	Silage	
9	3-Nov-18	0	0	0	0	0	35	Silage	

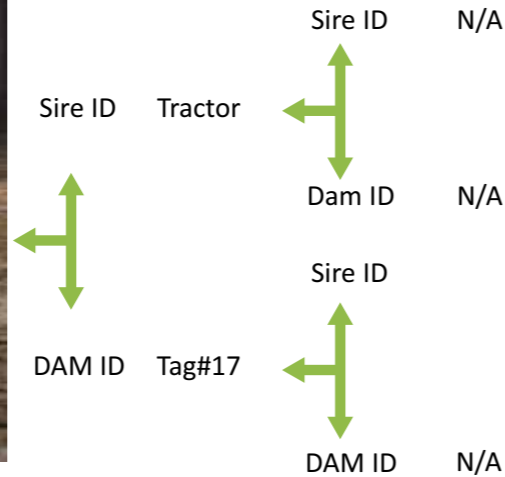
Performance History & Progeny Record

Performance History					Progeny Record		
Lactation no	Date of Calving MM-DD-YYYY	Date of Dry MM-DD-YYYY	Lactation Length	Milk yield (Lit.)	Calf ID	Sire ID	Sex
1	9-25-16	8-10-17	319	2131	B-117	TTS-B8-5	Male
2	1-12-18				B-169	TTS-B8-5	Female
3							

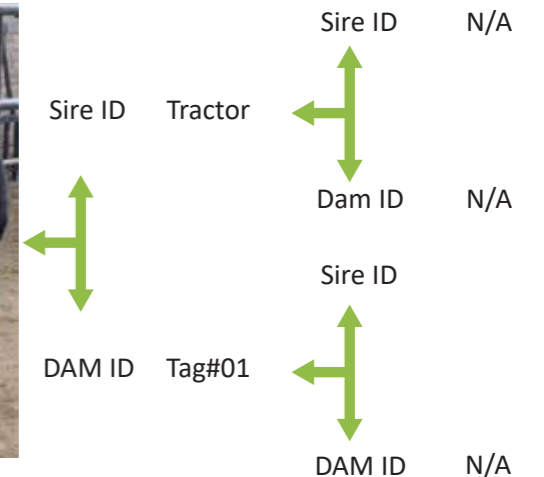
Performance History & Progeny Record

Performance History					Progeny Record		
Lactation no	Date of Calving MM-DD-YYYY	Date of Dry MM-DD-YYYY	Lactation Length	Milk yield (Lit.)	Calf ID	Sire ID	Sex
1	10-14-16	9-1-17	322	2343	B-112	NA	Female
2	1-12-18					TTS-B8-5	Male
3							

International ID	Project ID	Buffalo Name	Breed	Date Of Birth
PKB-TTB-007-017-233	Tag#233	Tag#30	Nili	N/A



International ID	Project ID	Buffalo Name	Breed	Date Of Birth
PKB-TTB-007-017-234	Tag#234	Tag#23	Nili	N/A



Current lactation performance		Current Lactation No			2nd			
Recording no	Recording Date DD-MM-YYYY	Milk yield (Kg)			Fat%	Total Solids	Environmental Temp (celcius)	Forage Type
		Morning	Evening	Total				
1	3-Mar-18	7.8	8.5	16.3	6.1	14.546	31	Silage
2	3-Apr-18	7	8	15	6.2	14.668	38	Silage
3	3-May-18	7.2	7.8	15	6.3	14.668	42	Silage
4	3-Jun-18	5.4	6.5	11.9	6.4	14.668	45	Silage
5	3-Jul-18	5.1	5.3	10.4	6.5	14.79	44	Silage
6	3-Aug-18	4.7	4.2	8.9	6.5	14.912	39	Silage
7	3-Sep-18	4.2	3.2	7.4	6.5	15.034	41	Silage
8	3-Oct-18	3.4	2	5.4	6.6	15.156	36	Silage
9	3-Nov-18	2.4	2	4.4	6.7	15.278	35	Silage

Current lactation performance		Current Lactation No			3rd			
Recording no	Recording Date DD-MM-YYYY	Milk yield (Kg)			Fat%	Total Solids	Environmental Temp (celcius)	Forage Type
		Morning	Evening	Total				
1	3-Mar-18	6.34	7.8	14.14	5.9	14.546	31	Silage
2	3-Apr-18	7.2	7.3	14.5	6	14.668	38	Silage
3	3-May-18	6.87	7.2	14.07	6.1	14.668	42	Silage
4	3-Jun-18	6	5.4	11.4	6.2	14.668	45	Silage
5	3-Jul-18	4.894	5.1	9.994	6.3	14.79	44	Silage
6	3-Aug-18	4.2	4.7	8.9	6.4	14.912	39	Silage
7	3-Sep-18	4	4.2	8.2	6.5	15.034	41	Silage
8	3-Oct-18	3.2	3.4	6.6	6.8	15.156	36	Silage
9	3-Nov-18	3	2.4	5.4	6.9	15.278	35	Silage

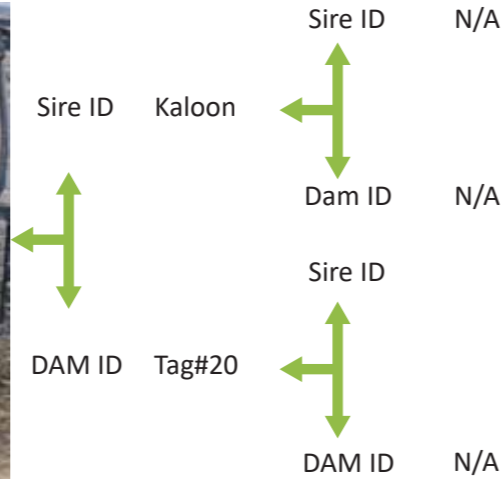
Performance History & Progeny Record

Performance History					Progeny Record		
Lactation no	Date of Calving MM-DD-YYYY	Date of Dry MM-DD-YYYY	Lactation Length	Milk yield (Lit.)	Calf ID	Sire ID	Sex
1	8-16-16	9-19-17	399	3037	NA	NA	Male
2	1-9-18					TTS-B8-5	Male
3							

Performance History & Progeny Record

Performance History					Progeny Record		
Lactation no	Date of Calving MM-DD-YYYY	Date of Dry MM-DD-YYYY	Lactation Length	Milk yield (Lit.)	Calf ID	Sire ID	Sex
1	N/A				NA	NA	Female
2	N/A				B-14	TTS-B8-5	Female
3	1-15-18				B-124	TTS-B8-5	Female

International ID	Project ID	Buffalo Name	Breed	Date Of Birth
PKB-TTB-007-017-235	Tag#235	Tag#075	Nili	N/A



Current lactation performance		Current Lactation No			1st	Fat%	Total Solids	Environmental Temp (celcius)	Forage Type
Recording no	Recording Date DD-MM-YYYY	Milk yield (Kg)							
		Morning	Evening	Total					
1	3-Mar-18	8.2	7.3	15.5	6.1	14.912	31	Silage	
2	3-Apr-18	7.5	8.34	15.84	6.2	15.034	38	Silage	
3	3-May-18	6.204	6.854	13.058	6.2	15.034	42	Silage	
4	3-Jun-18	5.67	6.57	12.24	6.2	15.034	45	Silage	
5	3-Jul-18	6.7	6.23	12.93	6.2	15.034	44	Silage	
6	3-Aug-18	5.43	4.9	10.33	6.3	15.156	39	Silage	
7	3-Sep-18	5.3	4.9	10.2	6.4	15.278	41	Silage	
8	3-Oct-18	5.26	4.85	10.11	6.5	15.4	36	Silage	
9	3-Nov-18	4.2	3.2	7.4	6.8	15.766	35	Silage	

Performance History & Progeny Record

Performance History					Progeny Record		
Lactation no	Date of Calving MM-DD-YYYY	Date of Dry MM-DD-YYYY	Lactation Length	Milk yield (Lit.)	Calf ID	Sire ID	Sex
1	2-1-18				B-115	TTS-B8-5	Female
2							
3							

FD-007

Ch. Ejaz Ahmed Maan



Farmer Detail

Name	Ch. Ejaz Ahmed Maan
Address	Maan street, Mahala Muslim Ganj Shiekhupura
Contact No	0300-4844497
CNIC	35404-1559446-7

Buffaloes Detail

Adults	Heifers	Calves	Bull	Total
50	18	35	9	112

Star Marked And changed colour is current practice of farmer from below Table

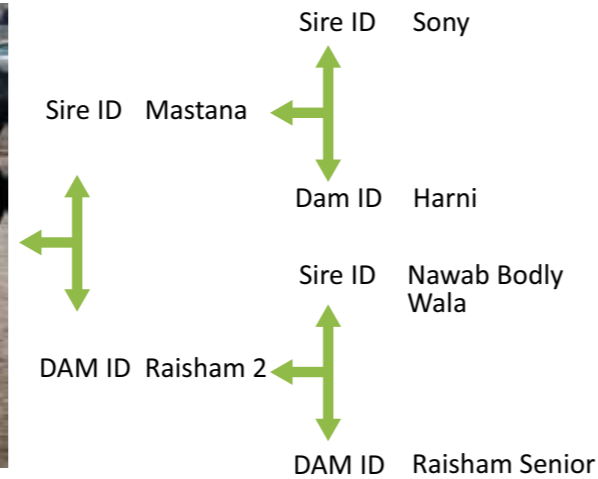
Feeding system

NFS	Necessary feeding system	Total mixed ration @3% Body wieght
* HIFS	High input feeding system	Forage ad lib+ Silage/Hay+Concentrate+free water access
MIFS	Medium input feeding system	Forage ad lib+ occasional Concentrate+free water access
LIFS	Low input feeding system	Forage ad lib+ water access on offering
PIFS	Poor input feeding system	Grazing from communal land+ Water access on offering

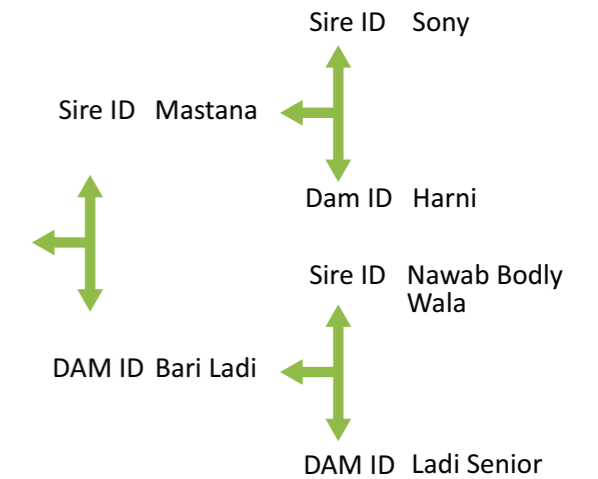
Housing System

Excellent	Loose stall, Proper feeding manger+Free access to pound+excellent Ventilation+Bedding in resting area
* Good	Loose stall, proper feeding manger+Once a day access to pound+resting area+excellent ventilation
Above average	Loose stall, proper feeding manger+resting area+good ventilation
Average	Tie stall+proper feeding manger+Resting area+good ventilation
Poor	Tie stall+poor ventilation+ No resting area

International ID	Project ID	Buffalo Name	Breed	Date Of Birth
PKB-NS-006-007-178	Tag#178	Rasham	Nili	8/19/2013



International ID	Project ID	Buffalo Name	Breed	Date Of Birth
PKB-NS-006-007-190	Tag#190	Ladi	Nili	4/9/2013



Current lactation performance		Milk yield (Kg)			Fat%	Total Solids	Environmental Temp (celcius)	Forage Type
Recording no	Recording Date DD-MM-YYYY	Morning	Evening	Total				
1	29-Mar-18	6.43	7.25	13.68	6.1	14.424	31	Berseem
2	29-Apr-18	7.756	7	14.756	6.2	14.668	38	Berseem
3	29-May-18	6.9	6.2	13.1	6.3	14.912	42	Sorghum
4	29-Jun-18	8.2	5.6	13.8	6.4	15.034	45	Sorghum
5	29-Jul-18	7.3	4.8	12.1	6.5	15.034	44	Sorghum
6	29-Aug-18	4.1	4.3	8.4	6.7	14.912	39	Maize
7	29-Sep-18	4.05	4	8.05	6.8	15.034	41	Maize
8	29-Oct-18	3.428	3.1	6.528	6.8	15.156	36	Maize
9	29-Nov-18	3	3.2	6.2	6.9	15.278	35	Maize

Current lactation performance		Milk yield (Kg)			Fat%	Total Solids	Environmental Temp (celcius)	Forage Type
Recording no	Recording Date DD-MM-YYYY	Morning	Evening	Total				
1	29-Mar-18	6.34	7.43	13.77	6.1	14.424	31	Berseem
2	29-Apr-18	7.2	7.8	15	6.2	14.668	38	Berseem
3	29-May-18	6.34	7.43	13.77	6.3	14.912	42	Sorghum
4	29-Jun-18	7.2	7.8	15	6.4	15.034	45	Sorghum
5	29-Jul-18	6.87	6.486	13.356	6.5	15.034	44	Sorghum
6	29-Aug-18	6	5.9	11.9	6.7	14.912	39	Maize
7	29-Sep-18	4.894	4.948	9.842	6.8	15.034	41	Maize
8	29-Oct-18	2.65	3.054	5.704	6.8	15.156	36	Maize
9	29-Nov-18	0	2.326	2.326	6.9	15.278	35	Maize

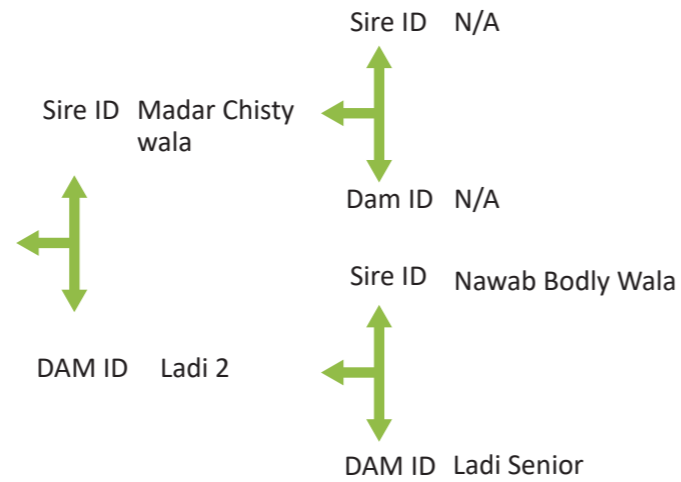
Performance History & Progeny Record

Performance History					Progeny Record		
Lactation no	Date of Calving MM-DD-YYYY	Date of Dry MM-DD-YYYY	Lactation Length	Milk yield (Lit.)	Calf ID	Sire ID	Sex
1	9-21-16	9-13-17	357	2109	Parawa	Parwana	Male
2	2-2-18				Parawa	Laal	Female
3							

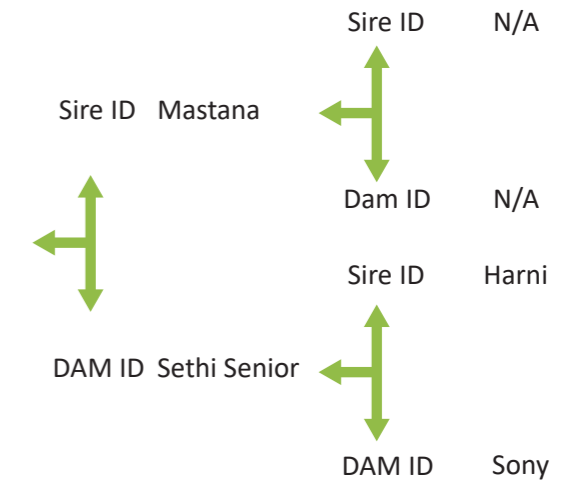
Performance History & Progeny Record

Performance History					Progeny Record		
Lactation no	Date of Calving MM-DD-YYYY	Date of Dry MM-DD-YYYY	Lactation Length	Milk yield (Lit.)	Calf ID	Sire ID	Sex
1	11-10-16	9-19-17	313	1983	Bilo	Parwana	Female
2	1-21-18				B-17	Laal	Male
3							

Internal ID	Project ID	Buffalo Name	Breed	Date Of Birth
PKB-NS-006-007-179	Tag#179	Bari Ladi	Nili	2/5/2011



International ID	Project ID	Buffalo Name	Breed	Date Of Birth
PKB-NS-006-007-180	Tag#180	sethi	Nili	3/19/2011



Current lactation performance		Milk yield (Kg)			Fat%	Total Solids	Environmental Temp (celcius)	Forage Type
Recording no	Recording Date DD-MM-YYYY	Morning	Evening	Total				
1	29-Mar-18	7.8	7.9	15.7	6.1	14.424	31	Berseem
2	29-Apr-18	7	7.05	14.05	6.2	14.668	38	Berseem
3	29-May-18	7.2	5.9	13.1	6.3	14.912	42	Sorghum
4	29-Jun-18	5.4	5.2	10.6	6.4	15.034	45	Sorghum
5	29-Jul-18	5.1	4.8	9.9	6.5	15.034	44	Sorghum
6	29-Aug-18	4.7	4	8.7	6.7	14.912	39	Maize
7	29-Sep-18	4.2	3.7	7.9	6.8	15.034	41	Maize
8	29-Oct-18	3.4	4	7.4	6.8	15.156	36	Maize
9	29-Nov-18	2.4	2	4.4	6.9	15.278	35	Maize

Current lactation performance		Milk yield (Kg)			Fat%	Total Solids	Environmental Temp (celcius)	Forage Type
Recording no	Recording Date DD-MM-YYYY	Morning	Evening	Total				
1	29-Mar-18	9.2	8.01	17.21	6.1	14.424	31	Berseem
2	29-Apr-18	8.7	8.9	17.6	6.2	14.668	38	Berseem
3	29-May-18	8.1	8.4	16.5	6.3	14.912	42	Sorghum
4	29-Jun-18	8	8.3	16.3	6.4	15.034	45	Sorghum
5	29-Jul-18	7.23	7.3	14.53	6.5	15.034	44	Sorghum
6	29-Aug-18	4.05	5.35	9.4	6.7	14.912	39	Maize
7	29-Sep-18	5.85	5.3	11.15	6.8	15.034	41	Maize
8	29-Oct-18	4.27	3.1	7.37	6.8	15.156	36	Maize
9	29-Nov-18	4	3	7	6.9	15.278	35	Maize

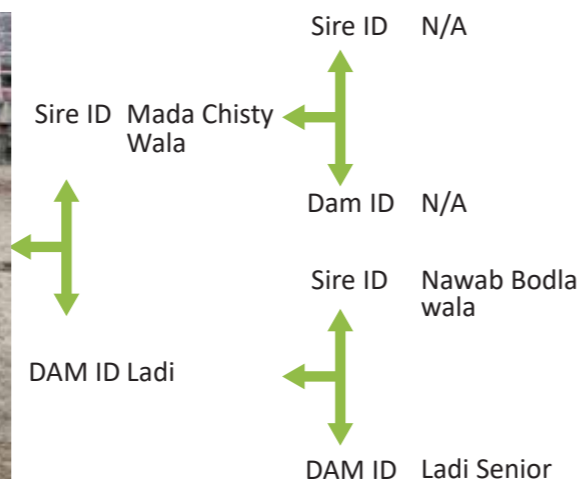
Performance History & Progeny Record

Performance History					Progeny Record		
Lactation no	Date of Calving MM-DD-YYYY	Date of Dry MM-DD-YYYY	Lactation Length	Milk yield (Lit.)	Calf ID	Sire ID	Sex
1	8-21-15	9-19-17	316	1870	B-3	Mamoora	Male
2	10-19-16	8-24-17	313	2391	B-21	Parwana	Male
3	12-31-17				B-32	Laal	Female

Performance History & Progeny Record

Performance History					Progeny Record		
Lactation no	Date of Calving MM-DD-YYYY	Date of Dry MM-DD-YYYY	Lactation Length	Milk yield (Lit.)	Calf ID	Sire ID	Sex
1	8-2-15	7-7-16	340	2210	B-9	Mamoora	Female
2	10-16-16	6-21-17	248	2300	B-15	Parwana	Male
3	1-23-18				B-31	Laal	Female

International ID	Project ID	Buffalo Name	Breed	Date Of Birth
PKB-NS-006-007-177	Tag#177	Lado	Nili	5/5/2010



Recording no	Recording Date DD-MM-YYYY	Milk yield (Kg)			Fat%	Total Solids	Environmental Temp (celcius)	Forage Type
		Morning	Evening	Total				
1	29-Mar-18	7.3	9.2	16.5	6.1	14.424	31	Berseem
2	29-Apr-18	8.34	8.7	17.04	6.2	14.668	38	Berseem
3	29-May-18	6.854	8.1	14.954	6.3	14.912	42	Sorghum
4	29-Jun-18	6.57	8	14.57	6.4	15.034	45	Sorghum
5	29-Jul-18	6.23	7.23	13.46	6.5	15.034	44	Sorghum
6	29-Aug-18	4.9	4.05	8.95	6.7	14.912	39	Maize
7	29-Sep-18	4.9	5.85	10.75	6.8	15.034	41	Maize
8	29-Oct-18	4.85	4.27	9.12	6.8	15.156	36	Maize
9	29-Nov-18	3.2	4	7.2	6.9	15.278	35	Maize

Performance History & Progeny Record

Performance History					Progeny Record		
Lactation no	Date of Calving MM-DD-YYYY	Date of Dry MM-DD-YYYY	Lactation Length	Milk yield (Lit.)	Calf ID	Sire ID	Sex
1	7-1-15	6-30-16	365	2310	B-8	Mamoora	Female
2	10-23-16	11-2-17	375	2500	B-75	Parwana	Male
3	2-8-18				B-133	Laal	Female

PP-008

Mian Sajid Ejaz Hotiana



Farmer Detail

Name	Mian Sajid Ejaz Hotiana
Address	Hota, 20Km Hota Road Pakpttan
Contact No	0300-8163888
CNIC	35202-4505719-3

Buffaloes Detail

Adults	Heifers	Calves	Bull	Total
31	12	26	2	71

Star Marked And changed colour is current practice of farmer from below Table

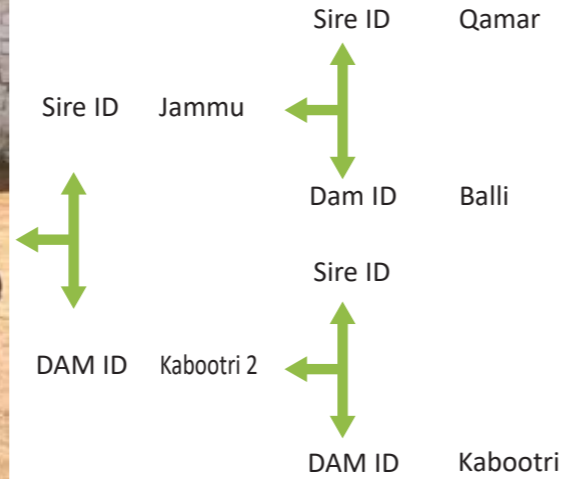
Feeding system

NFS	Necessary feeding system	Total mixed ration @3% Body wieght
HIFS	High input feeding system	Forage ad lib+ Silage/Hay+Concentrate+free water access
* MIFS	Medium input feeding system	Forage ad lib+ occasional Concentrate+free water access
LIFS	Low input feeding system	Forage ad lib+ water access on offering
PIFS	Poor input feeding system	Grazing from communal land+ Water access on offering

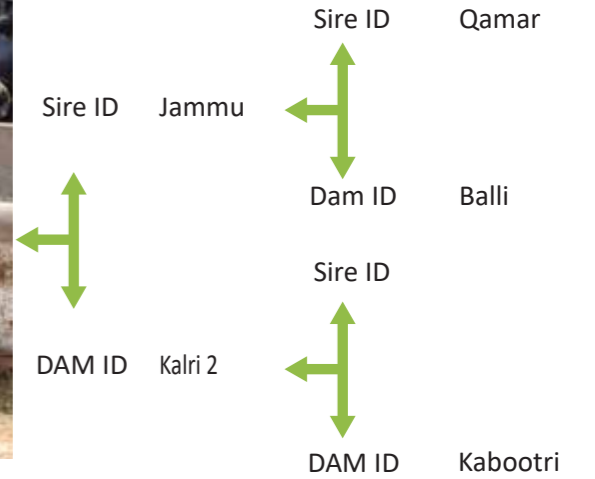
Housing System

Excellent	Loose stall, Proper feeding manger+Free access to pound+excellent Ventilation+Bedding in resting area
* Good	Loose stall, proper feeding manger+Once a day access to pound+resting area+excellent ventilation
Above average	Loose stall, proper feeding manger+resting area+good ventilation
Average	Tie stall+proper feeding manger+Resting area+good ventilation
Poor	Tie stall+poor ventilation+ No resting area

International ID	Project ID	Buffalo Name	Breed	Date Of Birth
PKB-PP-003-008-101	Tag#101	Kabootri	Nili	N/A



International ID	Project ID	Buffalo Name	Breed	Date Of Birth
PKB-PP-003-008-102	Tag#102	Kaalri	Nili	N/A



Current lactation performance		Current Lactation No			4th			
Recording no	Recording Date DD-MM-YYYY	Milk yield (Kg)			Fat%	Total Solids	Environmental Temp (celcius)	Forage Type
		Morning	Evening	Total				
1	14-Mar-18	8.2	8.5	16.7	6.2	15.034	32	Berseem
2	14-Apr-18	9.21	9.34	18.55	6.3	15.156	40	Berseem
3	14-May-18	8.675	8.98	17.655	6.3	15.156	42	Berseem
4	14-Jun-18	7.5	8.3	15.8	6.4	15.278	45	Sorghum
5	14-Jul-18	7	7.5	14.5	6.4	15.278	44	Sorghum
6	14-Aug-18	6.2	5.35	11.55	6.4	15.278	39	Sorghum
7	14-Sep-18	5.3	5.2	10.5	6.7	15.644	41	Sorghum
8	14-Oct-18	3.535	3.75	7.285	6.7	15.644	36	Maize
9	14-Nov-18	3	2.5	5.5	6.9	15.888	35	Maize

Current lactation performance		Current Lactation No			3rd			
Recording no	Recording Date DD-MM-YYYY	Milk yield (Kg)			Fat%	Total Solids	Environmental Temp (celcius)	Forage Type
		Morning	Evening	Total				
1	14-Mar-18	7.8	6.7	14.5	6.2	15.034	32	Berseem
2	14-Apr-18	8.5	8.2	16.7	6.3	15.156	40	Berseem
3	14-May-18	7.9	8.2	16.1	6.3	15.156	42	Berseem
4	14-Jun-18	6.8	7.8	14.6	6.4	15.278	45	Sorghum
5	14-Jul-18	7.23	6.9	14.13	6.4	15.278	44	Sorghum
6	14-Aug-18	4.05	5.3	9.35	6.4	15.278	39	Sorghum
7	14-Sep-18	4	5.3	9.3	6.7	15.644	41	Sorghum
8	14-Oct-18	4.27	3.1	7.37	6.7	15.644	36	Maize
9	14-Nov-18	4	3	7	6.9	15.888	35	Maize

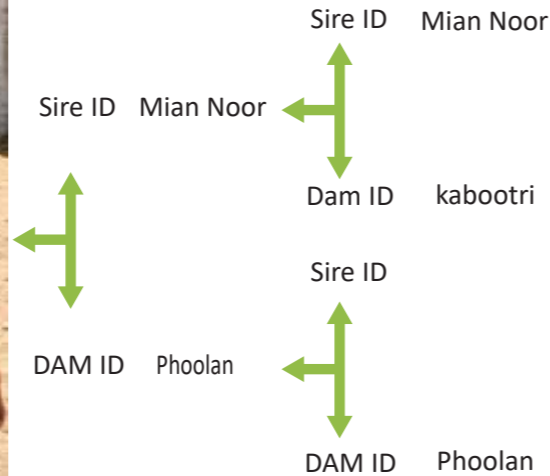
Performance History & Progeny Record

Performance History					Progeny Record		
Lactation no	Date of Calving MM-DD-YYYY	Date of Dry MM-DD-YYYY	Lactation Length	Milk yield (Lit.)	Calf ID	Sire ID	Sex
1	11-23-16	N/A	N/A	12 lit	HB 13	Kala jhota	Female
2	12-26-17			16 lit	HB 56	Kala jhota	Male
3	01-26-18				HB 87	Lasdu Mian	Female

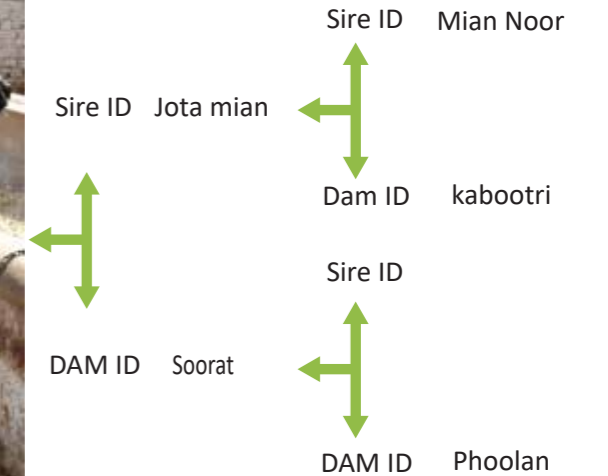
Performance History & Progeny Record

Performance History					Progeny Record		
Lactation no	Date of Calving MM-DD-YYYY	Date of Dry MM-DD-YYYY	Lactation Length	Milk yield (Lit.)	Calf ID	Sire ID	Sex
1	11/15/2015	N/A	N/A	14lit	HB 14	Kala jhota	Female
2	12/12/2016			16 lit	HB 57	Kala jhota	Male
3	1/14/2018				HB 85	Lasdu Mian	Female

International ID	Project ID	Buffalo Name	Breed	Date Of Birth
PKB-PP-003-008-103	Tag#103	Dachi	Nili	9/6/2010



International ID	Project ID	Buffalo Name	Breed	Date Of Birth
PKB-PP-003-008-104	Tag#104	Soorat	Nili	9/6/2010



Current lactation performance		Current Lactation No			2nd			
Recording no	Recording Date DD-MM-YYYY	Milk yield (Kg)			Fat%	Total Solids	Environmental Temp (celcius)	Forage Type
		Morning	Evening	Total				
1	14-Mar-18	7.9	6.7	14.6	6.2	15.034	32	Berseem
2	14-Apr-18	8	7.5	15.5	6.3	15.156	40	Berseem
3	14-May-18	7.9	8.4	16.3	6.3	15.156	42	Berseem
4	14-Jun-18	7.2	7.9	15.1	6.4	15.278	45	Sorghum
5	14-Jul-18	6.3	6.1	12.4	6.4	15.278	44	Sorghum
6	14-Aug-18	5.2	4.3	9.5	6.4	15.278	39	Sorghum
7	14-Sep-18	4.8	3.61	8.41	6.7	15.644	41	Sorghum
8	14-Oct-18	4.2	3.1	7.3	6.7	15.644	36	Maize
9	14-Nov-18	3.3	3	6.3	6.9	15.888	35	Maize

Current lactation performance		Current Lactation No			4th			
Recording no	Recording Date DD-MM-YYYY	Milk yield (Kg)			Fat%	Total Solids	Environmental Temp (celcius)	Forage Type
		Morning	Evening	Total				
1	14-Mar-18	6.5	7.87	14.37	6.2	15.034	32	Berseem
2	14-Apr-18	7.8	9.64	17.44	6.3	15.156	40	Berseem
3	14-May-18	8	8.98	16.98	6.3	15.156	42	Berseem
4	14-Jun-18	6.5	7.4	13.9	6.4	15.278	45	Sorghum
5	14-Jul-18	6.12	7.123	13.243	6.4	15.278	44	Sorghum
6	14-Aug-18	5.43	6.231	11.661	6.4	15.278	39	Sorghum
7	14-Sep-18	5.1	4.9	10	6.7	15.644	41	Sorghum
8	14-Oct-18	4.71	4.21	8.92	6.7	15.644	36	Maize
9	14-Nov-18	3	3.5	6.5	6.9	15.888	35	Maize

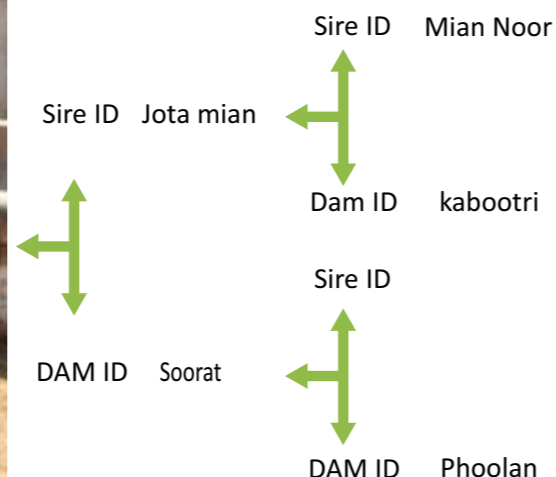
Performance History & Progeny Record

Performance History					Progeny Record		
Lactation no	Date of Calving MM-DD-YYYY	Date of Dry MM-DD-YYYY	Lactation Length	Milk yield (Lit.)	Calf ID	Sire ID	Sex
1	3-15-15	N/A	N/A	12lit	HB 12	Kala jhota	Female
2	12-19-16			15 lit	HB 55	Kala jhota	Male

Performance History & Progeny Record

Performance History					Progeny Record		
Lactation no	Date of Calving MM-DD-YYYY	Date of Dry MM-DD-YYYY	Lactation Length	Milk yield (Lit.)	Calf ID	Sire ID	Sex
1	8-6-15	N/A	N/A	11 lit	HB 10	Kala jhota	Female
2	12-29-16			15 lit	HB 52	Kala jhota	Male
3	2-25-18				HB 88	Lasdu Mian	Female

International ID	Project ID	Buffalo Name	Breed	Date Of Birth
PKB-PP-003-008-105	Tag#105	Niki Kabootri	Nili	6/19/2011



Recording no	Recording Date DD-MM-YYYY	Milk yield (Kg)			Fat%	Total Solids	Environmental Temp (celcius)	Forage Type
		Morning	Evening	Total				
		Current lactation performance						
		Current Lactation No		2nd				
1	14-Mar-18	7.9	6.87	17.77	6.2	15.034	32	Berseem
2	14-Apr-18	7.2	7.43	14.63	6.3	15.156	40	Berseem
3	14-May-18	6.66	6.321	12.981	6.3	15.156	42	Berseem
4	14-Jun-18	6	7.43	13.43	6.4	15.278	45	Sorghum
5	14-Jul-18	6.981	6.415	13.396	6.4	15.278	44	Sorghum
6	14-Aug-18	6.23	5.9	12.13	6.4	15.278	39	Sorghum
7	14-Sep-18	6	5.35	11.35	6.7	15.644	41	Sorghum
8	14-Oct-18	4.21	3.75	7.96	6.7	15.644	36	Maize
9	14-Nov-18	3.2	2.5	5.7	6.9	15.888	35	Maize

Performance History & Progeny Record

Performance History					Progeny Record		
Lactation no	Date of Calving MM-DD-YYYY	Date of Dry MM-DD-YYYY	Lactation Length	Milk yield (Lit.)	Calf ID	Sire ID	Sex
1	11-15-16	N/A	N/A	13 lit	HB 51	Qb1018	Male
2	1-13-18				HB 90	Jugnoo	Male
3							

BN-009

Syed Jawad Hussain Shah



Farmer Detail

Name	Syed Jawad Hussain Shah
Address	Mouza Kaliye District Bahawalnagar
Contact No	0300-6982059
CNIC	31101-1615945-3

Buffaloes Detail

Adults	Heifers	Calves	Bull	Total
50	25	42	2	119

Star Marked And changed colour is current practice of farmer from below Table

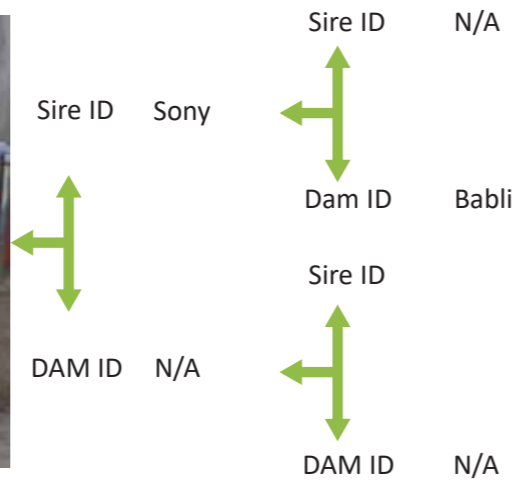
Feeding system

NFS	Necessary feeding system	Total mixed ration @3% Body wieght
* HIFS	High input feeding system	Forage ad lib+ Silage/Hay+Concentrate+free water access
MIFS	Medium input feeding system	Forage ad lib+ occasional Concentrate+free water access
LIFS	Low input feeding system	Forage ad lib+ water access on offering
PIFS	Poor input feeding system	Grazing from communal land+ Water access on offering

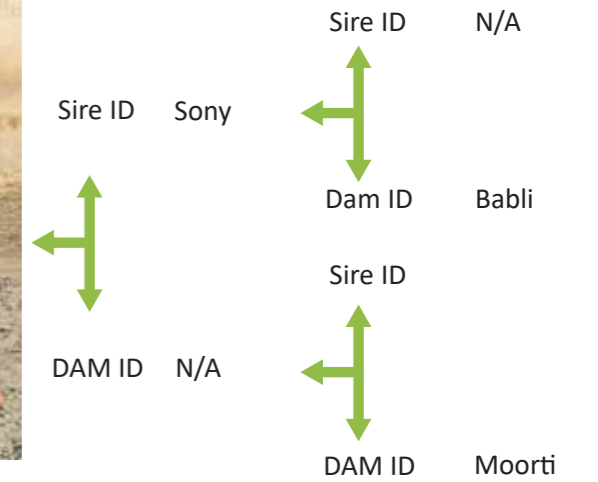
Housing System

Excellent	Loose stall, Proper feeding manger+Free access to pound+excellent Ventilation+Bedding in resting area
* Good	Loose stall, proper feeding manger+Once a day access to pound+resting area+excellent ventilation
Above average	Loose stall, proper feeding manger+resting area+good ventilation
Average	Tie stall+proper feeding manger+Resting area+good ventilation
Poor	Tie stall+poor ventilation+ No resting area

International ID	Project ID	Buffalo Name	Breed	Date Of Birth
PKB-BN-003-008-131	Tag#131	Anmool	Nili	9/12/2014



International ID	Project ID	Buffalo Name	Breed	Date Of Birth
PKB-BN-003-008-132	Tag#132	Koyal	Nili	8/27/2012



Current lactation performance		Current Lactation No			1st			
Recording no	Recording Date DD-MM-YYYY	Milk yield (Kg)			Fat%	Total Solids	Environmental Temp (celcius)	Forage Type
		Morning	Evening	Total				
1	21-Mar-18	6.372	6.1	12.472	6.2	14.546	32	Berssem
2	21-Apr-18	6.67	6.02	12.69	6.4	14.668	39	Berssem
3	21-May-18	6.45	5.98	12.43	6.5	14.668	42	Berssem
4	21-Jun-18	5.78	4.778	10.558	6.5	14.668	45	Sorghum
5	21-Jul-18	5.02	4.32	9.34	6.6	14.79	44	Sorghum
6	21-Aug-18	3.976	3.814	7.79	6.8	14.912	39	Sorghum
7	21-Sep-18	3.874	3.858	7.642	6.7	15.034	41	Maize
8	21-Oct-18	4.242	3.336	7.578	6.8	15.516	36	Maize
9	21-Nov-18	3.22	2.19	6.13	6.9	15.638	35	Maize

Current lactation performance		Current Lactation No			3rd			
Recording no	Recording Date DD-MM-YYYY	Milk yield (Kg)			Fat%	Total Solids	Environmental Temp (celcius)	Forage Type
		Morning	Evening	Total				
1	21-Mar-18	7.2	6.87	14.07	6.2	14.546	36	Berssem
2	21-Apr-18	7.5	6.56	14.06	6.4	14.668	40	Berssem
3	21-May-18	7.1	6.4	13.5	6.5	14.668	42	Berssem
4	21-Jun-18	6.74	5.387	12.127	6.5	14.668	44	Sorghum
5	21-Jul-18	4.32	4.87	9.19	6.6	14.79	44	Sorghum
6	21-Aug-18	4.2	4.1	8.3	6.8	14.912	40	Sorghum
7	21-Sep-18	3.858	4	7.858	6.7	15.034	41	Maize
8	21-Oct-18	3.336	3.76	7.096	6.8	15.516	36	Maize
9	21-Nov-18	2.91	3.7	6.61	6.9	15.638	34	Maize

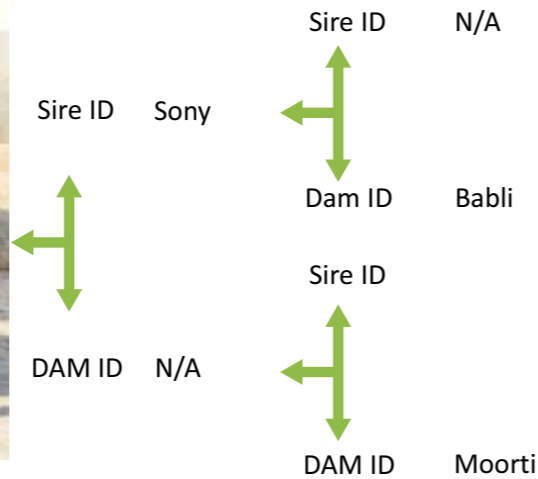
Performance History & Progeny Record

Performance History					Progeny Record		
Lactation no	Date of Calving MM-DD-YYYY	Date of Dry MM-DD-YYYY	Lactation Length	Milk yield (Lit.)	Calf ID	Sire ID	Sex
1	01-12-18	N/A	N/A	N/A	B-12	Choty	Female
2						N/A	
3							

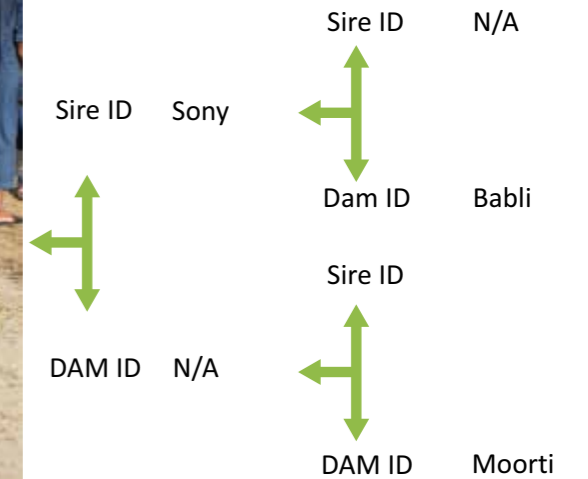
Performance History & Progeny Record

Performance History					Progeny Record		
Lactation no	Date of Calving MM-DD-YYYY	Date of Dry MM-DD-YYYY	Lactation Length	Milk yield (Lit.)	Calf ID	Sire ID	Sex
1	10-1-15	9-1-16	328	1932	B-17	Musa	Female
2	11-12-16	10-2-17	324	2319	B-23	Musa	Male
3	1-8-18					QB-737	Male

International ID	Project ID	Buffalo Name	Breed	Date Of Birth
PKB-BN-003-008-133	Tag#133	Piyari	Nili	8/2/2013



International ID	Project ID	Buffalo Name	Breed	Date Of Birth
PKB-BN-003-008-134	Tag#134	Nukri	Nili	



Current lactation performance		Current Lactation No			2nd	Fat%	Total Solids	Environmental Temp (celcius)	Forage Type
Recording no	Recording Date DD-MM-YYYY	Milk yield (Kg)							
		Morning	Evening	Total					
1	21-Mar-18	7.1	7.5	14.6	6.2	14.546	36	Berssem	
2	21-Apr-18	7.02	5.89	12.91	6.4	14.668	40	Berssem	
3	21-May-18	6.56	5.67	12.23	6.5	14.668	42	Berssem	
4	21-Jun-18	6.2	5.32	11.52	6.5	14.668	44	Sorghum	
5	21-Jul-18	5.45	5.02	10.47	6.6	14.79	44	Sorghum	
6	21-Aug-18	4.862	4.212	9.074	6.8	14.912	40	Sorghum	
7	21-Sep-18	4.838	3.922	8.76	6.7	15.034	41	Maize	
8	21-Oct-18	3.814	3.969	7.783	6.8	15.516	36	Maize	
9	21-Nov-18	3.02	2.98	6	6.9	15.638	34	Maize	

Current lactation performance		Current Lactation No			2nd	Fat%	Total Solids	Environmental Temp (celcius)	Forage Type
Recording no	Recording Date DD-MM-YYYY	Milk yield (Kg)							
		Morning	Evening	Total					
1	21-Mar-18	7.231	6.7	13.931	6.2	14.546	36	Berssem	
2	21-Apr-18	7.02	6.9	13.92	6.4	14.668	40	Berssem	
3	21-May-18	6.8	6.4	13.2	6.5	14.668	42	Berssem	
4	21-Jun-18	6.3	6.4	12.7	6.5	14.668	44	Sorghum	
5	21-Jul-18	5.9	5.45	11.35	6.6	14.79	44	Sorghum	
6	21-Aug-18	5.7	5.3	11	6.8	14.912	40	Sorghum	
7	21-Sep-18	4.838	4.99	9.828	6.7	15.034	41	Maize	
8	21-Oct-18	3.814	4.21	8.024	6.8	15.516	36	Maize	
9	21-Nov-18	3.02	3	6.02	6.9	15.638	34	Maize	

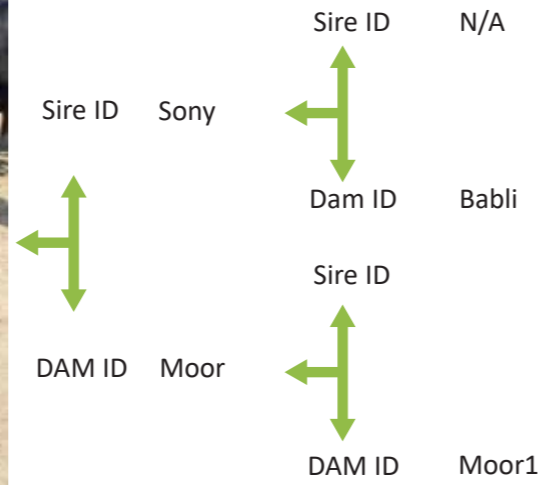
Performance History & Progeny Record

Performance History					Progeny Record		
Lactation no	Date of Calving MM-DD-YYYY	Date of Dry MM-DD-YYYY	Lactation Length	Milk yield (Lit.)	Calf ID	Sire ID	Sex
1	11-12-16	10-12-17	334	2319	B-17	NA	Female
2	1-8-18				B-23	NA	Male
3							

Performance History & Progeny Record

Performance History					Progeny Record		
Lactation no	Date of Calving MM-DD-YYYY	Date of Dry MM-DD-YYYY	Lactation Length	Milk yield (Lit.)	Calf ID	Sire ID	Sex
1	1-12-18				Nukri	NA	Female
2							
3							

Internal ID	Project ID	Buffalo Name	Breed	Date Of Birth
PKB-BN-003-008-134	Tag#134	Nukri	Nili	



Current lactation performance		Current Lactation No			4th	Fat%	Total Solids	Environmental Temp (celcius)	Forage Type
Recording no	Recording Date DD-MM-YYYY	Milk yield (Kg)							
		Morning	Evening	Total					
1	21-Mar-18	7.231	6.453	13.684	6.2	14.546	36	Berssem	
2	21-Apr-18	7.02	5.89	12.91	6.4	14.668	40	Berssem	
3	21-May-18	6.58	5.67	12.23	6.5	14.668	42	Berssem	
4	21-Jun-18	6.4	5.35	11.75	6.5	14.668	44	Sorghum	
5	21-Jul-18	5.45	5.02	10.47	6.6	14.79	44	Sorghum	
6	21-Aug-18	4.838	4.212	9.074	6.8	14.912	40	Sorghum	
7	21-Sep-18	4.838	3.922	8.76	6.7	15.034	41	Maize	
8	21-Oct-18	3.814	3.969	7.783	6.8	15.516	36	Maize	
9	21-Nov-18	3.02	2.98	6	6.9	15.638	34	Maize	

Performance History & Progeny Record

Performance History					Progeny Record		
Lactation no	Date of Calving MM-DD-YYYY	Date of Dry MM-DD-YYYY	Lactation Length	Milk yield (Lit.)	Calf ID	Sire ID	Sex
1	8-9-15	7-1-16	327	1789	B-17	NA	Female
2	10-12-16	10-2-17	355	2176	B-23	Bala	Male
3	1-12-18						Female

FSD-010

Asad Ullah Laghari



Farmer Detail

Name	Asad Ullah Laghari
Address	Chack 204 GB, Khiderwala Faisalabad
Contact No	0346-7374204
CNIC	33105-0298793-9

Buffaloes Detail

Adults	Heifers	Calves	Bull	Total
19	9	14	1	43

Star Marked And changed colour is current practice of farmer from below Table

Feeding system

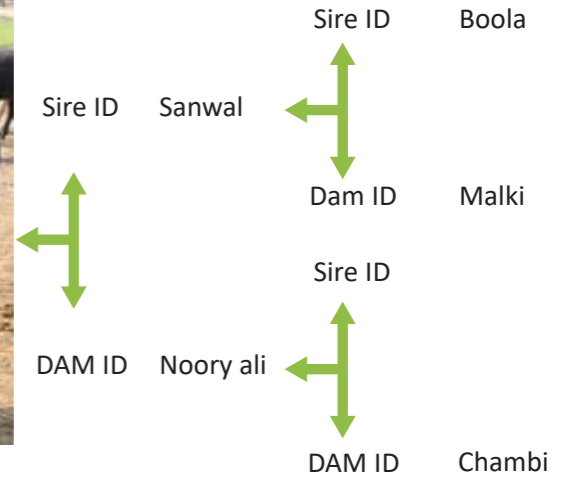
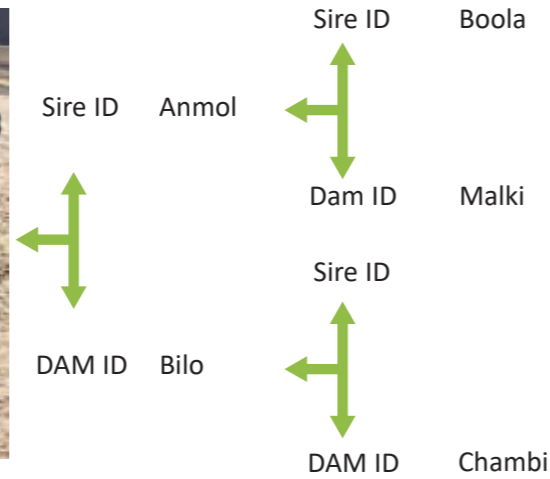
NFS	Necessary feeding system	Total mixed ration @3% Body wieght
HIFS	High input feeding system	Forage ad lib+ Silage/Hay+Concentrate+free water access
* MIFS	Medium input feeding system	Forage ad lib+ occasional Concentrate+free water access
LIFS	Low input feeding system	Forage ad lib+ water access on offering
PIFS	Poor input feeding system	Grazing from communal land+ Water access on offering

Housing System

Excellent	Loose stall, Proper feeding manger+Free access to pound+excellent Ventilation+Bedding in resting area
* Good	Loose stall, proper feeding manger+Once a day access to pound+resting area+excellent ventilation
Above average	Loose stall, proper feeding manger+resting area+good ventilation
Average	Tie stall+proper feeding manger+Resting area+good ventilation
Poor	Tie stall+poor ventilation+ No resting area

International ID	Project ID	Buffalo Name	Breed	Date Of Birth
PKB-FSD-005-010-173	Tag#173	Sana	Nili	8/8/2012

International ID	Project ID	Buffalo Name	Breed	Date Of Birth
PKB-FSD-005-010-174	Tag#174	Nagina	Nili	10/2/2009



Current lactation performance		Current Lactation No			3rd			
Recording no	Recording Date DD-MM-YYYY	Milk yield (Kg)			Fat%	Total Solids	Environmental Temp (celcius)	Forage Type
		Morning	Evening	Total				
1	26-Mar-18	7.25	6.9	14.15	6.2	15.034	30	Berseem
2	26-Apr-18	8.2	7.5	15.7	6.2	15.034	35	Berseem
3	26-May-18	7.3	6.9	14.2	6.3	15.156	40	Berseem
4	26-Jun-18	7	5.9	12.9	6.4	15.278	41	Sorghum
5	26-Jul-18	6.5	5.5	12	6.6	15.522	40	Sorghum
6	26-Aug-18	5.33	4.9	10.23	6.6	15.522	39	Sorghum
7	26-Sep-18	4.9	3.5	8.4	6.7	15644	36	Maize
8	26-Oct-18	4	3	7	6.8	15.766	32	Maize
9	26-Nov-18	3.5	3	6.5	6.8	15.766	30	Maize

Current lactation performance		Current Lactation No			5th			
Recording no	Recording Date DD-MM-YYYY	Milk yield (Kg)			Fat%	Total Solids	Environmental Temp (celcius)	Forage Type
		Morning	Evening	Total				
1	26-Mar-18	8	7.3	15.3	6.2	15.034	30	Berseem
2	26-Apr-18	7.5	8.3	15.8	6.2	15.034	35	Berseem
3	26-May-18	6.204	6.854	13.058	6.3	15.156	40	Berseem
4	26-Jun-18	5.67	6.57	12.24	6.4	15.278	41	Sorghum
5	26-Jul-18	6.7	6.2	12.9	6.6	15.522	40	Sorghum
6	26-Aug-18	5.43	4.9	10.33	6.6	15.522	39	Sorghum
7	26-Sep-18	5.3	4.9	10.2	6.7	15644	36	Maize
8	26-Oct-18	5.26	4.8	10.06	6.8	15.766	32	Maize
9	26-Nov-18	4.2	3.2	7.4	6.8	15.766	30	Maize

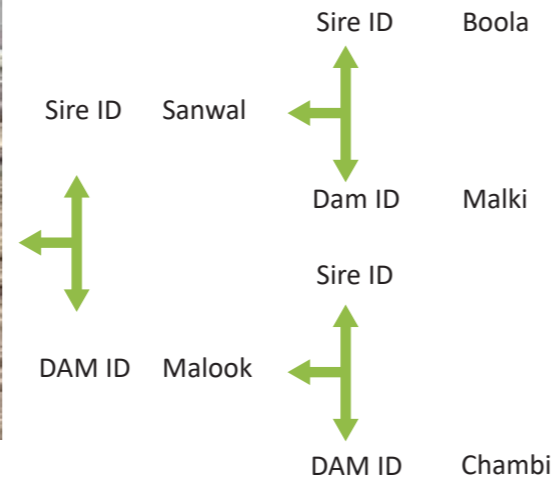
Performance History & Progeny Record

Performance History					Progeny Record		
Lactation no	Date of Calving MM-DD-YYYY	Date of Dry MM-DD-YYYY	Lactation Length	Milk yield (Lit.)	Calf ID	Sire ID	Sex
1	8-12-15	7-1-16	324	2219	BL-18	Sanghar	Male
2	11-12-16	10-13-17	335	2500	BL-38	Sanghar	Female
3	01-12-18				BL-90	Dilbar	Female

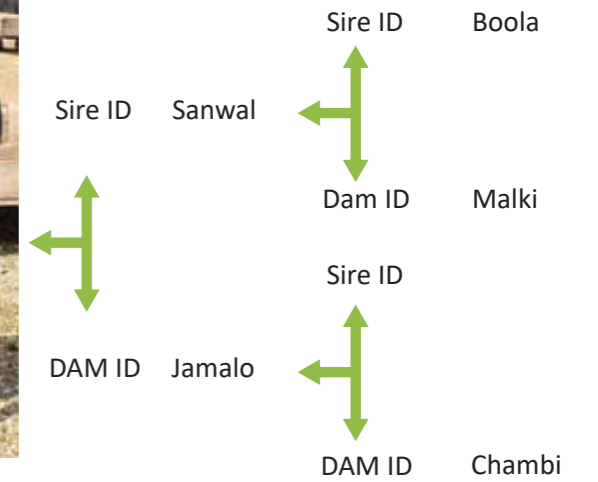
Performance History & Progeny Record

Performance History					Progeny Record		
Lactation no	Date of Calving MM-DD-YYYY	Date of Dry MM-DD-YYYY	Lactation Length	Milk yield (Lit.)	Calf ID	Sire ID	Sex
1	7-2-15	7-30-16	394	2219	B-12	Sanghar	Female
2	10-12-16	8-18-17	310	2281	B-22	Sanghar	Female
3	12-2-17				B-22	Dilbar	Female

International ID	Project ID	Buffalo Name	Breed	Date Of Birth
PKB-FSD-005-010-175	Tag#175	Almas	Nili	7/1/2012



International ID	Project ID	Buffalo Name	Breed	Date Of Birth
PKB-FSD-005-010-176	Tag#176	Chance	Nili	7/7/2013



Current lactation performance		Current Lactation No			3rd			
Recording no	Recording Date DD-MM-YYYY	Milk yield (Kg)			Fat%	Total Solids	Environmental Temp (celcius)	Forage Type
		Morning	Evening	Total				
1	26-Mar-18	7.8	7.3	15.1	6.2	15.034	30	Berseem
2	26-Apr-18	7	8.3	8.34	6.2	15.034	35	Berseem
3	26-May-18	7.2	6.854	6.854	6.3	15.156	40	Berseem
4	26-Jun-18	5.4	6.57	6.57	6.4	15.278	41	Sorghum
5	26-Jul-18	5.1	6.3	6.23	6.6	15.522	40	Sorghum
6	26-Aug-18	4.7	4.9	4.9	6.6	15.522	39	Sorghum
7	26-Sep-18	4.2	4.9	4.9	6.7	15644	36	Maize
8	26-Oct-18	3.4	4.85	4.85	6.8	15.766	32	Maize
9	26-Nov-18	2.4	3.2	3.2	6.8	15.766	30	Maize

Current lactation performance		Current Lactation No			1st			
Recording no	Recording Date DD-MM-YYYY	Milk yield (Kg)			Fat%	Total Solids	Environmental Temp (celcius)	Forage Type
		Morning	Evening	Total				
1	26-Mar-18	7.9	7.8	15.7	6.2	15.034	30	Berseem
2	26-Apr-18	7.05	8.35	15.4	6.2	15.034	35	Berseem
3	26-May-18	5.9	5.5	11.4	6.3	15.156	40	Berseem
4	26-Jun-18	5.2	5.02	10.22	6.4	15.278	41	Sorghum
5	26-Jul-18	4.8	4.9	9.7	6.6	15.522	40	Sorghum
6	26-Aug-18	4	3.7	7.7	6.6	15.522	39	Sorghum
7	26-Sep-18	3.7	3.4	7.1	6.7	15644	36	Maize
8	26-Oct-18	4	3.75	7.75	6.8	15.766	32	Maize
9	26-Nov-18	2	3	5	6.8	15.766	30	Maize

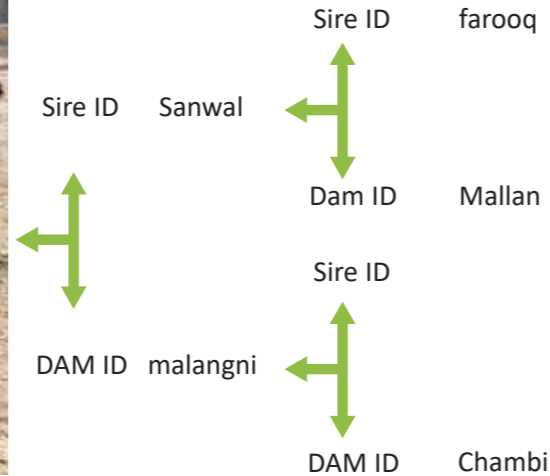
Performance History & Progeny Record

Performance History					Progeny Record		
Lactation no	Date of Calving MM-DD-YYYY	Date of Dry MM-DD-YYYY	Lactation Length	Milk yield (Lit.)	Calf ID	Sire ID	Sex
1	9-10-15	10-11-16	397	2010	B-13	Sanghar	Female
2	12-12-16	10-19-17	311	2345	B-17	Sanghar	Female
3	2-2-18				B-39	Dilbar	Female

Performance History & Progeny Record

Performance History					Progeny Record		
Lactation no	Date of Calving MM-DD-YYYY	Date of Dry MM-DD-YYYY	Lactation Length	Milk yield (Lit.)	Calf ID	Sire ID	Sex
1	1-1-18				B-21	Sanghar	Male
2							
3							

International ID	Project ID	Buffalo Name	Breed	Date Of Birth
PKB-FSD-005-010-177	Tag#177	Hudbai	Nili	7/7/2013



Current lactation performance		Current Lactation No			5th	Total Solids	Environmental Temp (celcius)	Forage Type
Recording no	Recording Date DD-MM-YYYY	Milk yield (Kg)			Fat%			
		Morning	Evening	Total				
1	26-Mar-18	7.8	7.3	15.1	6.2	15.034	30	Berseem
2	26-Apr-18	7	8.34	15.34	6.2	15.034	35	Berseem
3	26-May-18	7.2	6.854	14.054	6.3	15.156	40	Berseem
4	26-Jun-18	5.4	6.57	11.97	6.4	15.278	41	Sorghum
5	26-Jul-18	5.1	6.23	11.33	6.6	15.522	40	Sorghum
6	26-Aug-18	4.7	4.9	9.6	6.6	15.522	39	Sorghum
7	26-Sep-18	4.2	4.9	9.1	6.7	15.644	36	Maize
8	26-Oct-18	3.4	4.85	8.25	6.8	15.766	32	Maize
9	26-Nov-18	2.4	3.2	5.6	6.8	15.766	30	Maize

Performance History & Progeny Record

Performance History					Progeny Record		
Lactation no	Date of Calving MM-DD-YYYY	Date of Dry MM-DD-YYYY	Lactation Length	Milk yield (Lit.)	Calf ID	Sire ID	Sex
1	N/A	N/A	N/A	N/A	N/A	N/A	N/A
2	N/A	N/A	N/A	N/A	N/A	N/A	N/A
3	01-14-2018						Female

LHR-011

Dr.Farukh Bhatti



Farmer Detail

Name	Dr.Farukh Bhatti
Address	Village Barki, Tehsil Lahore District Lahore
Contact No	0300-8162242
CNIC	34501-3849992-1

Buffaloes Detail

Adults	Heifers	Calves	Bull	Total
55	12	29	2	98

Star Marked And changed colour is current practice of farmer from below Table

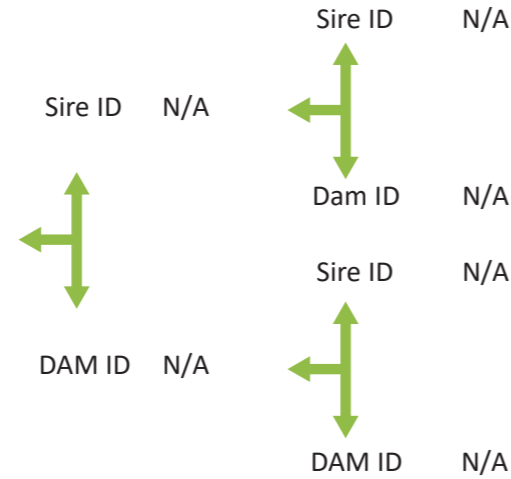
Feeding system

NFS	Necessary feeding system	Total mixed ration @3% Body wieght
HIFS	High input feeding system	Forage ad lib+ Silage/Hay+Concentrate+free water access
* MIFS	Medium input feeding system	Forage ad lib+ occasional Concentrate+free water access
LIFS	Low input feeding system	Forage ad lib+ water access on offering
PIFS	Poor input feeding system	Grazing from communal land+ Water access on offering

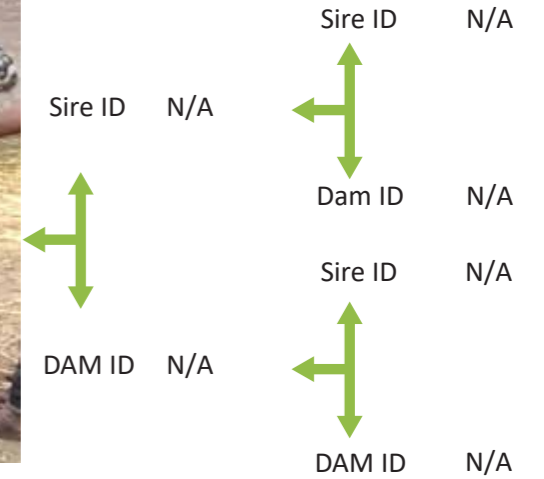
Housing System

Excellent	Loose stall, Proper feeding manger+Free access to pound+excellent Ventilation+Bedding in resting area
* Good	Loose stall, proper feeding manger+Once a day access to pound+resting area+excellent ventilation
Above average	Loose stall, proper feeding manger+resting area+good ventilation
Average	Tie stall+proper feeding manger+Resting area+good ventilation
Poor	Tie stall+poor ventilation+ No resting area

International ID	Project ID	Buffalo Name	Breed	Date Of Birth
PKB-LHR-001-011-196	Tag#196	Beauty	Nili Ravi	N/A



International ID	Project ID	Buffalo Name	Breed	Date Of Birth
PKB-LHR-001-011-198	Tag#198	Nawabi	Nili Ravi	N/A



Current lactation performance		Current Lactation No			1st			
Recording no	Recording Date DD-MM-YYYY	Milk yield (Kg)			Fat%	Total Solids	Environmental Temp (celcius)	Forage Type
		Morning	Evening	Total				
1	26-Mar-18	5.83	5.83	11.66	6.1	14.912	32	Berseem
2	26-Apr-18	7.4	7.17	14.57	6.2	15.034	39	Berseem
3	26-May-18	7	6.67	13.67	6.2	15.156	42	Berseem
4	26-Jun-18	6.24	6.08	12.32	6.2	15.278	45	Maize
5	26-Jul-18	6.2	6.00	12.20	6.2	15.522	44	Maize
6	26-Aug-18	5.1	5.00	10.10	6.3	15.522	39	Sorghum
7	26-Sep-18	4.4	4.58	8.98	6.4	15644	41	Sorghum
8	26-Oct-18	4	4.17	8.17	6.5	15.766	36	Sorghum
9	26-Nov-18	3.33	3.33	6.66	6.8	15.766	35	Sorghum

Current lactation performance		Current Lactation No			N/A			
Recording no	Recording Date DD-MM-YYYY	Milk yield (Kg)			Fat%	Total Solids	Environmental Temp (celcius)	Forage Type
		Morning	Evening	Total				
1	26-Mar-18	9.2	8.3	17.5	6.1	14.912	32	Berseem
2	26-Apr-18	8.7	9.49	18.19	6.2	15.034	39	Berseem
3	26-May-18	8.1	8.675	16.775	6.2	15.156	42	Berseem
4	26-Jun-18	8	7.5	15.5	6.2	15.278	45	Maize
5	26-Jul-18	7.23	7.45	14.68	6.2	15.522	44	Maize
6	26-Aug-18	4.05	4.75	8.8	6.3	15.522	39	Sorghum
7	26-Sep-18	5.85	6	11.85	6.4	15644	41	Sorghum
8	26-Oct-18	4.27	3.535	7.805	6.5	15.766	36	Sorghum
9	26-Nov-18	4	3	7	6.8	15.766	35	Sorghum

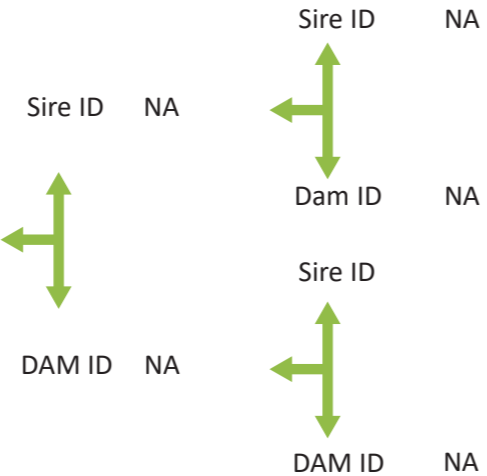
Performance History & Progeny Record

Performance History					Progeny Record		
Lactation no	Date of Calving MM-DD-YYYY	Date of Dry MM-DD-YYYY	Lactation Length	Milk yield (Lit.)	Calf ID	Sire ID	Sex
1	12-Jan-18				B-19		Female
2							
3							

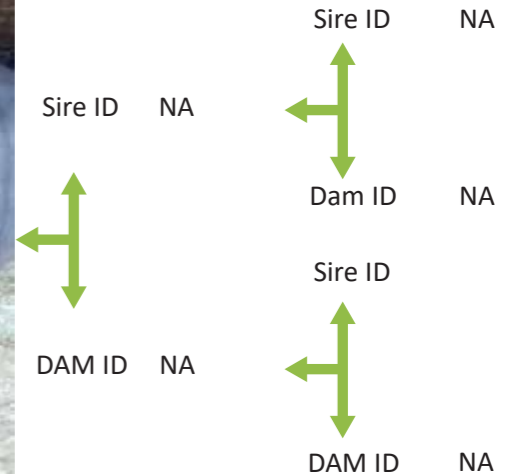
Performance History & Progeny Record

Performance History					Progeny Record		
Lactation no	Date of Calving MM-DD-YYYY	Date of Dry MM-DD-YYYY	Lactation Length	Milk yield (Lit.)	Calf ID	Sire ID	Sex
1	NA	NA	NA	NA	NA	NA	NA
2	NA	NA	NA	NA	NA	NA	NA
3	1-19-18				B-21	Jugno	Male

International ID	Project ID	Buffalo Name	Breed	Date Of Birth
PKB-LHR-001-011-199	Tag#199	Pyari	Nili Ravi	N/A



International ID	Project ID	Buffalo Name	Breed	Date Of Birth
PKB-LHR-001-011-200	Tag#200	Bunty	Nili Ravi	N/A



Current lactation performance		Current Lactation No			8th			
Recording no	Recording Date DD-MM-YYYY	Milk yield (Kg)			Fat%	Total Solids	Environmental Temp (celcius)	Forage Type
		Morning	Evening	Total				
1	26-Mar-18	9.43	9	18.43	6.1	14.912	32	Berseem
2	26-Apr-18	10.056	9.64	19.696	6.2	15.034	39	Berseem
3	26-May-18	8.9	8.98	17.88	6.2	15.156	42	Berseem
4	26-Jun-18	9.15	8.3	17.45	6.2	15.278	45	Maize
5	26-Jul-18	8.15	7.5	15.65	6.2	15.522	44	Maize
6	26-Aug-18	4.6	5.05	9.65	6.3	15.522	39	Sorghum
7	26-Sep-18	5.35	5.35	10.9	6.4	15.644	41	Sorghum
8	26-Oct-18	4.1	3.75	7.85	6.5	15.766	36	Sorghum
9	26-Nov-18	2.78	2.5	5.28	6.8	15.766	35	Sorghum

Current lactation performance		Current Lactation No			1st			
Recording no	Recording Date DD-MM-YYYY	Milk yield (Kg)			Fat%	Total Solids	Environmental Temp (celcius)	Forage Type
		Morning	Evening	Total				
1	26-Mar-18	3.45	3.27	6.72	6.1	14.912	32	Berseem
2	26-Apr-18	6.6	6.67	13.27	6.2	15.034	39	Berseem
3	26-May-18	5.45	5.50	10.95	6.2	15.156	42	Berseem
4	26-Jun-18	5.2	5.00	10.20	6.2	15.278	45	Maize
5	26-Jul-18	5	5.00	10.00	6.2	15.522	44	Maize
6	26-Aug-18	4.34	4.17	8.51	6.3	15.522	39	Sorghum
7	26-Sep-18	4.32	4.00	8.32	6.4	15.644	41	Sorghum
8	26-Oct-18	3.65	3.33	6.98	6.5	15.766	36	Sorghum
9	26-Nov-18	2.1	2.17	4.27	6.8	15.766	35	Sorghum

Performance History & Progeny Record

Performance History					Progeny Record		
Lactation no	Date of Calving MM-DD-YYYY	Date of Dry MM-DD-YYYY	Lactation Length	Milk yield (Lit.)	Calf ID	Sire ID	Sex
1	NA	NA	NA	NA	NA	NA	NA
2	NA	NA	NA	NA	NA	NA	NA
3	1-18-18				B-32	Jugno	Female

Performance History & Progeny Record

Performance History					Progeny Record		
Lactation no	Date of Calving MM-DD-YYYY	Date of Dry MM-DD-YYYY	Lactation Length	Milk yield (Lit.)	Calf ID	Sire ID	Sex
1	NA	NA	NA	NA	NA	NA	NA
2	NA	NA	NA	NA	NA	NA	NA
3	2-21-18				B-34	NA	Female

KS-012

Ch.Tariq Gujjer



Farmer Detail

Name	Ch.Tariq Gujjer
Address	Village jodhu, Tehsil Raiwind District Kasur
Contact No	0300-8004062
CNIC	35202-2775291-5

Buffaloes Detail

Adults	Heifers	Calves	Bull	Total
20	9	16	1	46

Star Marked And changed colour is current practice of farmer from below Table

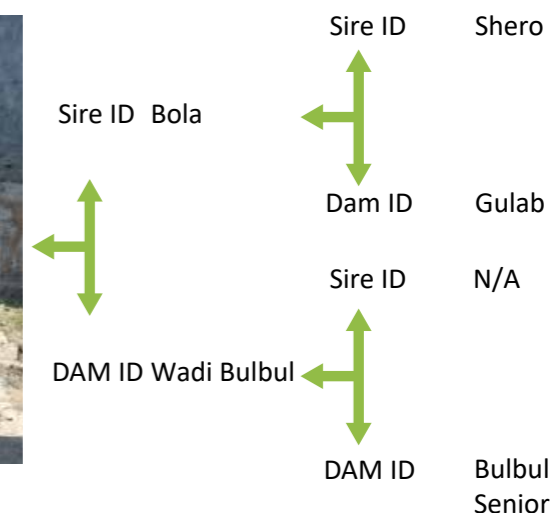
Feeding system

NFS	Necessary feeding system	Total mixed ration @3% Body wieght
* HIFS	High input feeding system	Forage ad lib+ Silage/Hay+Concentrate+free water access
MIFS	Medium input feeding system	Forage ad lib+ occasional Concentrate+free water access
LIFS	Low input feeding system	Forage ad lib+ water access on offering
PIFS	Poor input feeding system	Grazing from communal land+ Water access on offering

Housing System

Excellent	Loose stall, Proper feeding manger+Free access to pound+excellent Ventilation+Bedding in resting area
* Good	Loose stall, proper feeding manger+Once a day access to pound+resting area+excellent ventilation
Above average	Loose stall, proper feeding manger+resting area+good ventilation
Average	Tie stall+proper feeding manger+Resting area+good ventilation
Poor	Tie stall+poor ventilation+ No resting area

International ID	Project ID	Buffalo Name	Breed	Date Of Birth
PKB-KS-001-012-155	Tag#155	Bulbul	Nili	N/A

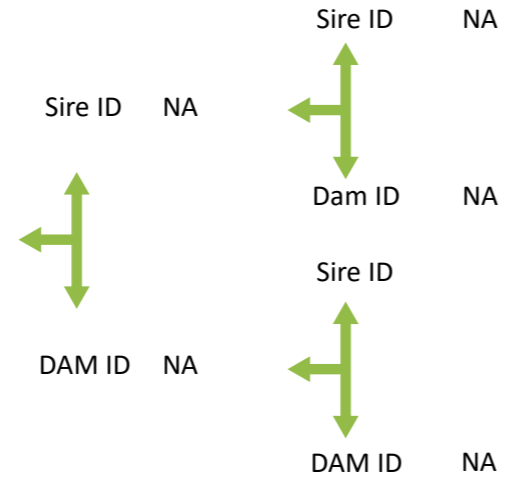


Recording no	Recording Date DD-MM-YYYY	Milk yield (Kg)			Fat%	Total Solids	Environmental Temp (celcius)	Forage Type
		Morning	Evening	Total				
1	3-Mar-18	8.01	8.9	16.91	5.9	14.668	33	Berseem
2	3-Apr-18	8.9	10.356	19.25	6.2	15.034	39	Berseem
3	3-May-18	8.4	8.7	17.37	6.2	15.156	42	Berseem
4	3-Jun-18	8.3	7.9	16.20	6.3	15.278	42	Maize
5	3-Jul-18	7.3	7.05	14.35	6.5	15.522	43	Maize
6	3-Aug-18	5.35	5.9	11.25	6.7	15.522	40	Maize
7	3-Sep-18	5.3	3.7	9	6.8	15.644	38	Sorghum
8	3-Oct-18	3.1	4	7.1	6.8	15.766	37	Sorghum
9	3-Nov-18	3	2	5	6.9	15.766	36	Maize

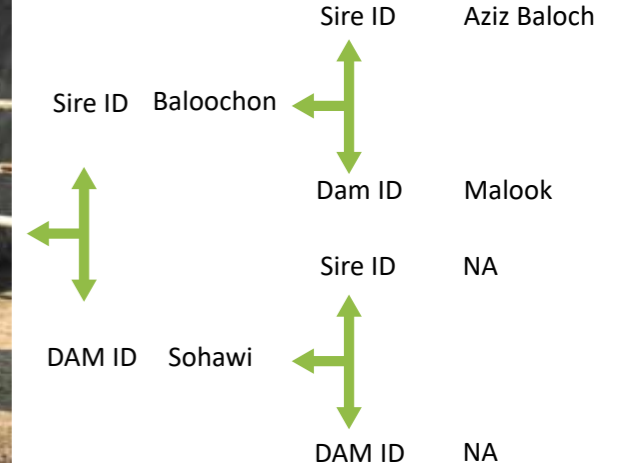
Performance History & Progeny Record

Performance History					Progeny Record		
Lactation no	Date of Calving MM-DD-YYYY	Date of Dry MM-DD-YYYY	Lactation Length	Milk yield (Lit.)	Calf ID	Sire ID	Sex
1	9-21-16	8-19-17	332	2010	B-19	Heer	Female
2	1-12-18	NA	NA	NA	NA	Heer	Male
3	NA				NA	NA	NA

International ID	Project ID	Buffalo Name	Breed	Date Of Birth
PKB-KS-001-012-156	Tag#156	Lado	Nili	N/A



International ID	Project ID	Buffalo Name	Breed	Date Of Birth
PKB-KS-001-012-157	Tag#157	Bili	Nili	N/A



Current lactation performance		Current Lactation No			2nd			
Recording no	Recording Date DD-MM-YYYY	Milk yield (Kg)			Fat%	Total Solids	Environmental Temp (celcius)	Forage Type
		Morning	Evening	Total				
1	3-Mar-18	9.2	8.9	17.21	5.9	14.668	33	Berseem
2	3-Apr-18	8.7	10.356	17.6	6.2	15.034	39	Berseem
3	3-May-18	8.1	8.7	16.5	6.2	15.156	42	Berseem
4	3-Jun-18	8	7.9	16.3	6.3	15.278	42	Maize
5	3-Jul-18	7.23	7.05	14.53	6.5	15.522	43	Maize
6	3-Aug-18	4.05	5.9	9.4	6.7	15.522	40	Maize
7	3-Sep-18	5.85	3.7	11.15	6.8	15644	38	Sorghum
8	3-Oct-18	4.27	4	7.37	6.8	15.766	37	Sorghum
9	3-Nov-18	4	3	7	6.9	15.766	36	Maize

Current lactation performance		Current Lactation No			3rd			
Recording no	Recording Date DD-MM-YYYY	Milk yield (Kg)			Fat%	Total Solids	Environmental Temp (celcius)	Forage Type
		Morning	Evening	Total				
1	3-Mar-18	9.1	8.01	17.11	5.9	14.668	33	Berseem
2	3-Apr-18	8.6	8.7	17.3	6.2	15.034	39	Berseem
3	3-May-18	8.1	8.4	16.5	6.2	15.156	42	Berseem
4	3-Jun-18	8	8.3	16.3	6.3	15.278	42	Maize
5	3-Jul-18	7.23	7.3	14.53	6.5	15.522	43	Maize
6	3-Aug-18	4.05	5.35	9.4	6.7	15.522	40	Maize
7	3-Sep-18	5.8	5.3	11.1	6.8	15644	38	Sorghum
8	3-Oct-18	4.27	3.1	7.37	6.8	15.766	37	Sorghum
9	3-Nov-18	4	3	7	6.9	15.766	36	Maize

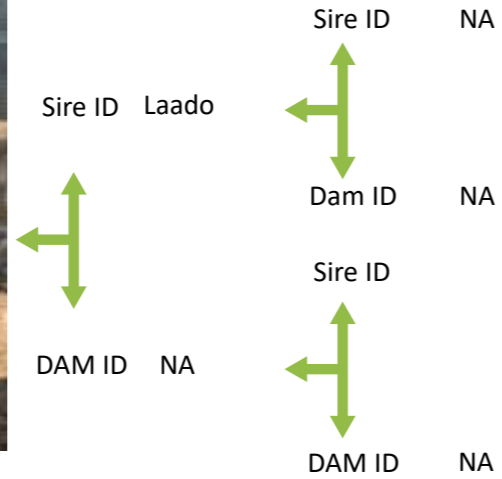
Performance History & Progeny Record

Performance History					Progeny Record		
Lactation no	Date of Calving MM-DD-YYYY	Date of Dry MM-DD-YYYY	Lactation Length	Milk yield (Lit.)	Calf ID	Sire ID	Sex
1	10-1-16	9-10-17	344	1907	NA	NA	NA
2	12-16-17	NA	NA	NA	B-32	Heer	Female
3							

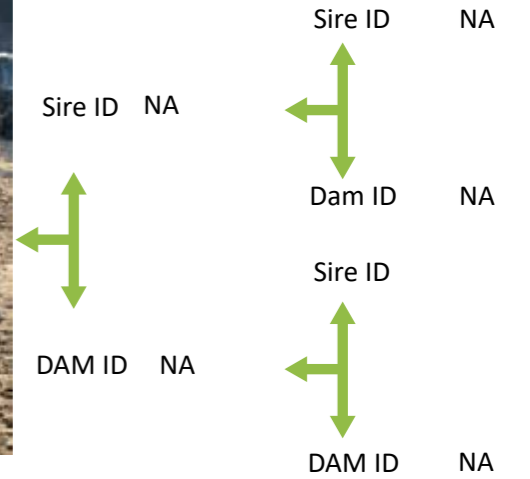
Performance History & Progeny Record

Performance History					Progeny Record		
Lactation no	Date of Calving MM-DD-YYYY	Date of Dry MM-DD-YYYY	Lactation Length	Milk yield (Lit.)	Calf ID	Sire ID	Sex
1	8-30-15	7-29-16	334	1907	B-14	Landa	Female
2	9-12-16	9-10-17	363	2398	B-29	Heer	Male
3	12-31-17				NA	Heer	Female

International ID	Project ID	Buffalo Name	Breed	Date Of Birth
PKB-KS-001-012-158	Tag#158	Kabootri	Nili Ravi	31-July-2008



International ID	Project ID	Buffalo Name	Breed	Date Of Birth
PKB-KS-001-012-159	Tag#159	Mitho	Nili Ravi	10/11/2014



Current lactation performance		Current Lactation No			5th	Fat%	Total Solids	Environmental Temp (celcius)	Forage Type
Recording no	Recording Date DD-MM-YYYY	Milk yield (Kg)							
		Morning	Evening	Total					
1	3-Mar-18	6.9	7.8	14.7	5.9	14.668	33	Berseem	
2	3-Apr-18	7.5	7	14.5	6.2	15.034	39	Berseem	
3	3-May-18	6.9	7.2	14.1	6.2	15.156	42	Berseem	
4	3-Jun-18	5.9	5.4	11.3	6.3	15.278	42	Maize	
5	3-Jul-18	5.5	5.1	10.6	6.5	15.522	43	Maize	
6	3-Aug-18	4.9	4.7	9.6	6.7	15.522	40	Maize	
7	3-Sep-18	3.5	4.2	7.7	6.8	15644	38	Sorghum	
8	3-Oct-18	3	3.4	6.4	6.8	15.766	37	Sorghum	
9	3-Nov-18	3	2.4	5.4	6.9	15.766	36	Maize	

Current lactation performance		Current Lactation No			1st	Fat%	Total Solids	Environmental Temp (celcius)	Forage Type
Recording no	Recording Date DD-MM-YYYY	Milk yield (Kg)							
		Morning	Evening	Total					
1	3-Mar-18	7.9	7.3	15.2	5.9	14.668	33	Berseem	
2	3-Apr-18	7.05	8.34	15.39	6.2	15.034	39	Berseem	
3	3-May-18	5.9	6.854	12.754	6.2	15.156	42	Berseem	
4	3-Jun-18	5.2	6.57	11.77	6.3	15.278	42	Maize	
5	3-Jul-18	4.8	6.23	11.03	6.5	15.522	43	Maize	
6	3-Aug-18	4	4.9	8.9	6.7	15.522	40	Maize	
7	3-Sep-18	3.7	4.9	8.6	6.8	15644	38	Sorghum	
8	3-Oct-18	4	4.85	8.85	6.8	15.766	37	Sorghum	
9	3-Nov-18	2	3.2	5.2	6.9	15.766	36	Maize	

Performance History & Progeny Record

Performance History					Progeny Record		
Lactation no	Date of Calving MM-DD-YYYY	Date of Dry MM-DD-YYYY	Lactation Length	Milk yield (Lit.)	Calf ID	Sire ID	Sex
1	4-30-15	5-29-16	395	2103	B-17	Landa	Female
2	8-1-16	8-10-17	374	2299	B-28	Muchal	Female
3	1-31-18				B-31	Heer	Female

Performance History & Progeny Record

Performance History					Progeny Record		
Lactation no	Date of Calving MM-DD-YYYY	Date of Dry MM-DD-YYYY	Lactation Length	Milk yield (Lit.)	Calf ID	Sire ID	Sex
1	1-19-18				B-32	Heer	Male
2							
3							

PP-013

Mian Minhaj Hotiana



Farmer Detail

Name	Mian Minhaj Hutiana
Address	Hota,20Km Hota Road District Pakpattan
Contact No	0346-7022333
CNIC	36402-7445888-1

Buffaloes Detail

Adults	Heifers	Calves	Bull	Total
43	23	31	2	99

Star Marked And changed colour is current practice of farmer from below Table

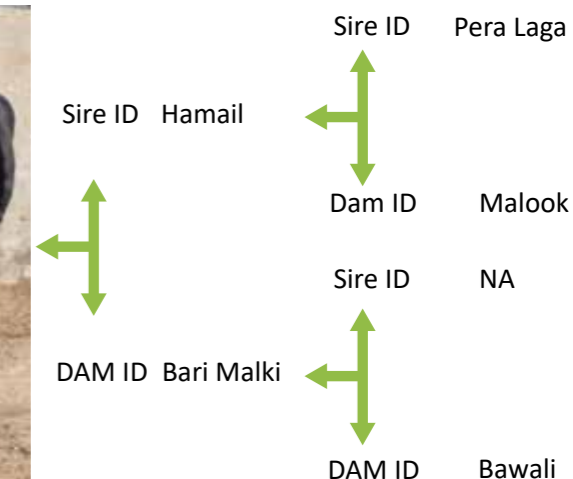
Feeding system

NFS	Necessary feeding system	Total mixed ration @3% Body wieght
* HIFS	High input feeding system	Forage ad lib+ Silage/Hay+Concentrate+free water access
MIFS	Medium input feeding system	Forage ad lib+ occasional Concentrate+free water access
LIFS	Low input feeding system	Forage ad lib+ water access on offering
PIFS	Poor input feeding system	Grazing from communal land+ Water access on offering

Housing System

Excellent	Loose stall,Proper feeding manger+Free access to pound+excellent Ventilation+Bedding in resting area
* Good	Loose stall, proper feeding manger+Once a day access to pound+resting area+excellent ventilation
Above average	Loose stall, proper feeding manger+resting area+good ventilation
Average	Tie stall+proper feeding manger+Resting area+good ventilation
Poor	Tie stall+poor ventilation+ No resting area

International ID	Project ID	Buffalo Name	Breed	Date Of Birth
PKB-PP-003-013-141	Tag#141	Malki	Nili	4/3/2012

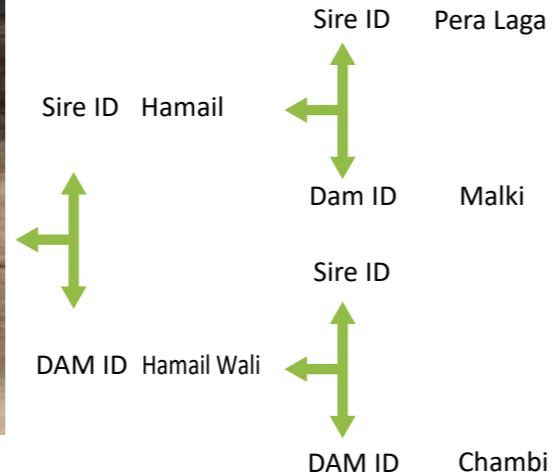


Recording no	Recording Date DD-MM-YYYY	Milk yield (Kg)			Fat%	Total Solids	Environmental Temp (celcius)	Forage Type
		Morning	Evening	Total				
1	3-Mar-18	8.01	6.2	14.21	6.2	15.034	32	Berseem
2	3-Apr-18	8.9	7.4	16.3	6.2	15.034	39	Berseem
3	3-May-18	8.4	7.25	15.65	6.4	15.156	42	Sorghum
4	3-Jun-18	8.3	8.8	17.1	6.3	15.278	42	Sorghum
5	3-Jul-18	7.3	8.7	16	6.4	15.522	43	Sorghum
6	3-Aug-18	5.35	5.4	10.75	6.5	15.522	40	Maize
7	3-Sep-18	5.3	5.25	10.55	6.8	15.644	38	Maize
8	3-Oct-18	3.1	5	8.1	6.9	15.766	37	Maize
9	3-Nov-18	3	4.5	7.5	6.9	15.766	36	Maize

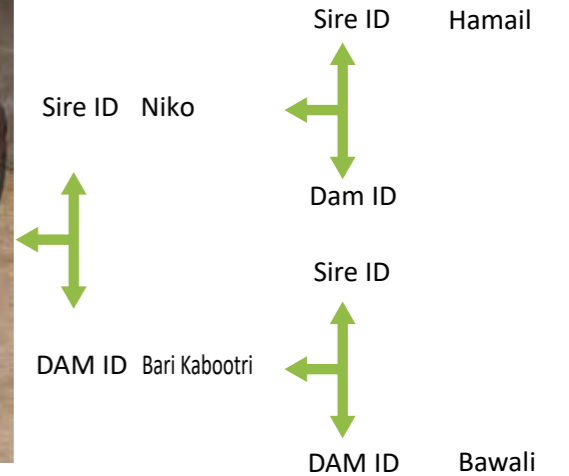
Performance History & Progeny Record

Performance History					Progeny Record		
Lactation no	Date of Calving MM-DD-YYYY	Date of Dry MM-DD-YYYY	Lactation Length	Milk yield (Lit.)	Calf ID	Sire ID	Sex
1	8-23-15	7-1-16	313	1980	B-21	NA	Female
2	9-1-16	10-12-17	406	2286	B-41	NA	Male
3	1-12-18				B-51	NA	Male

International ID	Project ID	Buffalo Name	Breed	Date Of Birth
PKB-PP-003-013-142	Tag#142	Bari Kabootri	Nili	9/2/2008



International ID	Project ID	Buffalo Name	Breed	Date Of Birth
PKB-PP-003-013-143	Tag#143	Bari Kabootri	Nili	9/2/2008



Current lactation performance		Current Lactation No			6th			
Recording no	Recording Date DD-MM-YYYY	Milk yield (Kg)			Fat%	Total Solids	Environmental Temp (celcius)	Forage Type
		Morning	Evening	Total				
1	3-Mar-18	6.43	7.5	13.93	6.2	15.034	32	Berseem
2	3-Apr-18	7.89	7.1	14.99	6.2	15.034	39	Berseem
3	3-May-18	6.9	7.6	14.5	6.4	15.156	42	Sorghum
4	3-Jun-18	6.1	5.9	12	6.3	15.278	42	Sorghum
5	3-Jul-18	5.8	5.4	11.2	6.4	15.522	43	Sorghum
6	3-Aug-18	4.1	5.6	9.7	6.5	15.522	40	Maize
7	3-Sep-18	4.05	5.4	9.45	6.8	15644	38	Maize
8	3-Oct-18	3.9	2.6	6.5	6.9	15.766	37	Maize
9	3-Nov-18	3	2.2	5.2	6.9	15.766	36	Maize

Current lactation performance		Current Lactation No			1st			
Recording no	Recording Date DD-MM-YYYY	Milk yield (Kg)			Fat%	Total Solids	Environmental Temp (celcius)	Forage Type
		Morning	Evening	Total				
1	3-Mar-18	5.3	6.4	11.7	6.2	15.034	32	Berseem
2	3-Apr-18	5.1	6.1	11.2	6.2	15.034	39	Berseem
3	3-May-18	4.8	5.2	10	6.4	15.156	42	Sorghum
4	3-Jun-18	4.3	4.7	9	6.3	15.278	42	Sorghum
5	3-Jul-18	4.1	4.8	8.9	6.4	15.522	43	Sorghum
6	3-Aug-18	4.2	4.3	8.5	6.5	15.522	40	Maize
7	3-Sep-18	3.9	4.7	8.6	6.8	15644	38	Maize
8	3-Oct-18	3.8	2.6	6.4	6.9	15.766	37	Maize
9	3-Nov-18	3.5	2.2	5.7	6.9	15.766	36	Maize

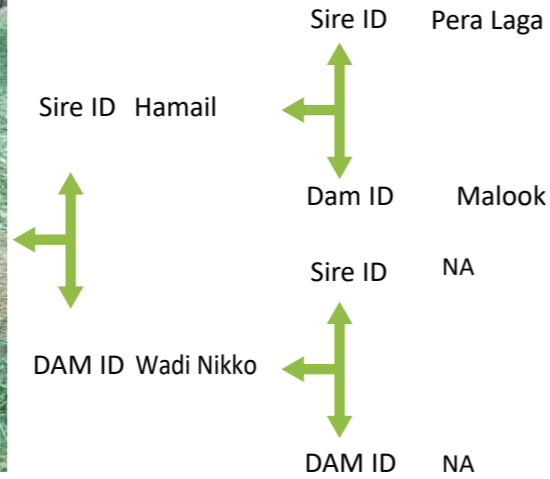
Performance History & Progeny Record

Performance History					Progeny Record		
Lactation no	Date of Calving MM-DD-YYYY	Date of Dry MM-DD-YYYY	Lactation Length	Milk yield (Lit.)	Calf ID	Sire ID	Sex
1	8-23-15	NA	NA	14 per day	B-22	Raju	Female
2	9-1-16	NA	NA	15 per day	B-42	Raju	Male
3	1-12-18				B-52	Mastana	Female

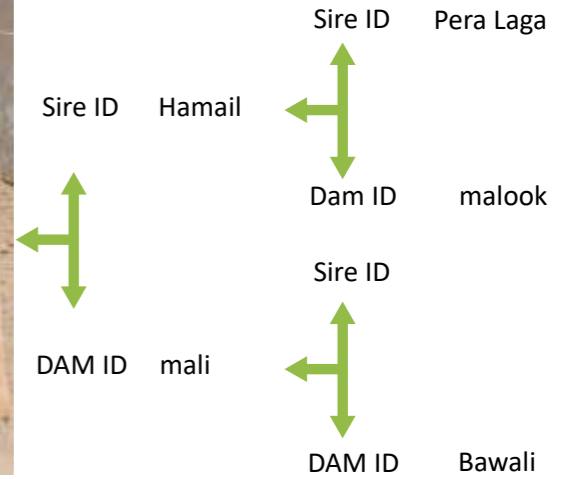
Performance History & Progeny Record

Performance History					Progeny Record		
Lactation no	Date of Calving MM-DD-YYYY	Date of Dry MM-DD-YYYY	Lactation Length	Milk yield (Lit.)	Calf ID	Sire ID	Sex
1	1-21-18	NA	NA	NA	B-24	NA	Female
2	NA	NA	NA	NA	NA	NA	NA
3	NA				NA	NA	NA

International ID	Project ID	Buffalo Name	Breed	Date Of Birth
PKB-PP-003-013-145	Tag#145	Niko	Nili	



International ID	Project ID	Buffalo Name	Breed	Date Of Birth
PKB-PP-003-013-144	Tag#144	Raaj	Nili	7/2/2007



Current lactation performance		Current Lactation No			2nd	Fat%	Total Solids	Environmental Temp (celcius)	Forage Type
Recording no	Recording Date DD-MM-YYYY	Milk yield (Kg)							
		Morning	Evening	Total					
1	3-Mar-18	6.43	9.43	15.86	6.2	15.034	32	Berseem	
2	3-Apr-18	7.89	9.345	17.235	6.2	15.034	39	Berseem	
3	3-May-18	7.2	8.6	15.8	6.4	15.156	42	Sorghum	
4	3-Jun-18	8.2	9.15	17.35	6.3	15.278	42	Sorghum	
5	3-Jul-18	7.3	8.15	15.45	6.4	15.522	43	Sorghum	
6	3-Aug-18	4.1	4.6	8.7	6.5	15.522	40	Maize	
7	3-Sep-18	3.9	5.67	9.57	6.8	15644	38	Maize	
8	3-Oct-18	3.428	4.1	7.528	6.9	15.766	37	Maize	
9	3-Nov-18	3	2.78	5.78	6.9	15.766	36	Maize	

Current lactation performance		Current Lactation No			7th	Fat%	Total Solids	Environmental Temp (celcius)	Forage Type
Recording no	Recording Date DD-MM-YYYY	Milk yield (Kg)							
		Morning	Evening	Total					
1	3-Mar-18	6.43	9.43	15.86	6.2	15.034	32	Berseem	
2	3-Apr-18	7.89	9.345	17.235	6.2	15.034	39	Berseem	
3	3-May-18	7.2	8.6	15.8	6.4	15.156	42	Sorghum	
4	3-Jun-18	8.2	9.15	17.35	6.3	15.278	42	Sorghum	
5	3-Jul-18	7.3	8.15	15.45	6.4	15.522	43	Sorghum	
6	3-Aug-18	4.1	4.6	8.7	6.5	15.522	40	Maize	
7	3-Sep-18	3.9	5.67	9.57	6.8	15644	38	Maize	
8	3-Oct-18	3.428	4.1	7.528	6.9	15.766	37	Maize	
9	3-Nov-18	3	2.78	5.78	6.9	15.766	36	Maize	

Performance History & Progeny Record

Performance History					Progeny Record		
Lactation no	Date of Calving MM-DD-YYYY	Date of Dry MM-DD-YYYY	Lactation Length	Milk yield (Lit.)	Calf ID	Sire ID	Sex
1	11-23-16	NA	NA	12	B-24	NA	Female
2	12-28-17	NA	NA	NA	B-42	NA	Nale
3	NA				NA	NA	NA

Performance History & Progeny Record

Performance History					Progeny Record		
Lactation no	Date of Calving MM-DD-YYYY	Date of Dry MM-DD-YYYY	Lactation Length	Milk yield (Lit.)	Calf ID	Sire ID	Sex
1	11-23-16	NA	NA	12	B-25	NA	Female
2	12-28-17	NA	NA	NA	B-46	NA	Nale
3	NA				B-52	NA	NA

FSD-014

Ch.Rafiq Gujjar



Farmer Detail

Name	Ch.Rafiq Gujjar
Address	Chack 208 RB,Jaranwala road faisalabad
Contact No	0323-7637208
CNIC	33100-8438931-9

Buffaloes Detail

Adults	Heifers	Calves	Bull	Total
20	8	11	1	40

Star Marked And changed colour is current practice of farmer from below Table

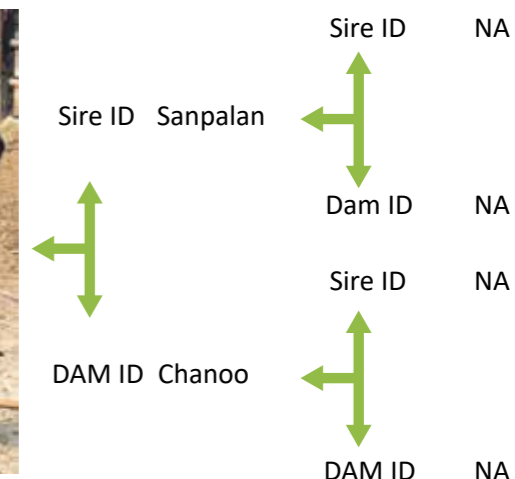
Feeding system

NFS	Necessary feeding system	Total mixed ration @3% Body wieght
HIFS	High input feeding system	Forage ad lib+ Silage/Hay+Concentrate+free water access
* MIFS	Medium input feeding system	Forage ad lib+ occasional Concentrate+free water access
LIFS	Low input feeding system	Forage ad lib+ water access on offering
PIFS	Poor input feeding system	Grazing from communal land+ Water access on offering

Housing System

Excellent	Loose stall,Proper feeding manger+Free access to pound+excellent Ventilation+Bedding in resting area
Good	Loose stall, proper feeding manger+Once a day access to pound+resting area+excellent ventilation
Above average	Loose stall, proper feeding manger+resting area+good ventilation
* Average	Tie stall+proper feeding manger+Resting area+good ventilation
Poor	Tie stall+poor ventilation+ No resting area

International ID	Project ID	Buffalo Name	Breed	Date Of Birth
PKB-FSD-005-014-206	Tag#206	Doodi	Nili Ravi	NA

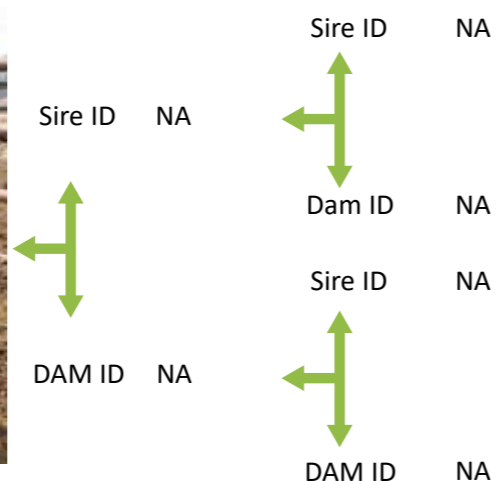


Recording no	Recording Date DD-MM-YYYY	Milk yield (Kg)			Fat%	Total Solids	Environmental Temp (celcius)	Forage Type
		Morning	Evening	Total				
1	22-Mar-18	8.1	8.2	16.3	6.2	15.034	32	Berseem
2	22-Apr-18	7.5	7.9	15.4	6.2	15.034	39	Berseem
3	22-May-18	6.1	6.8	12.9	6.4	15.156	42	Berseem
4	22-Jun-18	5.3	5.9	11.2	6.3	15.278	42	Maize
5	22-Jul-18	5.1	5.4	10.5	6.4	15.522	43	Sorghum
6	22-Aug-18	4.9	4.3	9.2	6.5	15.522	40	Sorghum
7	22-Sep-18	4.7	5	9.7	6.8	15.644	38	Sorghum
8	22-Oct-18	4.3	4.5	8.8	6.9	15.766	37	Maize
9	22-Nov-18	3.6	0	3.6	7.1	15.766	36	Maize

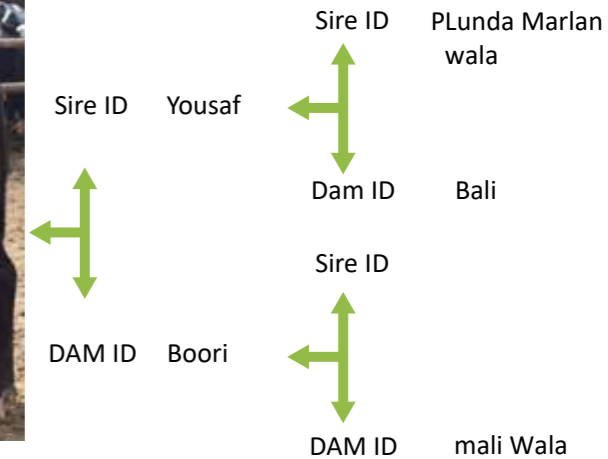
Performance History & Progeny Record

Performance History					Progeny Record		
Lactation no	Date of Calving MM-DD-YYYY	Date of Dry MM-DD-YYYY	Lactation Length	Milk yield (Lit.)	Calf ID	Sire ID	Sex
1	12-17-17				Phool	Noore Barral Wala	Female
2							
3							

International ID	Project ID	Buffalo Name	Breed	Date Of Birth
PKB-FSD-005-014-207	207	Malook	Nili	NA



International ID	Project ID	Buffalo Name	Breed	Date Of Birth
PKB-FSD-005-014-209	Tag#209	Mithi	Nili	4/3/2012



Current lactation performance		Current Lactation No			3rd	Fat%	Total Solids	Environmental Temp (celcius)	Forage Type
Recording no	Recording Date DD-MM-YYYY	Milk yield (Kg)							
		Morning	Evening	Total					
1	22-Mar-18	8.2	8.4	16.6	6.2	15.034	32	Berseem	
2	22-Apr-18	7.8	8	15.8	6.2	15.034	39	Berseem	
3	22-May-18	7.4	7.94	15.34	6.4	15.156	42	Berseem	
4	22-Jun-18	6.9	7.56	14.46	6.3	15.278	42	Maize	
5	22-Jul-18	6.4	6.5	12.9	6.4	15.522	43	Sorghum	
6	22-Aug-18	6	6.9	12.9	6.5	15.522	40	Sorghum	
7	22-Sep-18	5.3	5.4	10.7	6.8	15644	38	Sorghum	
8	22-Oct-18	4.8	4.9	9.7	6.9	15.766	37	Maize	
9	22-Nov-18	3.2	4.4	7.6	7.1	15.766	36	Maize	

Current lactation performance		Current Lactation No			1st	Total Solids	Environmental Temp (celcius)	Forage Type
Recording no	Recording Date DD-MM-YYYY	Morning	Evening	Total	Fat%			
1	22-Mar-18	8.432	7.65	16.082	6.2	15.034	32	Berseem
2	22-Apr-18	7.34	7.582	14.922	6.2	15.034	39	Berseem
3	22-May-18	7.13	7.7	14.83	6.4	15.156	42	Sorghum
4	22-Jun-18	6.5	7.8	14.3	6.3	15.278	42	Sorghum
5	22-Jul-18	6.3	6.5	12.8	6.4	15.522	43	Sorghum
6	22-Aug-18	5.9	5.5	11.4	6.5	15.522	40	Maize
7	22-Sep-18	3.7	3.4	7.1	6.8	15644	38	Maize
8	22-Oct-18	3.9	3.75	7.65	6.9	15.766	37	Maize
9	22-Nov-18	2	3	5	6.9	15.766	36	Maize

Performance History & Progeny Record

Performance History					Progeny Record		
Lactation no	Date of Calving MM-DD-YYYY	Date of Dry MM-DD-YYYY	Lactation Length	Milk yield (Lit.)	Calf ID	Sire ID	Sex
1	NA	NA	NA	NA	NA	NA	NA
2	NA	NA	NA	NA	NA	NA	NA
3	12-17-17				Chiri	NA	Female

Performance History & Progeny Record

Performance History					Progeny Record		
Lactation no	Date of Calving MM-DD-YYYY	Date of Dry MM-DD-YYYY	Lactation Length	Milk yield (Lit.)	Calf ID	Sire ID	Sex
1	NA	NA	NA	NA	NA	saeed Hotiana wala	Male
2	NA	NA	NA	NA	NA	saeed Hotiana wala	Male
3	NA				NA	Yousaf marl wala	Female

KS-015

CH.Tariq



Farmer Detail

Name	CH.Tariq
Address	Shamkot Kasur
Contact No	0321-3212400
CNIC	35101-2489667-5

Buffaloes Detail

Adults	Heifers	Calves	Bull	Total
20	7	11	1	39

Star Marked And changed colour is current practice of farmer from below Table

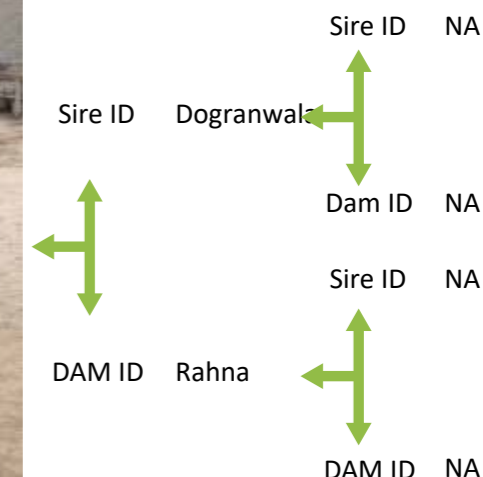
Feeding system

NFS	Necessary feeding system	Total mixed ration @3% Body wieght
* HIFS	High input feeding system	Forage ad lib+ Silage/Hay+Concentrate+free water access
MIFS	Medium input feeding system	Forage ad lib+ occasional Concentrate+free water access
LIFS	Low input feeding system	Forage ad lib+ water access on offering
PIFS	Poor input feeding system	Grazing from communal land+ Water access on offering

Housing System

Excellent	Loose stall,Proper feeding manger+Free access to pound+excellent Ventilation+Bedding in resting area
Good	Loose stall, proper feeding manger+Once a day access to pound+resting area+excellent ventilation
Above average	Loose stall, proper feeding manger+resting area+good ventilation
* Average	Tie stall+proper feeding manger+Resting area+good ventilation
Poor	Tie stall+poor ventilation+ No resting area

International ID	Project ID	Buffalo Name	Breed	Date Of Birth
PKB-KS-002-015-044	Tag#44	Raami	Nili	9/2/2013

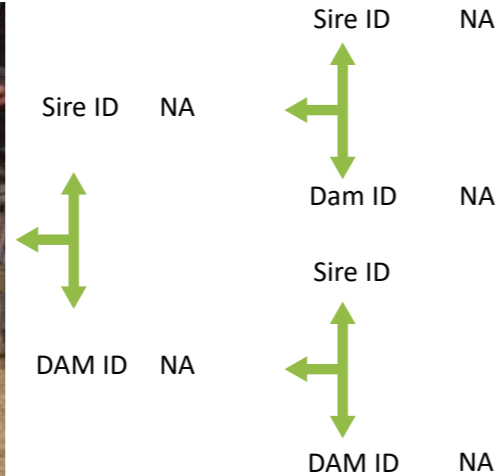


Recording no	Recording Date DD-MM-YYYY	Milk yield (Kg)			Fat%	Total Solids	Environmental Temp (celcius)	Forage Type
		Morning	Evening	Total				
1	1-Mar-18	6.6	7.5	14.1	6	14.912	32	Berseem
2	1-Apr-18	7.3	7.1	14.4	6	15.034	39	Berseem
3	1-May-18	7.1	5.5	12.6	6.1	15.156	42	Berseem
4	1-Jun-18	6.9	5.02	11.92	6.2	15.278	45	Maize
5	1-Jul-18	5.3	4.9	10.2	6.2	15.522	44	Maize
6	1-Aug-18	5.45	4.7	10.15	6.1	15.522	39	Sorghum
7	1-Sep-18	4.35	3.4	7.75	6.4	15.644	41	Sorghum
8	1-Oct-18	4	3.75	7.75	6.3	15.766	36	Sorghum
9	1-Nov-18	3.5	3	6.5	6.4	15.766	35	Sorghum

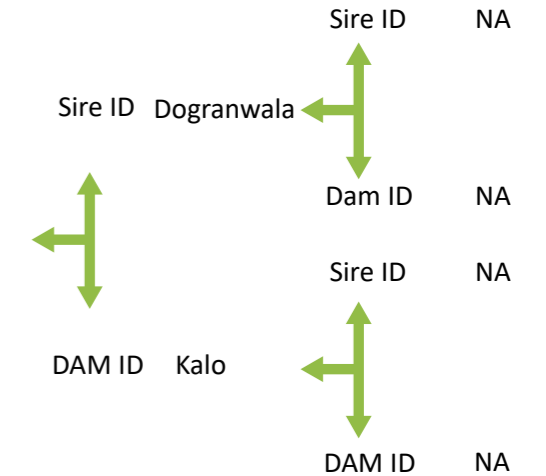
Performance History & Progeny Record

Performance History					Progeny Record		
Lactation no	Date of Calving MM-DD-YYYY	Date of Dry MM-DD-YYYY	Lactation Length	Milk yield (Lit.)	Calf ID	Sire ID	Sex
1	1-12-18	NA	NA	NA	B-1	Bagi	Male
2							
3							

International ID	Project ID	Buffalo Name	Breed	Date Of Birth
PKB-KS-002-015-045	Tag#45	Rhangi	Nili Ravi	9/2/2013



International ID	Project ID	Buffalo Name	Breed	Date Of Birth
PKB-KS-002-015-048	Tag#48	Morni	Nili	8/1/2013



Current lactation performance		Current Lactation No			3th			
Recording no	Recording Date DD-MM-YYYY	Milk yield (Kg)			Fat%	Total Solids	Environmental Temp (celcius)	Forage Type
		Morning	Evening	Total				
1	1-Mar-18	7.8	7.9	15.7	6	14.912	32	Berseem
2	1-Apr-18	7	7.05	14.05	6	15.034	39	Berseem
3	1-May-18	7.2	5.9	13.1	6.1	15.156	42	Berseem
4	1-Jun-18	5.4	5.2	10.6	6.2	15.278	45	Maize
5	1-Jul-18	5.1	4.8	9.9	6.2	15.522	44	Maize
6	1-Aug-18	4.7	4	8.7	6.1	15.522	39	Sorghum
7	1-Sep-18	4.2	3.7	7.9	6.4	15644	41	Sorghum
8	1-Oct-18	3.4	4	7.4	6.3	15.766	36	Sorghum
9	1-Nov-18	2.4	2	4.4	6.4	15.766	35	Sorghum

Current lactation performance		Current Lactation No			1st			
Recording no	Recording Date DD-MM-YYYY	Milk yield (Kg)			Fat%	Total Solids	Environmental Temp (celcius)	Forage Type
		Morning	Evening	Total				
1	1-Mar-18	6.6	6.9	13.5	6	14.912	32	Berseem
2	1-Apr-18	7	7.2	14.2	6	15.034	39	Berseem
3	1-May-18	6.5	6.3	12.8	6.1	15.156	42	Berseem
4	1-Jun-18	6.2	7.67	13.87	6.2	15.278	45	Maize
5	1-Jul-18	5.7	6	11.7	6.2	15.522	44	Maize
6	1-Aug-18	5.45	5.05	10.5	6.1	15.522	39	Sorghum
7	1-Sep-18	4.35	1.1	5.45	6.4	15644	41	Sorghum
8	1-Oct-18	4	0	4	6.3	15.766	36	Sorghum
9	1-Nov-18	3.5	0	3.5	6.4	15.766	35	Sorghum

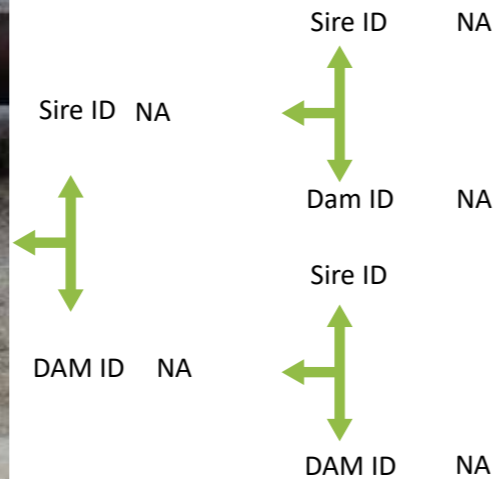
Performance History & Progeny Record

Performance History					Progeny Record		
Lactation no	Date of Calving MM-DD-YYYY	Date of Dry MM-DD-YYYY	Lactation Length	Milk yield (Lit.)	Calf ID	Sire ID	Sex
1	NA	NA	NA	NA	NA	NA	NA
2	NA	NA	NA	NA	NA	NA	NA
3	1-10-18				B-21	NA	Female

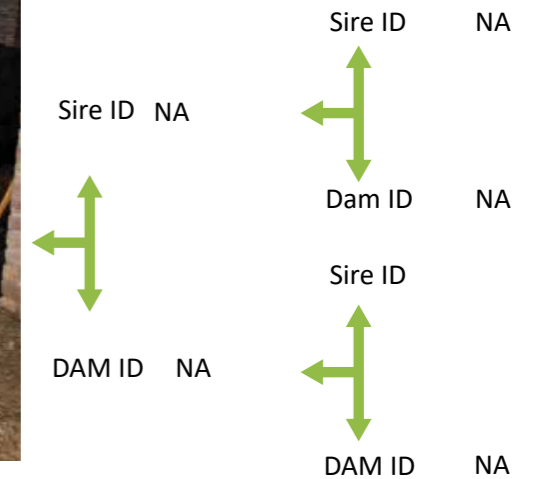
Performance History & Progeny Record

Performance History					Progeny Record		
Lactation no	Date of Calving MM-DD-YYYY	Date of Dry MM-DD-YYYY	Lactation Length	Milk yield (Lit.)	Calf ID	Sire ID	Sex
1	1-3-19	NA	NA	NA	B-2	Bagi	Male
2							
3							

International ID	Project ID	Buffalo Name	Breed	Date Of Birth
PKB-KS-002-015-275	Tag#275	Maroo	Nili Ravi	



International ID	Project ID	Buffalo Name	Breed	Date Of Birth
PKB-KS-002-015-170	Tag#170	Kalo	Nili Ravi	NA



Recording no	Recording Date DD-MM-YYYY	Current lactation performance			Fat%	Total Solids	Environmental Temp (celcius)	Forage Type
		Milk yield (Kg)						
		Morning	Evening	Total				
1	1-Mar-18	7.8	6.9	14.7	6	14.912	32	Berseem
2	1-Apr-18	7.2	7.5	14.7	6	15.034	39	Berseem
3	1-May-18	5.5	6.9	12.4	6.1	15.156	42	Berseem
4	1-Jun-18	5.02	5.9	10.92	6.2	15.278	45	Maize
5	1-Jul-18	4.9	5.5	10.4	6.2	15.522	44	Maize
6	1-Aug-18	3.7	4.9	8.6	6.1	15.522	39	Sorghum
7	1-Sep-18	3.4	3.5	6.9	6.4	15.644	41	Sorghum
8	1-Oct-18	3.75	3	6.75	6.3	15.766	36	Sorghum
9	1-Nov-18	3	3	6	6.4	15.766	35	Sorghum

Recording no	Recording Date DD-MM-YYYY	Current lactation performance			Fat%	Total Solids	Environmental Temp (celcius)	Forage Type
		Milk yield (Kg)						
		Morning	Evening	Total				
1	1-Mar-18	7.25	6.9	14.15	6	14.912	32	Berseem
2	1-Apr-18	7.1	7.5	14.6	6	15.034	39	Berseem
3	1-May-18	6.8	6.9	13.7	6.1	15.156	42	Berseem
4	1-Jun-18	7	5.9	12.9	6.2	15.278	45	Maize
5	1-Jul-18	6.5	5.5	12	6.2	15.522	44	Maize
6	1-Aug-18	5.33	4.9	10.23	6.1	15.522	39	Sorghum
7	1-Sep-18	4.9	3.5	8.4	6.4	15.644	41	Sorghum
8	1-Oct-18	4	3	7	6.3	15.766	36	Sorghum
9	1-Nov-18	3.5	3	6.5	6.4	15.766	35	Sorghum

Performance History & Progeny Record

Performance History					Progeny Record		
Lactation no	Date of Calving MM-DD-YYYY	Date of Dry MM-DD-YYYY	Lactation Length	Milk yield (Lit.)	Calf ID	Sire ID	Sex
1	NA	NA	NA	NA	NA	NA	NA
2	1-21-18	NA	NA	NA	B-21	NA	Male
3							

Performance History & Progeny Record

Performance History					Progeny Record		
Lactation no	Date of Calving MM-DD-YYYY	Date of Dry MM-DD-YYYY	Lactation Length	Milk yield (Lit.)	Calf ID	Sire ID	Sex
1	NA	NA	NA	NA	NA	NA	NA
2	12-30-17	NA	NA	NA	B-20	Chanu wala	Male
3							

FSD-016

Muhammad Javed Sardar



Farmer Detail

Name	Muhammad Javed Sardar
Address	Chack 208 RB,Jaranwala Faisalabad
Contact No	0300-7605475
CNIC	33100-9303492-1

Buffaloes Detail

Adults	Heifers	Calves	Bull	Total
25	12	19	1	57

Star Marked And changed colour is current practice of farmer from below Table

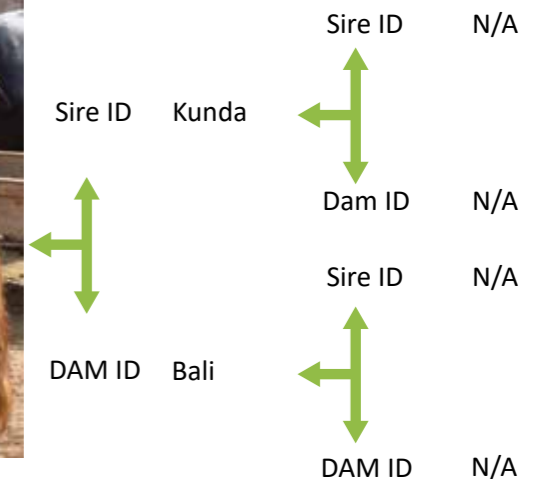
Feeding system

NFS	Necessary feeding system	Total mixed ration @3% Body wieght
HIFS	High input feeding system	Forage ad lib+ Silage/Hay+Concentrate+free water access
* MIFS	Medium input feeding system	Forage ad lib+ occasional Concentrate+free water access
LIFS	Low input feeding system	Forage ad lib+ water access on offering
PIFS	Poor input feeding system	Grazing from communal land+ Water access on offering

Housing System

Excellent	Loose stall,Proper feeding manger+Free access to pound+excellent Ventilation+Bedding in resting area
Good	Loose stall, proper feeding manger+Once a day access to pound+resting area+excellent ventilation
Above average	Loose stall, proper feeding manger+resting area+good ventilation
* Average	Tie stall+proper feeding manger+Resting area+good ventilation
Poor	Tie stall+poor ventilation+ No resting area

International ID	Project ID	Buffalo Name	Breed	Date Of Birth
PKB-FSD-005-016-216	Tag#216	Khushaal	Nili Ravi	N/A

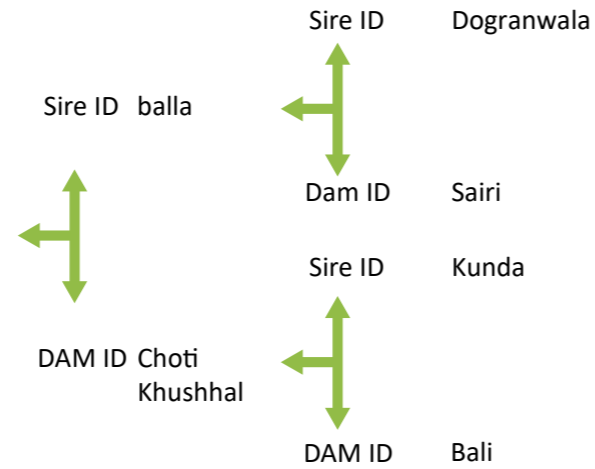


Recording no	Recording Date DD-MM-YYYY	Milk yield (Kg)			Fat%	Total Solids	Environmental Temp (celcius)	Forage Type
		Morning	Evening	Total				
1	25-Mar-18	8.3	9	17.3	6.2	15.034	32	Berseem
2	25-Apr-18	9.49	9.64	19.13	6.3	15.156	40	Berseem
3	25-May-18	8.675	8.98	17.655	6.3	15.156	42	Berseem
4	25-Jun-18	7.5	8.3	15.8	6.4	15.278	45	Sorghum
5	25-Jul-18	7.45	7.5	14.95	6.4	15.278	44	Sorghum
6	25-Aug-18	4.75	5.05	9.8	6.4	15.278	39	Sorghum
7	25-Sep-18	6	5.35	11.35	6.7	15.644	41	Sorghum
8	25-Oct-18	3.535	3.75	7.285	6.7	15.644	36	Maize
9	25-Nov-18	3	2.5	5.5	6.9	15.888	35	Maize

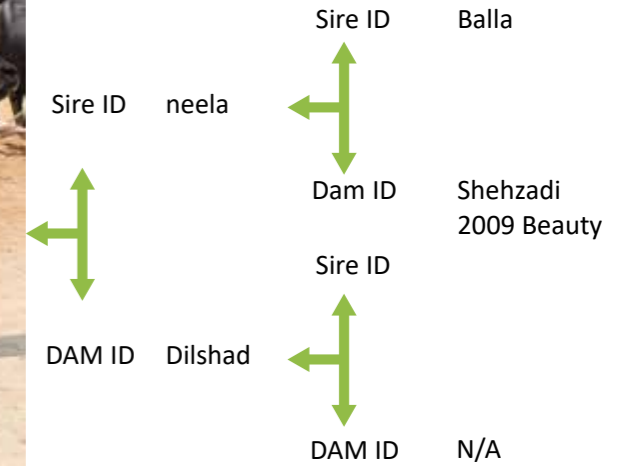
Performance History & Progeny Record

Performance History					Progeny Record		
Lactation no	Date of Calving MM-DD-YYYY	Date of Dry MM-DD-YYYY	Lactation Length	Milk yield (Lit.)	Calf ID	Sire ID	Sex
1	N/A	N/A	N/A	20 liter	N/A	Qb-935	male
2	12-1-16			20 liter		Dogaranwal	male
3	1-22-18					Dogaranwal	male

International ID	Project ID	Buffalo Name	Breed	Date Of Birth
PKB-FSD-005-016-217	Tag#217	Choti	Nili-Ravi	N/A



International ID	Project ID	Buffalo Name	Breed	Date Of Birth
PKB-FSD-005-016-218	Tag#218	pari	Nili-Ravi	N/A



Current lactation performance		Current Lactation No			1st	Fat%	Total Solids	Environmental Temp (celcius)	Forage Type
Recording no	Recording Date DD-MM-YYYY	Milk yield (Kg)							
		Morning	Evening	Total					
1	25-Mar-18	5.2	5	10.2	6.2				
2	25-Apr-18	5	5.73	10.73	6.3				
3	25-May-18	5.1	5.82	10.92	6.3				
4	25-Jun-18	4.7	5.13	9.83	6.4				
5	25-Jul-18	4.9	4.82	9.72	6.4				
6	25-Aug-18	4.05	4.74	8.79	6.4				
7	25-Sep-18	3.9	4	7.9	6.7				
8	25-Oct-18	3.8	3.1	6.9	6.7				
9	25-Nov-18	4	3	7	6.9				

Current lactation performance		Current Lactation No			3rd	Fat%	Total Solids	Environmental Temp (celcius)	Forage Type
Recording no	Recording Date DD-MM-YYYY	Milk yield (Kg)							
		Morning	Evening	Total					
1	25-Mar-18	6.9	7.7	14.6	6.2				
2	25-Apr-18	7.2	8.3	15.5	6.3				
3	25-May-18	8.2	8.6	16.8	6.3				
4	25-Jun-18	7.67	8.05	15.72	6.4				
5	25-Jul-18	7.2	7.3	14.5	6.4				
6	25-Aug-18	5.05	5.75	10.8	6.4				
7	25-Sep-18	3.4	4.3	7.7	6.7				
8	25-Oct-18	3.3	4	7.3	6.7				
9	25-Nov-18	3	2.5	5.5	6.9				

Performance History & Progeny Record

Performance History					Progeny Record		
Lactation no	Date of Calving MM-DD-YYYY	Date of Dry MM-DD-YYYY	Lactation Length	Milk yield (Lit.)	Calf ID	Sire ID	Sex
1	12-29-17	N/A	N/A	N/A	N/A	kala Jhota	Female
2							
3							

Performance History & Progeny Record

Performance History					Progeny Record		
Lactation no	Date of Calving MM-DD-YYYY	Date of Dry MM-DD-YYYY	Lactation Length	Milk yield (Lit.)	Calf ID	Sire ID	Sex
1	N/A	N/A	N/A	N/A	N/A	Dogranwala	Female
2	1-20-18					Dogranwala	Female
3						kala Jhota	Female

FSD-017

Rana Naveed Abid



Farmer Detail

Name	Rana Naveed
Address	Chack 208 RB, Jaranwala road Faisalabad
Contact No	0301-8650208
CNIC	33102-1796859-9

Buffaloes Detail

Adults	Heifers	Calves	Bull	Total
22	11	14	1	48

Star Marked And changed colour is current practice of farmer from below Table

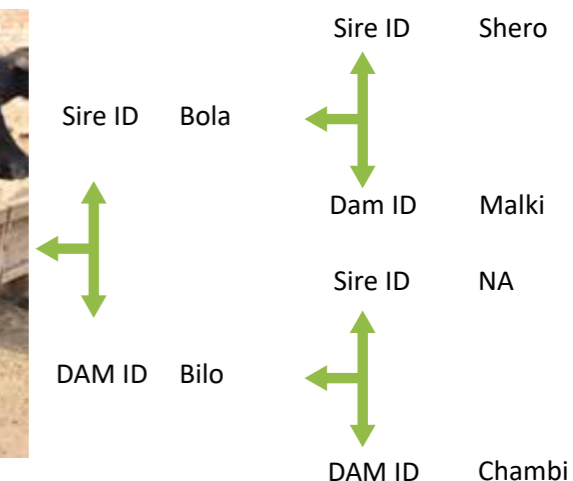
Feeding system

NFS	Necessary feeding system	Total mixed ration @3% Body weight
HIFS	High input feeding system	Forage ad lib+ Silage/Hay+Concentrate+free water access
* MIFS	Medium input feeding system	Forage ad lib+ occasional Concentrate+free water access
LIFS	Low input feeding system	Forage ad lib+ water access on offering
PIFS	Poor input feeding system	Grazing from communal land+ Water access on offering

Housing System

Excellent	Loose stall, Proper feeding manger+Free access to pound+excellent Ventilation+Bedding in resting area
* Good	Loose stall, proper feeding manger+Once a day access to pound+resting area+excellent ventilation
Above average	Loose stall, proper feeding manger+resting area+good ventilation
Average	Tie stall+proper feeding manger+Resting area+good ventilation
Poor	Tie stall+poor ventilation+ No resting area

International ID	Project ID	Buffalo Name	Breed	Date Of Birth
PKB-FSD-005-017-211	Tag#211	Chandi	Nili Ravi	N/A

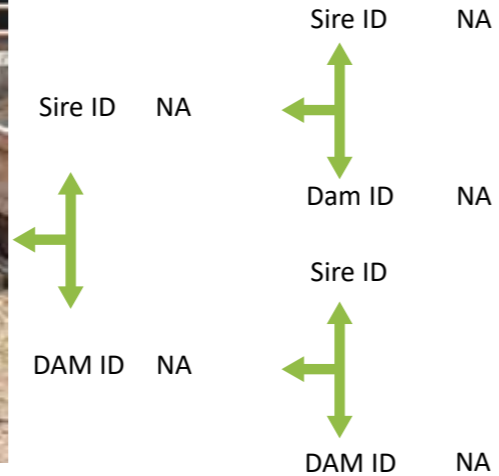


Recording no	Recording Date DD-MM-YYYY	Milk yield (Kg)			Fat%	Total Solids	Environmental Temp (celcius)	Forage Type
		Morning	Evening	Total				
1	22-Mar-18	5.7	6.8	12.5	5.9	15.156	32	Berseem
2	22-Apr-18	6.6	7.6	14.2	6.2	15.034	38	Berseem
3	22-May-18	8.2	9.2	17.37	6.2	15.156	42	Berseem
4	22-Jun-18	7.9	8.7	16.6	6.3	15.278	44	Maize
5	22-Jul-18	7.1	6.9	14	6.5	15.522	44	Sorghum
6	22-Aug-18	6.3	6.1	12.4	6.7	15.522	39	Sorghum
7	22-Sep-18	5.8	5.6	11.4	6.8	15.644	38	Sorghum
8	22-Oct-18	5.2	5.2	10.4	6.8	15.766	35	Maize
9	22-Nov-18	5	4.2	9.2	6.9	15.766	32	Maize

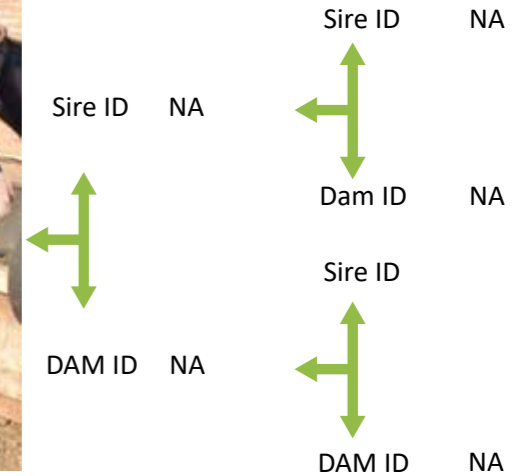
Performance History & Progeny Record

Performance History					Progeny Record		
Lactation no	Date of Calving MM-DD-YYYY	Date of Dry MM-DD-YYYY	Lactation Length	Milk yield (Lit.)	Calf ID	Sire ID	Sex
1	NA	NA	NA	11	NA	Jugoo	Male
2	3-7-18	NA	NA	NA	NA	Jugoo	Male
3							

International ID	Project ID	Buffalo Name	Breed	Date Of Birth
PKB-FSD-005-017-214	Tag#214	Chumbali	Nili Ravi	N/A



International ID	Project ID	Buffalo Name	Breed	Date Of Birth
PKB-FSD-005-017-219	Tag#219	Rani	Nili Ravi	N/A



Current lactation performance		Current Lactation No			2nd	Fat%	Total Solids	Environmental Temp (celcius)	Forage Type
Recording no	Recording Date DD-MM-YYYY	Milk yield (Kg)							
		Morning	Evening	Total					
1	22-Mar-18	7.2	8.43	15.63	5.9	15.156	32	Berseem	
2	22-Apr-18	9.784	8.789	18.573	6.2	15.034	38	Berseem	
3	22-May-18	8.9	8.7	17.6	6.2	15.156	42	Berseem	
4	22-Jun-18	7.9	8.2	16.1	6.3	15.278	44	Maize	
5	22-Jul-18	7.65	6.987	14.637	6.5	15.522	44	Sorghum	
6	22-Aug-18	6.45	5.9	12.35	6.7	15.522	39	Sorghum	
7	22-Sep-18	4.2	5.4	9.6	6.8	15644	38	Sorghum	
8	22-Oct-18	4.13	2.6	6.73	6.8	15.766	35	Maize	
9	22-Nov-18	3.5	2.2	5.7	6.9	15.766	32	Maize	

Current lactation performance		Current Lactation No			3rd	Fat%	Total Solids	Environmental Temp (celcius)	Forage Type
Recording no	Recording Date DD-MM-YYYY	Milk yield (Kg)							
		Morning	Evening	Total					
1	22-Mar-18	6.5	6.3	12.8	5.9	15.156	32	Berseem	
2	22-Apr-18	7.2	7.4	14.6	6.2	15.034	38	Berseem	
3	22-May-18	8.7	7.25	15.95	6.2	15.156	42	Berseem	
4	22-Jun-18	8.1	8.8	16.9	6.3	15.278	44	Maize	
5	22-Jul-18	8.2	8.6	16.8	6.5	15.522	44	Sorghum	
6	22-Aug-18	5.45	5.4	10.85	6.7	15.522	39	Sorghum	
7	22-Sep-18	4.35	5.25	9.6	6.8	15644	38	Sorghum	
8	22-Oct-18	4	5	9	6.8	15.766	35	Maize	
9	22-Nov-18	3.5	4.5	8	6.9	15.766	32	Maize	

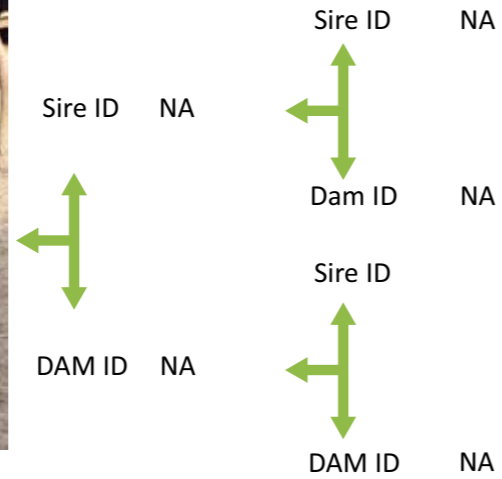
Performance History & Progeny Record

Performance History					Progeny Record		
Lactation no	Date of Calving MM-DD-YYYY	Date of Dry MM-DD-YYYY	Lactation Length	Milk yield (Lit.)	Calf ID	Sire ID	Sex
1	NA	NA	NA	NA	NA	NA	NA
2	02-17-18	NA	NA	NA	NA	Lunda	Female
3	NA				NA	NA	NA

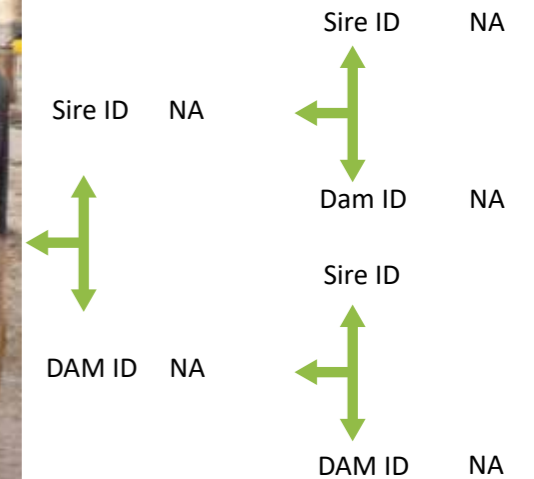
Performance History & Progeny Record

Performance History					Progeny Record		
Lactation no	Date of Calving MM-DD-YYYY	Date of Dry MM-DD-YYYY	Lactation Length	Milk yield (Lit.)	Calf ID	Sire ID	Sex
1	NA	NA	NA	NA	NA	NA	NA
2	NA	NA	NA	NA	NA	NA	NA
3	02-03-18				NA	Lunda	Male

International ID	Project ID	Buffalo Name	Breed	Date Of Birth
PKB-FSD-005-017-213	Tag#213	Chandni	Nili	N/A



International ID	Project ID	Buffalo Name	Breed	Date Of Birth
PKB-FSD-005-017-263	Tag#263	Balli	Nili	N/A



Current lactation performance		Current Lactation No			2nd	Fat%	Total Solids	Environmental Temp (celcius)	Forage Type
Recording no	Recording Date DD-MM-YYYY	Milk yield (Kg)							
		Morning	Evening	Total					
1	22-Mar-18	8	7.234	15.234	5.9	15.156	32	Berseem	
2	22-Apr-18	8.7	8.9	17.6	6.2	15.034	38	Berseem	
3	22-May-18	8.1	8.4	16.5	6.2	15.156	42	Berseem	
4	22-Jun-18	8	8.3	16.3	6.3	15.278	44	Maize	
5	22-Jul-18	7.23	7.3	14.53	6.5	15.522	44	Sorghum	
6	22-Aug-18	5.5	5.35	10.85	6.7	15.522	39	Sorghum	
7	22-Sep-18	502	5.3	10.32	6.8	15644	38	Sorghum	
8	22-Oct-18	4.27	3.1	7.37	6.8	15.766	35	Maize	
9	22-Nov-18	4	3	7	6.9	15.766	32	Maize	

Current lactation performance		Current Lactation No			2nd	Fat%	Total Solids	Environmental Temp (celcius)	Forage Type
Recording no	Recording Date DD-MM-YYYY	Milk yield (Kg)							
		Morning	Evening	Total					
1	22-Mar-18	7.5	8.3	15.8	6.3	15.156	32	Berseem	
2	22-Apr-18	7.45	7.5	14.95	6.3	15.034	38	Berseem	
3	22-May-18	8.2	8.98	17.18	6.4	15.156	42	Berseem	
4	22-Jun-18	7.3	8.023	15.323	6.5	15.278	44	Maize	
5	22-Jul-18	7.45	7.2	14.65	6.5	15.522	44	Sorghum	
6	22-Aug-18	4.75	5.05	9.8	6.7	15.522	39	Sorghum	
7	22-Sep-18	6	5.35	11.35	6.8	15644	38	Sorghum	
8	22-Oct-18	3.535	3.75	7.285	6.9	15.766	35	Maize	
9	22-Nov-18	3	2.5	5.5	6.9	15.766	32	Maize	

Performance History & Progeny Record

Performance History					Progeny Record		
Lactation no	Date of Calving MM-DD-YYYY	Date of Dry MM-DD-YYYY	Lactation Length	Milk yield (Lit.)	Calf ID	Sire ID	Sex
1	NA	NA	NA	NA	NA	NA	Male
2	NA	NA	NA	NA	NA	jugnoo	Male
3	3-1-18				NA	jugnoo	Male

Performance History & Progeny Record

Performance History					Progeny Record		
Lactation no	Date of Calving MM-DD-YYYY	Date of Dry MM-DD-YYYY	Lactation Length	Milk yield (Lit.)	Calf ID	Sire ID	Sex
1	NA	NA	NA	NA	NA	Gujran	Male
2	2-18-18	NA	NA	NA	NA	Rana	Female
3							

FSD-018

Ch. Umer Nazir Gujjar



Farmer Detail

Name	Ch. Umer Nazir Gujjar
Address	Bijli Ghar stop, Jaranwala road Faisalabad
Contact No	0300-7678876
CNIC	33100-5091558-9

Buffaloes Detail

Adults	Heifers	Calves	Bull	Total
35	18	18	1	72

Star Marked And changed colour is current practice of farmer from below Table

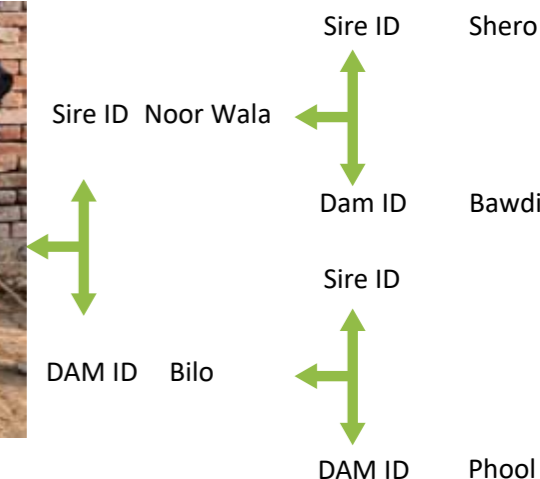
Feeding system

NFS	Necessary feeding system	Total mixed ration @3% Body weight
HIFS	High input feeding system	Forage ad lib+ Silage/Hay+Concentrate+free water access
* MIFS	Medium input feeding system	Forage ad lib+ occasional Concentrate+free water access
LIFS	Low input feeding system	Forage ad lib+ water access on offering
PIFS	Poor input feeding system	Grazing from communal land+ Water access on offering

Housing System

Excellent	Loose stall, Proper feeding manger+Free access to pound+excellent Ventilation+Bedding in resting area
Good	Loose stall, proper feeding manger+Once a day access to pound+resting area+excellent ventilation
* Above average	Loose stall, proper feeding manger+resting area+good ventilation
Average	Tie stall+proper feeding manger+Resting area+good ventilation
Poor	Tie stall+poor ventilation+ No resting area

International ID	Project ID	Buffalo Name	Breed	Date Of Birth
PKB-FSD-005-018-221	Tag#221	Phool	Nili Ravi	10/12/2012

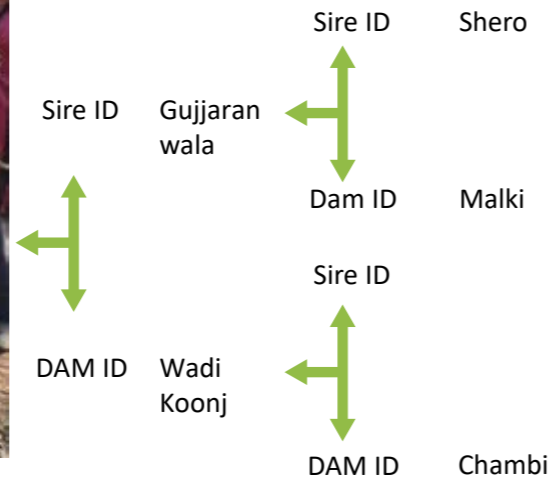


Recording no	Recording Date DD-MM-YYYY	Milk yield (Kg)			Fat%	Total Solids	Environmental Temp (celcius)	Forage Type
		Morning	Evening	Total				
1	5-Mar-18	6.43	9.43	15.86	6.2	15.034	32	Berseem
2	5-Apr-18	7.89	9.345	17.235	6.2	15.034	39	Berseem
3	5-May-18	7.2	8.6	15.8	6.4	15.278	42	Maize
4	5-Jun-18	8.2	9.15	17.35	6.3	15.156	42	Sorghum
5	5-Jul-18	7.3	8.15	15.45	6.4	15.522	43	Sorghum
6	5-Aug-18	4.1	4.6	8.7	6.5	15.522	39	Sorghum
7	5-Sep-18	3.9	5.67	9.57	6.8	15.644	41	Sorghum
8	5-Oct-18	3.42	4.1	7.528	6.9	15.888	36	Maize
9	5-Nov-18	3	2.78	5.78	6.9	15.888	35	Maize

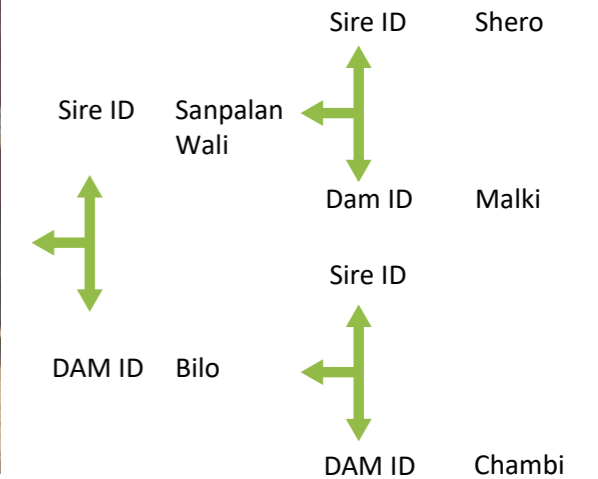
Performance History & Progeny Record

Performance History					Progeny Record		
Lactation no	Date of Calving MM-DD-YYYY	Date of Dry MM-DD-YYYY	Lactation Length	Milk yield (Lit.)	Calf ID	Sire ID	Sex
1	2-19-15	NA	NA	NA	Rajo	SapnaIn	Female
2	3-19-16	NA	NA	NA	NA	Heer	Male
3	1-12-18				NA	NA	Male

International ID	Project ID	Buffalo Name	Breed	Date Of Birth
PKB-FSD-005-018-222	Tag#222	Koonj	Nili Ravi	N/A



International ID	Project ID	Buffalo Name	Breed	Date Of Birth
PKB-FSD-005-018-223	Tag#223	Lambo	Nili Ravi	N/A



Current lactation performance		Current Lactation No			2nd			
Recording no	Recording Date DD-MM-YYYY	Milk yield (Kg)			Fat%	Total Solids	Environmental Temp (celcius)	Forage Type
		Morning	Evening	Total				
1	5-Mar-18	4.1	3.2	9.3	6.2	15.034	32	Berseem
2	5-Apr-18	9.765	8.67	18.435	6.2	15.034	39	Berseem
3	5-May-18	8.9	8.9	17.8	6.4	15.278	42	Maize
4	5-Jun-18	7.9	8.45	16.35	6.3	15.156	42	Sorghum
5	5-Jul-18	7.89	7.9	15.79	6.4	15.522	43	Sorghum
6	5-Aug-18	6.45	7.7	14.15	6.5	15.522	39	Sorghum
7	5-Sep-18	4.2	5.4	9.6	6.8	15644	41	Sorghum
8	5-Oct-18	4.13	2.6	6.73	6.9	15.888	36	Maize
9	5-Nov-18	3.5	2.2	5.7	6.9	15.888	35	Maize

Current lactation performance		Current Lactation No			1st			
Recording no	Recording Date DD-MM-YYYY	Milk yield (Kg)			Fat%	Total Solids	Environmental Temp (celcius)	Forage Type
		Morning	Evening	Total				
1	5-Mar-18	6.43	7.5	13.93	6.2	15.034	32	Berseem
2	5-Apr-18	7.756	9.2	16.956	6.2	15.034	39	Berseem
3	5-May-18	6.9	8.9	15.8	6.4	15.278	42	Maize
4	5-Jun-18	8.2	8.45	16.65	6.3	15.156	42	Sorghum
5	5-Jul-18	7.3	7.9	15.2	6.4	15.522	43	Sorghum
6	5-Aug-18	4.1	7.4	11.5	6.5	15.522	39	Sorghum
7	5-Sep-18	4.05	5.4	9.45	6.8	15644	41	Sorghum
8	5-Oct-18	3.428	2.6	6.028	6.9	15.888	36	Maize
9	5-Nov-18	3	2.2	5.2	6.9	15.888	35	Maize

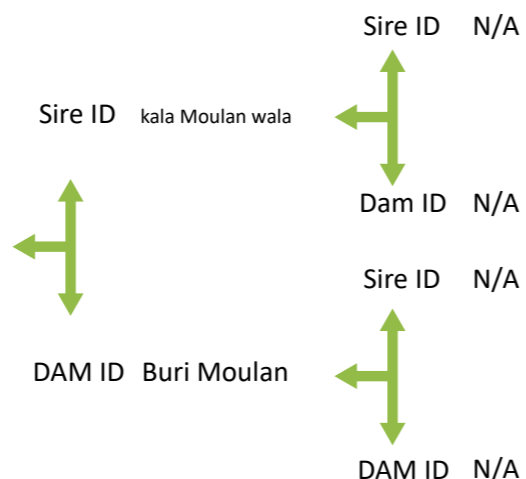
Performance History & Progeny Record

Performance History					Progeny Record		
Lactation no	Date of Calving MM-DD-YYYY	Date of Dry MM-DD-YYYY	Lactation Length	Milk yield (Lit.)	Calf ID	Sire ID	Sex
1	NA	NA	NA	NA	NA	NA	NA
2	2-12-18	NA	NA	NA	NA	NA	Male
3					NA	NA	NA

Performance History & Progeny Record

Performance History					Progeny Record		
Lactation no	Date of Calving MM-DD-YYYY	Date of Dry MM-DD-YYYY	Lactation Length	Milk yield (Lit.)	Calf ID	Sire ID	Sex
1	12-29-18	NA	NA	NA	NA	Billa	Female
2	NA				NA	NA	NA
3							

International ID	Project ID	Buffalo Name	Breed	Date Of Birth
PKB-FSD-005-018-224	Tag#224	Red Queen	Nili Ravi	N/A



Current lactation performance		Current Lactation No			5th	Fat%	Total Solids	Environmental Temp (celcius)	Forage Type
Recording no	Recording Date DD-MM-YYYY	Milk yield (Kg)							
		Morning	Evening	Total					
1	5-Mar-18	8.01	6.2	14.21	6.2	15.034	32	Berseem	
2	5-Apr-18	8.9	7.4	16.3	6.2	15.034	39	Berseem	
3	5-May-18	8.4	7.25	15.65	6.4	15.278	42	Maize	
4	5-Jun-18	8.3	8.8	17.1	6.3	15.156	42	Sorghum	
5	5-Jul-18	7.3	8.7	16	6.4	15.522	43	Sorghum	
6	5-Aug-18	5.35	5.4	10.75	6.5	15.522	39	Sorghum	
7	5-Sep-18	5.3	5.25	10.55	6.8	15.644	41	Sorghum	
8	5-Oct-18	3.1	5	8.1	6.9	15.888	36	Maize	
9	5-Nov-18	3	4.5	7.5	6.9	15.888	35	Maize	

Performance History & Progeny Record

Performance History					Progeny Record		
Lactation no	Date of Calving MM-DD-YYYY	Date of Dry MM-DD-YYYY	Lactation Length	Milk yield (Lit.)	Calf ID	Sire ID	Sex
1	NA	NA	NA	NA	NA	Rafiq	Female
2	1-21-18	NA	NA	NA	NA	QB-645	Male
3	NA				NA	QB-645	Male

TW-019

Ch. Javed Iqbal Khan



Farmer Detail

Name	Ch. Javed Iqbal Khan
Address	Chack 596 GB,Tandlianwala
Contact No	0332-7860213
CNIC	33100-7128382-7

Buffaloes Detail

Adults	Heifers	Calves	Bull	Total
45	15	21	1	83

Star Marked And changed colour is current practice of farmer from below Table

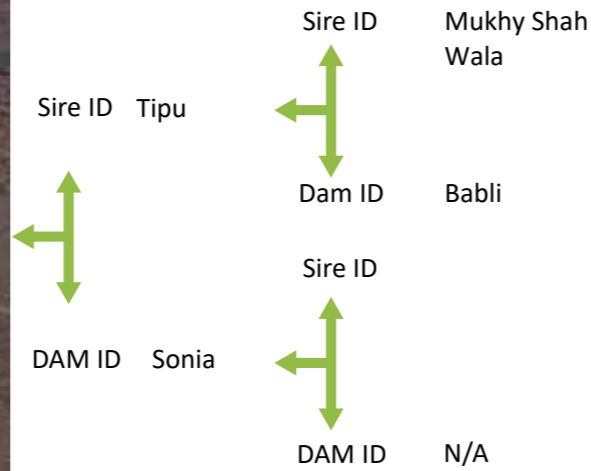
Feeding system

NFS	Necessary feeding system	Total mixed ration @3% Body wieght
* HIFS	High input feeding system	Forage ad lib+ Silage/Hay+Concentrate+free water access
MIFS	Medium input feeding system	Forage ad lib+ occasional Concentrate+free water access
LIFS	Low input feeding system	Forage ad lib+ water access on offering
PIFS	Poor input feeding system	Grazing from communal land+ Water access on offering

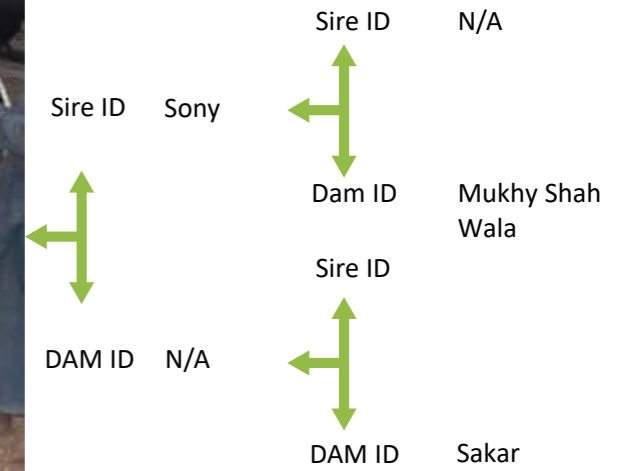
Housing System

Excellent	Loose stall,Proper feeding manger+Free access to pound+excellent Ventilation+Bedding in resting area
* Good	Loose stall, proper feeding manger+Once a day access to pound+resting area+excellent ventilation
Above average	Loose stall, proper feeding manger+resting area+good ventilation
Average	Tie stall+proper feeding manger+Resting area+good ventilation
Poor	Tie stall+poor ventilation+ No resting area

International ID	Project ID	Buffalo Name	Breed	Date Of Birth
PKB-TW-005-019-220	Tag#220	Bulbul	Nili Ravi	N/A



International ID	Project ID	Buffalo Name	Breed	Date Of Birth
PKB-TW-005-019-227	Tag#227	Lakshavi	Nili Ravi	N/A



Current lactation performance		Current Lactation No			2nd	Fat%	Total Solids	Environmental Temp (celcius)	Forage Type
Recording no	Recording Date DD-MM-YYYY	Milk yield (Kg)							
		Morning	Evening	Total					
1	21-Mar-18	7.4	6.5	13.9	5.7	14.424	32	Berssem	
2	21-Apr-18	8	7.54	15.54	6	14.79	39	Berssem	
3	21-May-18	7.1	8.2	15.3	6.1	14.912	42	Berssem	
4	21-Jun-18	7	6.1	13.1	6.2	15.034	45	Sorghum	
5	21-Jul-18	6.2	5.7	11.9	6.2	15.034	44	Sorghum	
6	21-Aug-18	4.5	5.75	10.25	6.1	14.912	39	Sorghum	
7	21-Sep-18	4	4.7	8.7	6.3	15.156	41	Maize	
8	21-Oct-18	3.1	3.22	6.32	6.3	15.156	36	Maize	
9	21-Nov-18	3.2	2.56	5.76	6.4	15.278	35	Maize	

Current lactation performance		Current Lactation No			2nd	Fat%	Total Solids	Environmental Temp (celcius)	Forage Type
Recording no	Recording Date DD-MM-YYYY	Milk yield (Kg)							
		Morning	Evening	Total					
1	21-Mar-18	7.2	6.87	14.07	6.2	14.546	36	Berssem	
2	21-Apr-18	7.5	6.56	14.06	6.4	14.668	40	Berssem	
3	21-May-18	7.1	6.4	13.5	6.5	14.668	42	Berssem	
4	21-Jun-18	6.74	5.387	12.127	6.5	14.668	44	Sorghum	
5	21-Jul-18	4.32	4.87	9.19	6.6	14.79	44	Sorghum	
6	21-Aug-18	4.2	4.1	8.3	6.8	14.912	40	Sorghum	
7	21-Sep-18	3.858	4	7.858	6.7	15.034	41	Maize	
8	21-Oct-18	3.336	3.76	7.096	6.8	15.516	36	Maize	
9	21-Nov-18	2.91	3.7	6.61	6.9	15.638	34	Maize	

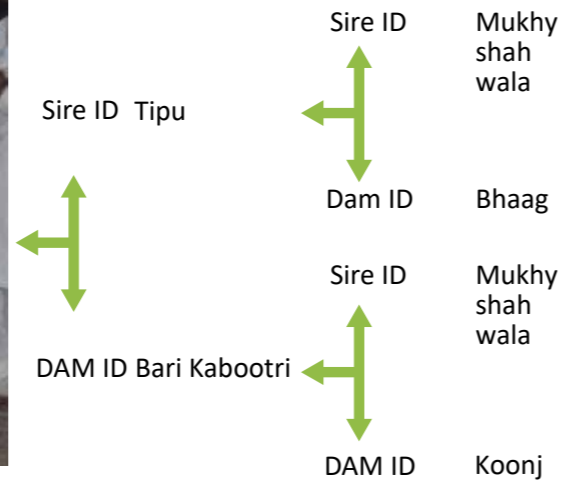
Performance History & Progeny Record

Performance History					Progeny Record		
Lactation no	Date of Calving MM-DD-YYYY	Date of Dry MM-DD-YYYY	Lactation Length	Milk yield (Lit.)	Calf ID	Sire ID	Sex
1	1-Sep-15	12-Sep-16	377	2123		Ahmad Hassan wala	Female
2	23-Oct-16	17-Sep-17	329	2543		QB-560	Female
3	2-Jan-18					Ravi	Male

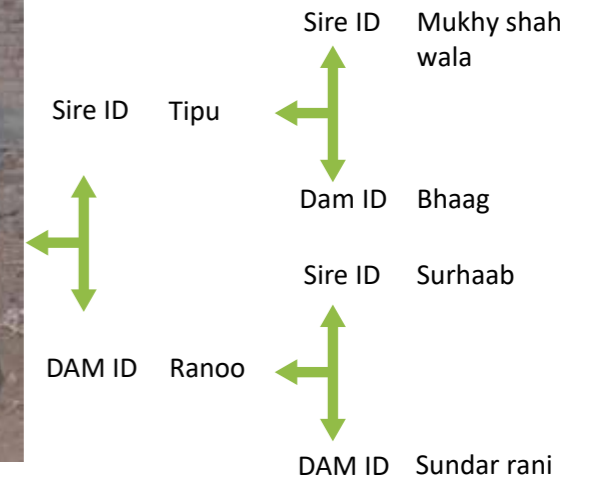
Performance History & Progeny Record

Performance History					Progeny Record		
Lactation no	Date of Calving MM-DD-YYYY	Date of Dry MM-DD-YYYY	Lactation Length	Milk yield (Lit.)	Calf ID	Sire ID	Sex
1	10-1-15	9-1-16	328	1932	B-17	Musa	Female
2	11-12-16	10-2-17	324	2319	B-23	Musa	Male
3	1-8-18					QB-737	Male

International ID	Project ID	Buffalo Name	Breed	Date Of Birth
PKB-TW-005-019-228	Tag#228	Choti Kabootri	Nili Ravi	N/A



International ID	Project ID	Buffalo Name	Breed	Date Of Birth
PKB-TW-005-019-229	Tag#229	Nawab	Nili Ravi	N/A



Current lactation performance		Current Lactation No			1st			
Recording no	Recording Date DD-MM-YYYY	Milk yield (Kg)			Fat%	Total Solids	Environmental Temp (celcius)	Forage Type
		Morning	Evening	Total				
1	21-Mar-18	5.9	6.3	12.2	6.2	14.546	36	Berseem
2	21-Apr-18	7.2	7.9	15.1	6.4	14.668	40	Berseem
3	21-May-18	7	7.4	14.4	6.5	14.668	42	Silage
4	21-Jun-18	6.2	7.5	13.7	6.5	14.668	44	Silage
5	21-Jul-18	5.8	6.45	12.25	6.6	14.79	44	Rhode Grass
6	21-Aug-18	5.05	4.05	9.1	6.8	14.912	40	Rhode Grass
7	21-Sep-18	3.3	5.85	9.15	6.7	15.034	41	Rhode Grass
8	21-Oct-18	2	4.27	6.27	6.8	15.516	36	Silage
9	21-Nov-18	0	4	4	6.9	15.638	34	Silage

Current lactation performance		Current Lactation No			2nd			
Recording no	Recording Date DD-MM-YYYY	Milk yield (Kg)			Fat%	Total Solids	Environmental Temp (celcius)	Forage Type
		Morning	Evening	Total				
1	21-Mar-18	7.9	7.8	15.7	5.7	14.424	32	Berseem
2	21-Apr-18	7.05	8.35	15.4	6	14.79	39	Berseem
3	21-May-18	5.9	5.5	11.4	6.1	14.912	42	Silage
4	21-Jun-18	5.2	5.02	10.22	6.2	15.034	45	Silage
5	21-Jul-18	4.8	4.9	9.7	6.2	15.034	44	Rhode Grass
6	21-Aug-18	4	3.7	7.7	6.1	14.912	39	Rhode Grass
7	21-Sep-18	3.7	3.4	7.1	6.3	15.156	41	Rhode Grass
8	21-Oct-18	4	3.75	7.75	6.3	15.156	36	Silage
9	21-Nov-18	2	3	5	6.4	15.278	35	Silage

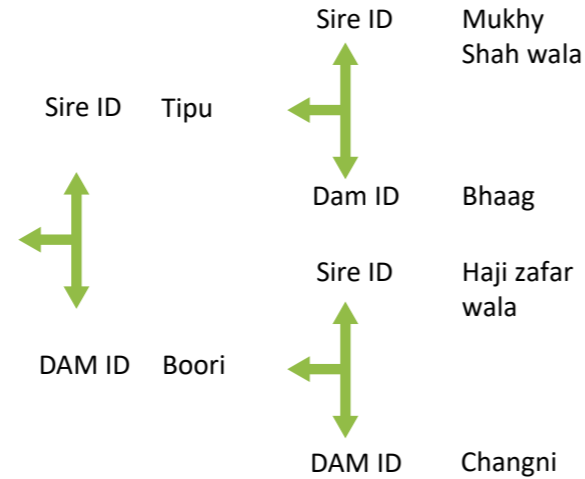
Performance History & Progeny Record

Performance History					Progeny Record		
Lactation no	Date of Calving MM-DD-YYYY	Date of Dry MM-DD-YYYY	Lactation Length	Milk yield (Lit.)	Calf ID	Sire ID	Sex
1	02-16-18					Hussne ravi	Female
2						NA	
3							

Performance History & Progeny Record

Performance History					Progeny Record		
Lactation no	Date of Calving MM-DD-YYYY	Date of Dry MM-DD-YYYY	Lactation Length	Milk yield (Lit.)	Calf ID	Sire ID	Sex
1	9-Oct-16	12-Dec-17	429	28-Apr-07		Gulab wala	Female
2	12-Feb-18					Ghusne ravi	Male
3							

International ID	Project ID	Buffalo Name	Breed	Date Of Birth
PKB-TW-005-019-134	Tag#134	Malngni	Nili Ravi	



Recording no	Recording Date DD-MM-YYYY	Current lactation performance			Fat%	Total Solids	Environmental Temp (celcius)	Forage Type
		Milk yield (Kg)						
		Morning	Evening	Total				
1	21-Mar-18	7.8	7.3	15.1	5.7	14.424	32	Berseem
2	21-Apr-18	7.2	8.34	15.54	6	14.79	39	Berseem
3	21-May-18	7.2	6.854	14.054	6.1	14.912	42	Silage
4	21-Jun-18	5.4	6.57	11.97	6.2	15.034	45	Silage
5	21-Jul-18	5.1	6.23	11.33	6.2	15.034	44	Rhode Grass
6	21-Aug-18	4.8	4.9	9.7	6.1	14.912	39	Rhode Grass
7	21-Sep-18	4.2	4.9	9.1	6.3	15.156	41	Rhode Grass
8	21-Oct-18	3.4	4.85	8.25	6.3	15.156	36	Silage
9	21-Nov-18	2.4	3.2	5.6	6.4	15.278	35	Silage

Performance History & Progeny Record

Performance History					Progeny Record		
Lactation no	Date of Calving MM-DD-YYYY	Date of Dry MM-DD-YYYY	Lactation Length	Milk yield (Lit.)	Calf ID	Sire ID	Sex
1	N/A	N/A	N/A	N/A	N/A	N/A	Male
2	N/A	N/A	N/A	N/A	N/A	Gulab Wala	Male
3	1-12-18					Hussan ravi	Female

KS-020

Sardar Mahmood Sarwar



Farmer Detail

Name	Sardar Mahmood Sarwar
Address	Noor pur, Tehsil Chunian District Kasur
Contact No	0321-9896000
CNIC	35101-2489042-9

Buffaloes Detail

Adults	Heifers	Calves	Bull	Total
18	12	16	1	47

Star Marked And changed colour is current practice of farmer from below Table

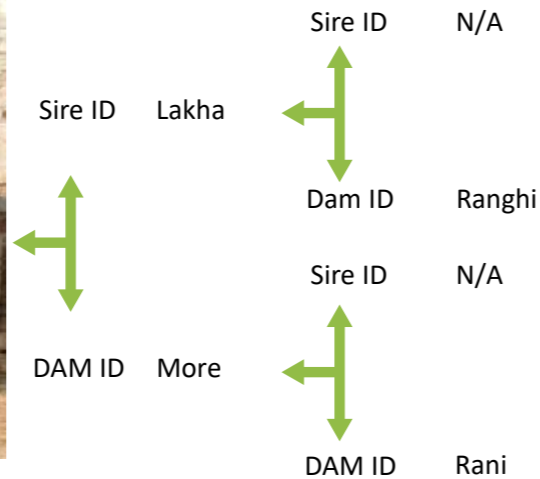
Feeding system

NFS	Necessary feeding system	Total mixed ration @3% Body wieght
HIFS	High input feeding system	Forage ad lib+ Silage/Hay+Concentrate+free water access
* MIFS	Medium input feeding system	Forage ad lib+ occasional Concentrate+free water access
LIFS	Low input feeding system	Forage ad lib+ water access on offering
PIFS	Poor input feeding system	Grazing from communal land+ Water access on offering

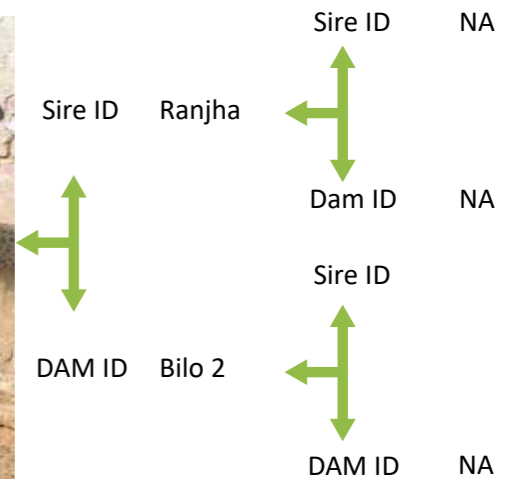
Housing System

Excellent	Loose stall, Proper feeding manger+Free access to pound+excellent Ventilation+Bedding in resting area
Good	Loose stall, proper feeding manger+Once a day access to pound+resting area+excellent ventilation
* Above average	Loose stall, proper feeding manger+resting area+good ventilation
Average	Tie stall+proper feeding manger+Resting area+good ventilation
Poor	Tie stall+poor ventilation+ No resting area

International ID	Project ID	Buffalo Name	Breed	Date Of Birth
PKB-KS-002-020-060	Tag#60	Rani 2	Nili Ravi	N/A



International ID	Project ID	Buffalo Name	Breed	Date Of Birth
PKB-KS-002-020-061	Tag#61	Malka	Nili Ravi	2/12/2012



Current lactation performance		Current Lactation No			3rd			
Recording no	Recording Date DD-MM-YYYY	Milk yield (Kg)			Fat%	Total Solids	Environmental Temp (celcius)	Forage Type
		Morning	Evening	Total				
1	19-Mar-18	7.9	7.3	15.2	6.2	15.034	32	Berseem
2	19-Apr-18	7.05	8.34	15.39	6.3	15.156	40	Berseem
3	19-May-18	5.9	6.854	12.754	6.3	15.156	42	Silage
4	19-Jun-18	5.2	6.57	11.77	6.4	15.278	45	Silage
5	19-Jul-18	4.8	6.23	11.03	6.4	15.278	44	Silage
6	19-Aug-18	4	4.9	8.9	6.4	15.278	38	Millet
7	19-Sep-18	3.7	4.9	8.6	6.7	15.644	41	Millet
8	19-Oct-18	4	4.85	8.85	6.7	15.644	36	Maize
9	19-Nov-18	2	3.2	5.2	6.9	15.888	35	Maize

Current lactation performance		Current Lactation No			2nd			
Recording no	Recording Date DD-MM-YYYY	Milk yield (Kg)			Fat%	Total Solids	Environmental Temp (celcius)	Forage Type
		Morning	Evening	Total				
1	19-Mar-18	6.6	7.8	15.2	6.1	15.034	32	Berseem
2	19-Apr-18	7.2	8.35	15.55	6.2	15.034	40	Berseem
3	19-May-18	6.92	5.5	12.42	6.2	15.156	42	Silage
4	19-Jun-18	6.71	5.02	11.73	6.2	15.278	45	Silage
5	19-Jul-18	6.5	4.9	11.4	6.2	15.522	44	Silage
6	19-Aug-18	5.45	3.7	9.15	6.3	15.522	39	Millet
7	19-Sep-18	4.35	3.4	7.75	6.4	15.644	41	Millet
8	19-Oct-18	4	3.75	7.75	6.5	15.766	36	Maiz
9	19-Nov-18	3.5	3	6.5	6.8	15.766	35	Maize

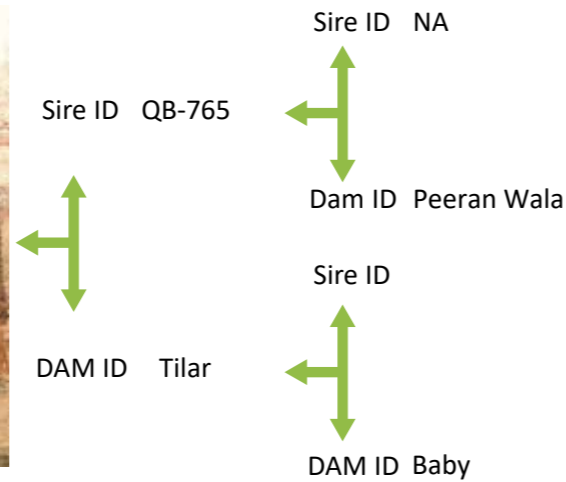
Performance History & Progeny Record

Performance History					Progeny Record		
Lactation no	Date of Calving MM-DD-YYYY	Date of Dry MM-DD-YYYY	Lactation Length	Milk yield (Lit.)	Calf ID	Sire ID	Sex
1	9-Oct-15	1-Sep-16	328	1987	B-12	Ranjha 2	Female
2	12-Nov-16	2-Oct-17	324	2310	B-22	Ranjha 2	Female
3	8-Jan-18				B-32	QB-764	Female

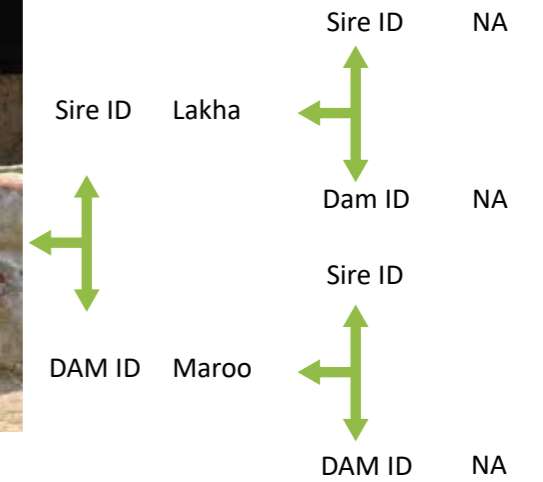
Performance History & Progeny Record

Performance History					Progeny Record		
Lactation no	Date of Calving MM-DD-YYYY	Date of Dry MM-DD-YYYY	Lactation Length	Milk yield (Lit.)	Calf ID	Sire ID	Sex
1	7-16-15	NA	NA	13	B-14	Ranjha	Male
2	8-21-16	NA	NA	15	B-85	Ranjha	Male
3	1-18-18				B-119	Ranjha2	Mle

International ID	Project ID	Buffalo Name	Breed	Date Of Birth
PKB-KS-002-020-062	Tag#62	Nagina	Nili	2/12/2012



International ID	Project ID	Buffalo Name	Breed	Date Of Birth
PKB-KS-002-020-264	Tag#264	Kabootri	Nili Ravi	N/A



Current lactation performance		Current Lactation No			6th			
Recording no	Recording Date DD-MM-YYYY	Milk yield (Kg)			Fat%	Total Solids	Environmental Temp (celcius)	Forage Type
		Morning	Evening	Total				
1	19-Mar-18	8.9	9.2	18.1	6.1	15.034	32	Berseem
2	19-Apr-18	9.07	8.7	17.77	6.2	15.034	40	Berseem
3	19-May-18	8.97	8.1	17.07	6.2	15.156	42	Sliage
4	19-Jun-18	7.9	8	15.9	6.2	15.278	45	Sliage
5	19-Jul-18	7.05	7.23	14.28	6.2	15.522	44	Sliage
6	19-Aug-18	5.09	5.33	11.23	6.3	15.522	39	Millet
7	19-Sep-18	3.7	4.9	8.6	6.4	15644	41	Millet
8	19-Oct-18	3.76	4	7.76	6.5	15.766	36	Maiz
9	19-Nov-18	3.98	3.5	7.48	6.8	15.766	35	Maize

Current lactation performance		Current Lactation No			2nd			
Recording no	Recording Date DD-MM-YYYY	Milk yield (Kg)			Fat%	Total Solids	Environmental Temp (celcius)	Forage Type
		Morning	Evening	Total				
1	19-Mar-18	7.5	7.134	14.634	6.1	15.034	32	Berseem
2	19-Apr-18	7.1	6.954	14.054	6.2	15.034	40	Berseem
3	19-May-18	6.3	6.12	12.42	6.2	15.156	42	Sliage
4	19-Jun-18	6.32	6.01	12.33	6.2	15.278	45	Sliage
5	19-Jul-18	5.5	5.543	11.043	6.2	15.522	44	Sliage
6	19-Aug-18	5.1	4.932	10.032	6.3	15.522	39	Millet
7	19-Sep-18	4.935	4.124	9.059	6.4	15644	41	Millet
8	19-Oct-18	3.851	3.123	6.974	6.5	15.766	36	Maiz
9	19-Nov-18	2.942	2.1	5.042	6.8	15.766	35	Maize

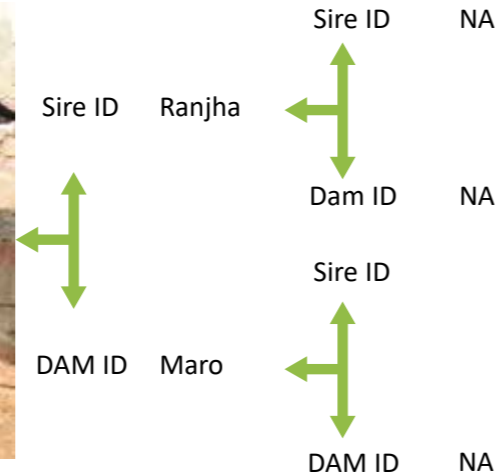
Performance History & Progeny Record

Performance History					Progeny Record		
Lactation no	Date of Calving MM-DD-YYYY	Date of Dry MM-DD-YYYY	Lactation Length	Milk yield (Lit.)	Calf ID	Sire ID	Sex
1	19-Jul-15	NA	NA	13	B-14	Ranjha	Male
2	2-Nov-16	NA	NA	15	B-85	Lakha	Female
3	21-Feb-18				B-119	Ranjha2	Male

Performance History & Progeny Record

Performance History					Progeny Record		
Lactation no	Date of Calving MM-DD-YYYY	Date of Dry MM-DD-YYYY	Lactation Length	Milk yield (Lit.)	Calf ID	Sire ID	Sex
1	9-2-16	8-22-17	364	11	B-82	Ranjha	Female
2	12-30-17	NA	NA	15	B-128	Ranjha2	Female
3	NA				NA		NA

International ID	Project ID	Buffalo Name	Breed	Date Of Birth
PKB-KS-002-020-265	Tag#265	Bilo	Nili Ravi	7/23/2008



Current lactation performance		Current Lactation No			4th	Fat%	Total Solids	Environmental Temp (celcius)	Forage Type
Recording no	Recording Date DD-MM-YYYY	Milk yield (Kg)							
		Morning	Evening	Total					
1	19-Mar-18	7.3	9.2	16.5	6.1	15.034	32	Berseem	
2	19-Apr-18	8.34	8.7	17.04	6.2	15.034	40	Berseem	
3	19-May-18	6.854	8.1	14.954	6.2	15.156	42	Silage	
4	19-Jun-18	6.57	8	14.57	6.2	15.278	45	Silage	
5	19-Jul-18	6.23	7.23	13.46	6.2	15.522	44	Silage	
6	19-Aug-18	4.9	4.05	8.95	6.3	15.522	39	Millet	
7	19-Sep-18	4.9	5.85	10.75	6.4	15.644	41	Millet	
8	19-Oct-18	4.85	4.27	9.12	6.5	15.766	36	Maiz	
9	19-Nov-18	3.2	4	7.2	6.8	15.766	35	Maize	

Performance History & Progeny Record

Performance History					Progeny Record		
Lactation no	Date of Calving MM-DD-YYYY	Date of Dry MM-DD-YYYY	Lactation Length	Milk yield (Lit.)	Calf ID	Sire ID	Sex
1	6-2-15	8-22-17	364	11	B-17	Lado	Female
2	8-12-16	NA	NA	15	B-89	QB-935	Female
3	12-29-17				B-119		Female

KS-021

Sardar Manawar Hayat



Farmer Detail

Name	Sardar Manawar Hayat
Address	NoorPur, Tehsil Chunian District Kasur
Contact No	0321-4731409
CNIC	35101-5307353-3

Buffaloes Detail

Adults	Heifers	Calves	Bull	Total
19	12	14	1	46

Star Marked And changed colour is current practice of farmer from below Table

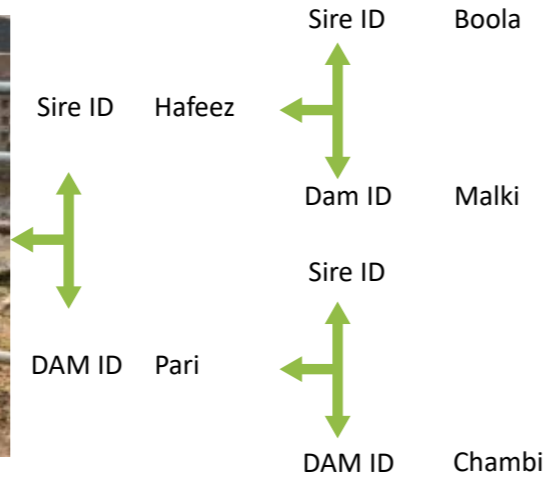
Feeding system

NFS	Necessary feeding system	Total mixed ration @3% Body wieght
HIFS	High input feeding system	Forage ad lib+ Silage/Hay+Concentrate+free water access
* MIFS	Medium input feeding system	Forage ad lib+ occasional Concentrate+free water access
LIFS	Low input feeding system	Forage ad lib+ water access on offering
PIFS	Poor input feeding system	Grazing from communal land+ Water access on offering

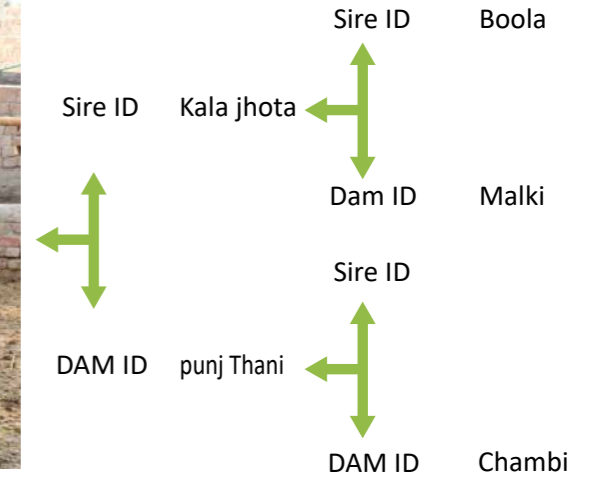
Housing System

Excellent	Loose stall, Proper feeding manger+Free access to pound+excellent Ventilation+Bedding in resting area
Good	Loose stall, proper feeding manger+Once a day access to pound+resting area+excellent ventilation
* Above average	Loose stall, proper feeding manger+resting area+good ventilation
Average	Tie stall+proper feeding manger+Resting area+good ventilation
Poor	Tie stall+poor ventilation+ No resting area

International ID	Project ID	Buffalo Name	Breed	Date Of Birth
PKB-KS-002-021-063	Tag#63	Landi	Nili Ravi	3/30/2009



International ID	Project ID	Buffalo Name	Breed	Date Of Birth
PKB-KS-002-021-064	Tag#64	Niki Landi	Nili Ravi	4/23/2012



Current lactation performance		Current Lactation No			4th			
Recording no	Recording Date DD-MM-YYYY	Milk yield (Kg)			Fat%	Total Solids	Environmental Temp (celcius)	Forage Type
		Morning	Evening	Total				
1	19-Mar-18	7.3	6.6	13.9	6.1	14.912	32	Berseem
2	19-Apr-18	7.582	7.2	14.782	6.1	14.912	40	Berseem
3	19-May-18	7.7	8.8	16.5	6.3	15.156	42	Sliage
4	19-Jun-18	7.1	7.3	14.4	6.4	15.278	45	Sliage
5	19-Jul-18	6.2	7.5	13.7	6.5	15.522	44	Sliage
6	19-Aug-18	5.5	5.45	10.95	6.4	15.522	39	Sorghum
7	19-Sep-18	3.4	4.35	7.75	6.7	15.644	41	Sorghum
8	19-Oct-18	3.75	4	7.75	6.7	15.644	36	Maize
9	19-Nov-18	3	3.5	6.5	6.9	15.888	35	Maize

Current lactation performance		Current Lactation No			2nd			
Recording no	Recording Date DD-MM-YYYY	Milk yield (Kg)			Fat%	Total Solids	Environmental Temp (celcius)	Forage Type
		Morning	Evening	Total				
1	19-Mar-18	7.3	6.6	13.9	6.1	14.912	32	Berseem
2	19-Apr-18	7.582	7.2	14.782	6.1	14.912	40	Berseem
3	19-May-18	7.7	8.8	16.5	6.3	15.156	42	Sliage
4	19-Jun-18	7.8	7.4	15.2	6.4	15.278	45	Sliage
5	19-Jul-18	4.1	7.23	13.33	6.5	15.522	44	Sliage
6	19-Aug-18	4.9	4.05	8.14	6.4	15.522	39	Sorghum
7	19-Sep-18	3.5	8.85	7.75	6.7	15.644	41	Sorghum
8	19-Oct-18	3	4.27	3.27	6.7	15.644	36	Maize
9	19-Nov-18	3	4	4	6.9	15.888	35	Maize

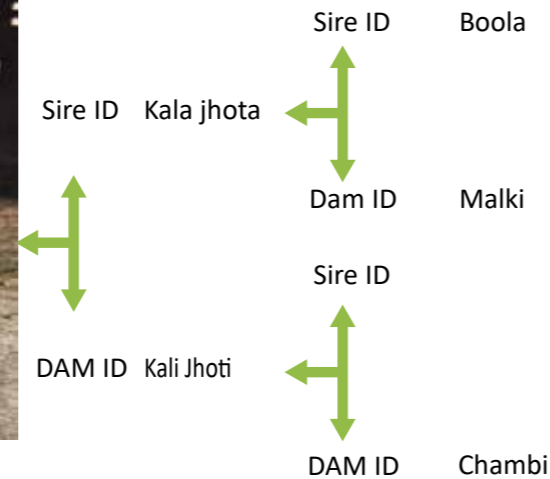
Performance History & Progeny Record

Performance History					Progeny Record		
Lactation no	Date of Calving MM-DD-YYYY	Date of Dry MM-DD-YYYY	Lactation Length	Milk yield (Lit.)	Calf ID	Sire ID	Sex
1	NA	NA	NA	NA	NA	NA	NA
2	11-12-16	NA	NA	16	Lado	Lado	Female
3	1-12-18				B-13	Lado	Male

Performance History & Progeny Record

Performance History					Progeny Record		
Lactation no	Date of Calving MM-DD-YYYY	Date of Dry MM-DD-YYYY	Lactation Length	Milk yield (Lit.)	Calf ID	Sire ID	Sex
1	9-9-16	NA	NA	NA	chanan	Lado	Female
2	1-2-18	NA	NA	16	ANMOOL	Bila	Female
3	NA				NA	NA	NA

International ID	Project ID	Buffalo Name	Breed	Date Of Birth
PKB-KS-002-021-065	Tag#65	Phool	Nili Ravi	N/A



Recording no	Recording Date DD-MM-YYYY	Current lactation performance			Current Lactation No		Environmental Temp (celcius)	Forage Type
		Milk yield (Kg)			Fat%	Total Solids		
		Morning	Evening	Total				
1	19-Mar-18	6.9	6.9	13.8	6.1	14.912	32	Berseem
2	19-Apr-18	7.2	7.5	14.7	6.1	14.912	40	Berseem
3	19-May-18	6.8	6.9	13.7	6.3	15.156	42	Silage
4	19-Jun-18	6.7	5.9	12.6	6.4	15.278	45	Silage
5	19-Jul-18	6.2	5.5	11.7	6.5	15.522	44	Silage
6	19-Aug-18	5.35	5.45	10.8	6.4	15.522	39	Sorghum
7	19-Sep-18	5.3	4.35	9.65	6.7	15.644	41	Sorghum
8	19-Oct-18	3	4.1	7.1	6.7	15.644	36	Maize
9	19-Nov-18	3	4	4	6.9	15.888	35	Maize

Performance History & Progeny Record

Performance History					Progeny Record		
Lactation no	Date of Calving MM-DD-YYYY	Date of Dry MM-DD-YYYY	Lactation Length	Milk yield (Lit.)	Calf ID	Sire ID	Sex
1	1-14-17	NA	NA	12	Makhni	Bila	Female
2	2-3-18	NA	NA	14	Bunti	Ladu	Female
3	NA				NA	NA	NA

KS-22

Rana Tanvir arshad



Farmer Detail

Name	Rana Tanvir arshad
Address	Sindhupura, Tehsil Kot Radha Kishin District Kasur
Contact No	0300-6592575
CNIC	35102-9868177-1

Buffaloes Detail

Adults	Heifers	Calves	Bull	Total
15	6	12	1	34

Star Marked And changed colour is current practice of farmer from below Table

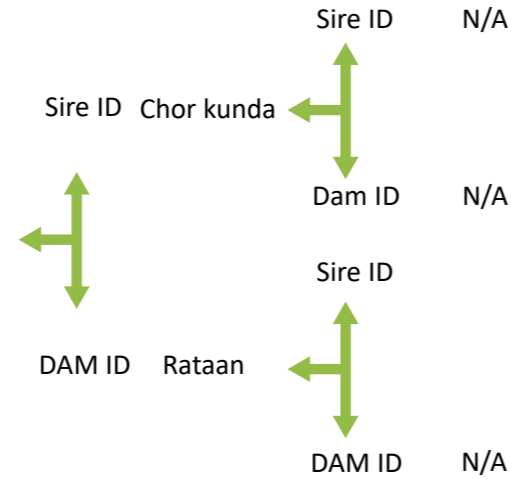
Feeding system

NFS	Necessary feeding system	Total mixed ration @3% Body wieght
* HIFS	High input feeding system	Forage ad lib+ Silage/Hay+Concentrate+free water access
MIFS	Medium input feeding system	Forage ad lib+ occasional Concentrate+free water access
LIFS	Low input feeding system	Forage ad lib+ water access on offering
PIFS	Poor input feeding system	Grazing from communal land+ Water access on offering

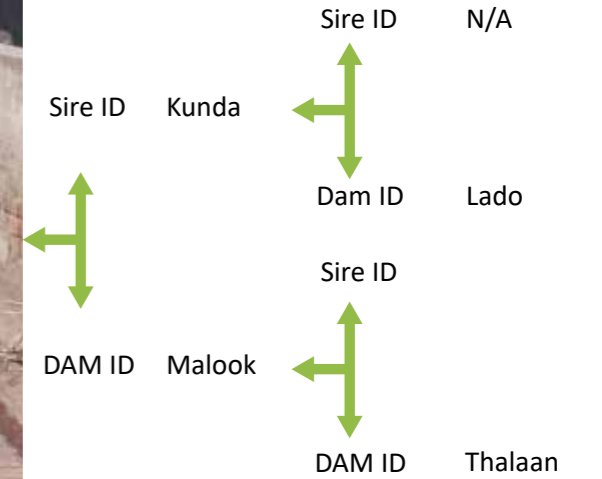
Housing System

Excellent	Loose stall, Proper feeding manger+Free access to pound+excellent Ventilation+Bedding in resting area
* Good	Loose stall, proper feeding manger+Once a day access to pound+resting area+excellent ventilation
Above average	Loose stall, proper feeding manger+resting area+good ventilation
Average	Tie stall+proper feeding manger+Resting area+good ventilation
Poor	Tie stall+poor ventilation+ No resting area

International ID	Project ID	Buffalo Name	Breed	Date Of Birth
PKB-KS-002-022-267	Tag#267	Rataan	Nili	11/19/2013



International ID	Project ID	Buffalo Name	Breed	Date Of Birth
PKB-KS-002-022-268	Tag#268	Piari	Nili Ravi	5/5/2008



Current lactation performance		Current Lactation No			1st			
Recording no	Recording Date DD-MM-YYYY	Milk yield (Kg)			Fat%	Total Solids	Environmental Temp (celcius)	Forage Type
		Morning	Evening	Total				
1	30-Mar-18	7.24	7.2	14.44	6.2	14.79	32	Berseem
2	30-Apr-18	7.05	6	13.05	6.2	14.79	36	Berseem
3	30-May-18	5.9	6.329	12.229	6.3	14.912	41	Berseem
4	30-Jun-18	5.2	5.9	11.1	6.3	15.16	45	Sorghum
5	30-Jul-18	4.8	6.23	11.03	6.5	15.272	46	Sorghum
6	30-Aug-18	4.23	4.9	9.13	6.6	15.394	44	Sorghum
7	30-Sep-18	3.7	4.9	8.6	6.7	15.394	41	Millet
8	30-Oct-18	4	4.2	8.2	6.7	15.516	38	Maize
9	30-Nov-18	2	3.2	5.2	6.8	15.638	36	Maize

Current lactation performance		Current Lactation No			3rd			
Recording no	Recording Date DD-MM-YYYY	Milk yield (Kg)			Fat%	Total Solids	Environmental Temp (celcius)	Forage Type
		Morning	Evening	Total				
1	30-Mar-18	6.54	6.24	12.78	6	14.79	32	Berseem
2	30-Apr-18	6.145	6	12.145	6	14.79	36	Berseem
3	30-May-18	5.924	6.1	12.024	6.1	14.912	41	Sorghum
4	30-Jun-18	5.36	5.21	10.57	6.2	15.16	45	Sorghum
5	30-Jul-18	5	4.955	9.955	6.1	15.272	46	Sorghum
6	30-Aug-18	4.715	4.32	9.035	6	15.394	44	Sorghum
7	30-Sep-18	0	7.214	7.214	6.3	15.394	41	Sorghum
8	30-Oct-18	3.644	3.41	7.054	6.7	15.516	38	Maize
9	30-Nov-18	3	2.1	5.1	6.6	15.638	36	Maize

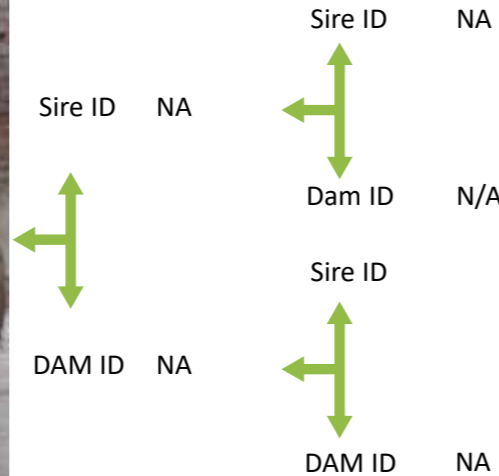
Performance History & Progeny Record

Performance History					Progeny Record		
Lactation no	Date of Calving MM-DD-YYYY	Date of Dry MM-DD-YYYY	Lactation Length	Milk yield (Lit.)	Calf ID	Sire ID	Sex
1	1-12-18	NA	NA	NA	Mukha	Landa	Female
2	NA	NA	NA	NA	NA	NA	NA
3	NA				NA	NA	

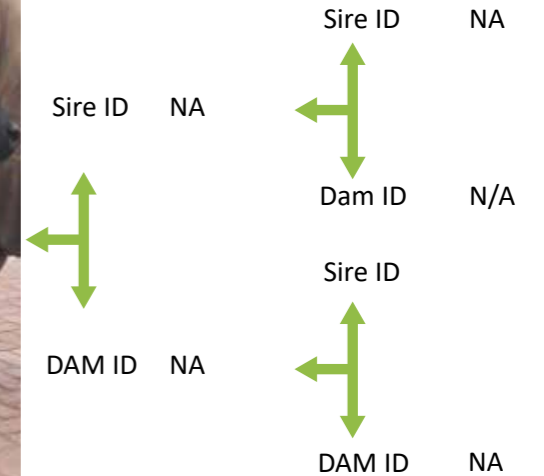
Performance History & Progeny Record

Performance History					Progeny Record		
Lactation no	Date of Calving MM-DD-YYYY	Date of Dry MM-DD-YYYY	Lactation Length	Milk yield (Lit.)	Calf ID	Sire ID	Sex
1	9-1-15	NA	NA	12	B-12	Nath wala	Female
2	10-18-16	NA	NA	14	B-21	Chora	Female
3	1-2-18				B-32	Chora	Female

International ID	Project ID	Buffalo Name	Breed	Date Of Birth
PKB-KS-002-022-269	Tag#269	Koonj	Nili-Ravi	4/4/2007



International ID	Project ID	Buffalo Name	Breed	Date Of Birth
PKB-KS-002-022-270	Tag#270	manki	Nili	6/2/2009



Current lactation performance		Current Lactation No			6th			
Recording no	Recording Date DD-MM-YYYY	Milk yield (Kg)			Fat%	Total Solids	Environmental Temp (celcius)	Forage Type
		Morning	Evening	Total				
1	30-Mar-18	7.8	6.6	14.4	6.2	14.79	32	Berseem
2	30-Apr-18	7	6.12	13.12	6.2	14.79	36	Berseem
3	30-May-18	7.2	5.91	13.11	6.3	14.912	41	Berseem
4	30-Jun-18	5.4	5.7	11.1	6.3	15.16	45	Sorghum
5	30-Jul-18	5.1	5.1	10.2	6.5	15.272	46	Sorghum
6	30-Aug-18	3.7	4.9	8.6	6.6	15.394	44	Sorghum
7	30-Sep-18	3.4	4.35	7.75	6.7	15.394	41	Millet
8	30-Oct-18	3.75	4	7.75	6.7	15.516	38	Maize
9	30-Nov-18	3	3.5	6.5	6.8	15.638	36	Maize

Current lactation performance		Current Lactation No			4th			
Recording no	Recording Date DD-MM-YYYY	Milk yield (Kg)			Fat%	Total Solids	Environmental Temp (celcius)	Forage Type
		Morning	Evening	Total				
1	30-Mar-18	6.9	7.8	14.7	6.2	15.034	35	Berseem
2	30-Apr-18	7.5	7	14.5	6.2	15.034	39	Berseem
3	30-May-18	6.9	7.2	14.1	6.3	15.156	42	Berseem
4	30-Jun-18	5.9	5.4	11.3	6.3	15.156	44	Sorghum
5	30-Jul-18	5.5	5.1	10.6	6.5	15.4	44	Sorghum
6	30-Aug-18	4.9	Nil	4.9	6.6	15.522	40	Sorghum
7	30-Sep-18	5	4.2	9.2	6.7	15.644	40	Millet
8	30-Oct-18	3	3.4	6.4	6.7	15.644	39	Maize
9	30-Nov-18	3	2.4	5.4	6.8	15.766	36	Maize

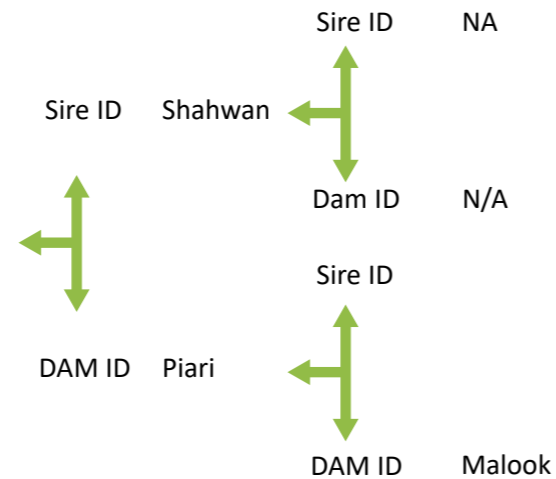
Performance History & Progeny Record

Performance History					Progeny Record		
Lactation no	Date of Calving MM-DD-YYYY	Date of Dry MM-DD-YYYY	Lactation Length	Milk yield (Lit.)	Calf ID	Sire ID	Sex
1	NA	NA	NA	NA	NA	NA	NA
2	NA	NA	NA	11	NA	NA	NA
3	2-2-18				B-33	Kala Jhota	

Performance History & Progeny Record

Performance History					Progeny Record		
Lactation no	Date of Calving MM-DD-YYYY	Date of Dry MM-DD-YYYY	Lactation Length	Milk yield (Lit.)	Calf ID	Sire ID	Sex
1	NA	NA	NA	11	NA	NA	NA
2	NA	NA	NA	14	NA	NA	NA
3	2-12-18				Moor	NA	Male

International ID	Project ID	Buffalo Name	Breed	Date Of Birth
PKB-KS-002-022-271	Tag#271	Ludeni	Nili	12/29/2012



Current lactation performance		Current Lactation No			1st	Fat%	Total Solids	Environmental Temp (celcius)	Forage Type
Recording no	Recording Date DD-MM-YYYY	Milk yield (Kg)							
		Morning	Evening	Total					
1	30-Mar-18	6.6	6.2	12.8	6.2	15.034	35	Berseem	
2	30-Apr-18	6.1	6.8	12.9	6.2	15.034	39	Berseem	
3	30-May-18	5.3	6	11.3	6.3	15.156	42	Berseem	
4	30-Jun-18	4.9	5.41	10.31	6.3	15.156	44	Sorghum	
5	30-Jul-18	4.4	Nil	4.4	6.5	15.4	44	Sorghum	
6	30-Aug-18	4.1	4	8.1	6.6	15.522	40	Sorghum	
7	30-Sep-18	3.9	3.2	7.1	6.7	15.644	40	Millet	
8	30-Oct-18	3.7	2.5	6.2	6.7	15.644	39	Maize	
9	30-Nov-18	1	Nil	1	6.8	15.766	36	Maize	

Performance History & Progeny Record

Performance History					Progeny Record		
Lactation no	Date of Calving MM-DD-YYYY	Date of Dry MM-DD-YYYY	Lactation Length	Milk yield (Lit.)	Calf ID	Sire ID	Sex
1	1-23-18	NA	NA	NA	Balla	Chora	Female
2							
3							

AW-023

Ch. Abbas Gujjar



Farmer Detail

Name	Ch. Abbas Gujjar
Address	Peeran Wali, Tehsil Arifwala
Contact No	0323-8480411
CNIC	84036-40481033-1

Buffaloes Detail

Adults	Heifers	Calves	Bull	Total
25	12	17	2	46

Star Marked And changed colour is current practice of farmer from below Table

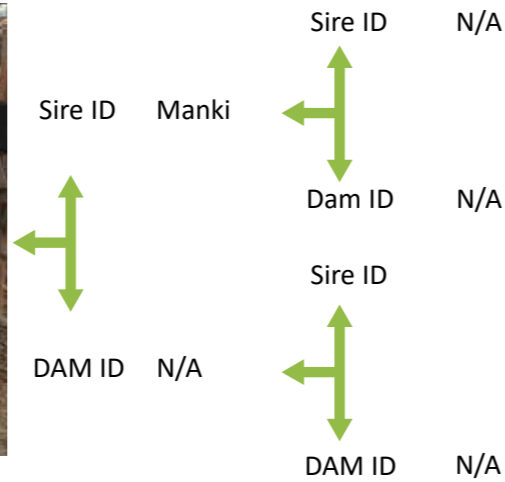
Feeding system

NFS	Necessary feeding system	Total mixed ration @3% Body wieght
* HIFS	High input feeding system	Forage ad lib+ Silage/Hay+Concentrate+free water access
MIFS	Medium input feeding system	Forage ad lib+ occasional Concentrate+free water access
LIFS	Low input feeding system	Forage ad lib+ water access on offering
PIFS	Poor input feeding system	Grazing from communal land+ Water access on offering

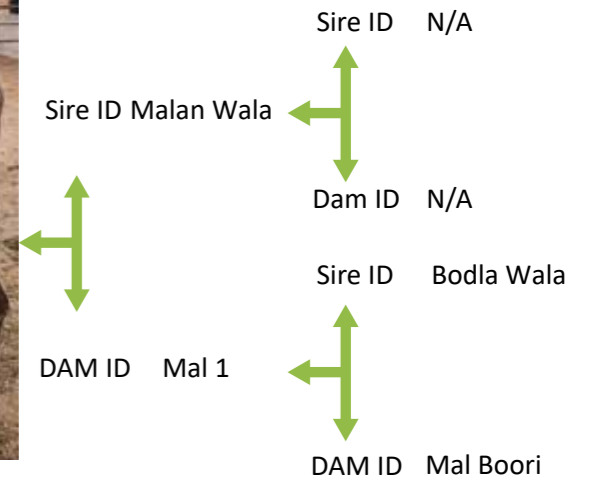
Housing System

Excellent	Loose stall, Proper feeding manger+Free access to pound+excellent Ventilation+Bedding in resting area
* Good	Loose stall, proper feeding manger+Once a day access to pound+resting area+excellent ventilation
Above average	Loose stall, proper feeding manger+resting area+good ventilation
Average	Tie stall+proper feeding manger+Resting area+good ventilation
Poor	Tie stall+poor ventilation+ No resting area

International ID	Project ID	Buffalo Name	Breed	Date Of Birth
PKB-AW-003-023-097	Tag#97	Heer	Nili	N/A



International ID	Project ID	Buffalo Name	Breed	Date Of Birth
PKB-AW-003-023-098	Tag#98	Mal	Nili	N/A



Current lactation performance		Current Lactation No			12th			
Recording no	Recording Date DD-MM-YYYY	Milk yield (Kg)			Fat%	Total Solids	Environmental Temp (celcius)	Forage Type
		Morning	Evening	Total				
1	14-Mar-18	7.25	8.01	15.26	6.2	15.034	32	Berseem
2	14-Apr-18	8.2	8.9	17.1	6.2	15.034	39	Berseem
3	14-May-18	7.3	8.4	15.7	6.4	15.156	42	Maize
4	14-Jun-18	7	8.3	15.3	6.3	15.278	45	Sorghum
5	14-Jul-18	6.5	7.3	13.8	6.4	15.522	44	Sorghum
6	14-Aug-18	5.33	5.33	10.68	6.5	15.522	39	Sorghum
7	14-Sep-18	4.9	5.3	10.2	6.8	15644	41	Sorghum
8	14-Oct-18	4	3.1	7.1	6.9	15.888	36	Maize
9	14-Nov-18	3.5	3	6.5	6.9	15.888	35	Maize

Current lactation performance		Current Lactation No			3rd			
Recording no	Recording Date DD-MM-YYYY	Milk yield (Kg)			Fat%	Total Solids	Environmental Temp (celcius)	Forage Type
		Morning	Evening	Total				
1	14-Mar-18	8.9	9.2	18.1	6.2	15.034	32	Berseem
2	14-Apr-18	9.98	8.7	18.68	6.2	15.034	39	Berseem
3	14-May-18	8.97	8.1	17.07	6.4	15.156	42	Maize
4	14-Jun-18	7.9	8	15.9	6.3	15.278	45	Sorghum
5	14-Jul-18	7.05	7.23	14.28	6.4	15.522	44	Sorghum
6	14-Aug-18	5.9	5.33	11.23	6.5	15.522	39	Sorghum
7	14-Sep-18	3.7	4.9	8.6	6.8	15644	41	Sorghum
8	14-Oct-18	3.76	4	7.76	6.9	15.888	36	Maize
9	14-Nov-18	3.98	3.5	7.28	6.9	15.888	35	Maize

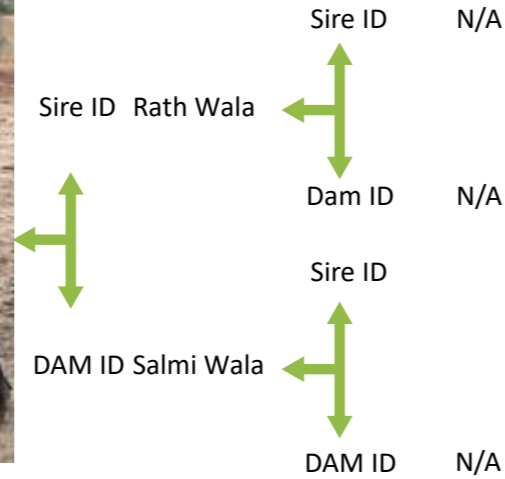
Performance History & Progeny Record

Performance History					Progeny Record		
Lactation no	Date of Calving MM-DD-YYYY	Date of Dry MM-DD-YYYY	Lactation Length	Milk yield (Lit.)	Calf ID	Sire ID	Sex
1	NA	NA	NA	NA	NA	NA	NA
2	NA	NA	NA	NA	NA	NA	NA
3	02-24-2018				NA	Female	NA

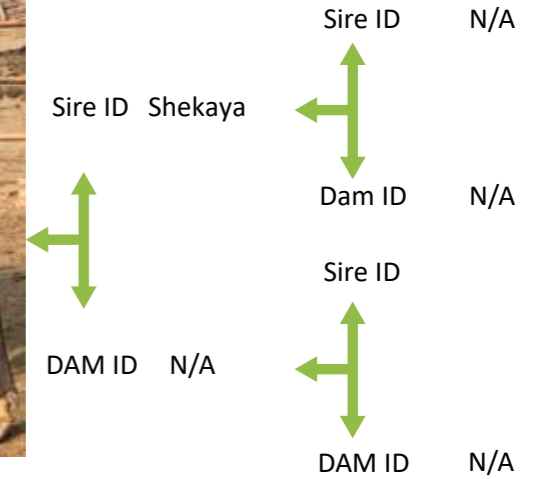
Performance History & Progeny Record

Performance History					Progeny Record		
Lactation no	Date of Calving MM-DD-YYYY	Date of Dry MM-DD-YYYY	Lactation Length	Milk yield (Lit.)	Calf ID	Sire ID	Sex
1	NA	NA	NA	NA	NA	NA	NA
2	NA	NA	NA	NA	NA	NA	NA
3	01-19-2018				NA	NA	Female

International ID	Project ID	Buffalo Name	Breed	Date Of Birth
PKB-AW-003-023-099	Tag#99	Mid-night	Nili	N/A



International ID	Project ID	Buffalo Name	Breed	Date Of Birth
PKB-AW-003-023-100	Tag#100	Mali	Nili	N/A



Current lactation performance		Current Lactation No			3rd			
Recording no	Recording Date DD-MM-YYYY	Milk yield (Kg)			Fat%	Total Solids	Environmental Temp (celcius)	Forage Type
		Morning	Evening	Total				
1	14-Mar-18	7.25	8.01	15.26	6.2	15.034	32	Berseem
2	14-Apr-18	8.2	8.9	17.1	6.2	15.034	39	Berseem
3	14-May-18	7.3	8.4	15.7	6.4	15.156	42	Maize
4	14-Jun-18	7	8.3	15.3	6.3	15.278	45	Sorghum
5	14-Jul-18	6.5	7.3	13.8	6.4	15.522	44	Sorghum
6	14-Aug-18	5.33	5.35	10.68	6.5	15.522	39	Sorghum
7	14-Sep-18	4.9	5.3	10.2	6.8	15644	41	Sorghum
8	14-Oct-18	4	3.1	7.1	6.9	15.888	36	Maize
9	14-Nov-18	3.5	3	6.5	6.9	15.888	35	Maize

Current lactation performance		Current Lactation No			3rd			
Recording no	Recording Date DD-MM-YYYY	Milk yield (Kg)			Fat%	Total Solids	Environmental Temp (celcius)	Forage Type
		Morning	Evening	Total				
1	14-Mar-18	8.01	8.9	16.91	6.2	15.034	32	Berseem
2	14-Apr-18	8.9	9.876	18.776	6.2	15.034	39	Berseem
3	14-May-18	8.4	8.97	17.37	6.4	15.156	42	Maize
4	14-Jun-18	8.3	7.9	16.2	6.3	15.278	45	Sorghum
5	14-Jul-18	7.3	7.05	14.35	6.4	15.522	44	Sorghum
6	14-Aug-18	5.35	5.9	11.25	6.5	15.522	39	Sorghum
7	14-Sep-18	5.3	3.7	9	6.8	15644	41	Sorghum
8	14-Oct-18	3.1	4	7.1	6.9	15.888	36	Maize
9	14-Nov-18	3	2	5	6.9	15.888	35	Maize

Performance History & Progeny Record

Performance History					Progeny Record		
Lactation no	Date of Calving MM-DD-YYYY	Date of Dry MM-DD-YYYY	Lactation Length	Milk yield (Lit.)	Calf ID	Sire ID	Sex
1	NA	NA	NA	NA	NA	NA	NA
2	NA	NA	NA	NA	NA	NA	NA
3	NA				NA	NA	Male

Performance History & Progeny Record

Performance History					Progeny Record		
Lactation no	Date of Calving MM-DD-YYYY	Date of Dry MM-DD-YYYY	Lactation Length	Milk yield (Lit.)	Calf ID	Sire ID	Sex
1	NA	NA	NA	NA	NA	NA	NA
2	NA	NA	NA	NA	NA	NA	NA
3	NA				NA	NA	Female

CN-024

Malik Riaz Ahmad Khokhar



Farmer Detail

Name	Malik Riaz Ahmad Khokhar
Address	cheena (Chunian) Kusar
Contact No	0308-8710587
CNIC	35101-3964312-9

Buffaloes Detail

Adults	Heifers	Calves	Bull	Total
13	5	8	1	27

Star Marked And changed colour is current practice of farmer from below Table

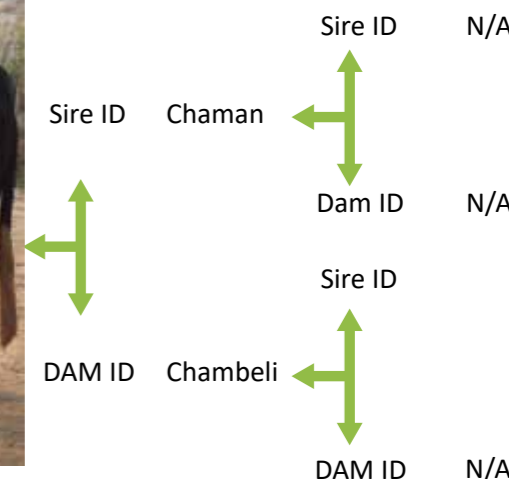
Feeding system

NFS	Necessary feeding system	Total mixed ration @3% Body wieght
HIFS	High input feeding system	Forage ad lib+ Silage/Hay+Concentrate+free water access
MIFS	Medium input feeding system	Forage ad lib+ occasional Concentrate+free water access
* LIFS	Low input feeding system	Forage ad lib+ water access on offering
PIFS	Poor input feeding system	Grazing from communal land+ Water access on offering

Housing System

Excellent	Loose stall,Proper feeding manger+Free access to pound+excellent Ventilation+Bedding in resting area
Good	Loose stall, proper feeding manger+Once a day access to pound+resting area+excellent ventilation
* Above average	Loose stall, proper feeding manger+resting area+good ventilation
Average	Tie stall+proper feeding manger+Resting area+good ventilation
Poor	Tie stall+poor ventilation+ No resting area

International ID	Project ID	Buffalo Name	Breed	Date Of Birth
PKB-KS-002-024-047	Tag#47	Maran wali	Nili Ravi	11/23/2011

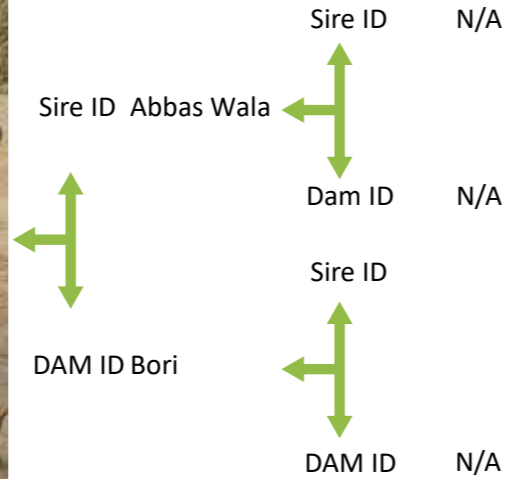


Recording no	Recording Date DD-MM-YYYY	Milk yield (Kg)			Fat%	Total Solids	Environmental Temp (celcius)	Forage Type
		Morning	Evening	Total				
1	14-Mar-18	7.8	6.9	14.7	6.2	14.662	36	Berssem
2	14-Apr-18	8.35	7.5	15.85	6.4	14.784	40	Berssem
3	14-May-18	5.5	6.9	12.4	6.5	15.15	42	Berssem
4	14-Jun-18	5.02	5.9	10.92	6.5	15.16	44	Sorghum
5	14-Jul-18	4.9	5.5	10.4	6.6	15.272	44	Sorghum
6	14-Aug-18	3.7	4.9	8.6	6.8	15.394	40	Sorghum
7	14-Sep-18	3.4	3.5	6.9	6.7	15.394	41	Sorghum
8	14-Oct-18	3.75	3	6.75	6.8	15.516	36	Maize
9	14-Nov-18	3	3	6	6.9	15.638	34	Maize

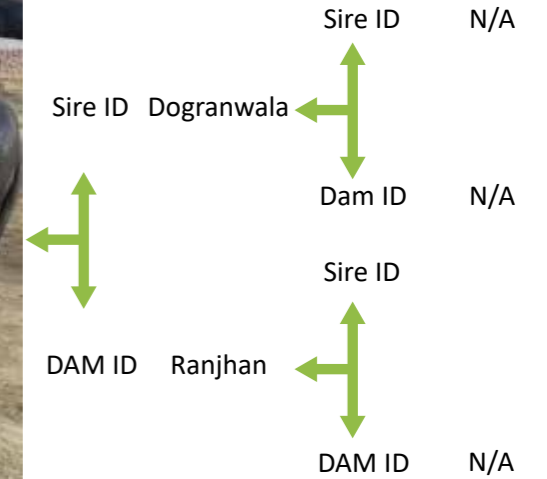
Performance History & Progeny Record

Performance History					Progeny Record		
Lactation no	Date of Calving MM-DD-YYYY	Date of Dry MM-DD-YYYY	Lactation Length	Milk yield (Lit.)	Calf ID	Sire ID	Sex
1	NA	NA	NA	21	NA	Jungoo	Female
2	NA	NA	NA	22	NA	Jungoo	Female
3	2-12-18				NA	Jungoo	Female

International ID	Project ID	Buffalo Name	Breed	Date Of Birth
PKB-KS-002-024-054	Tag#54	Boori Wali	Nili Ravi	11/23/2011



International ID	Project ID	Buffalo Name	Breed	Date Of Birth
PKB-KS-002-024-046	Tag#46	Ranghan	Nili Ravi	NA



Current lactation performance		Current Lactation No			4th			
Recording no	Recording Date DD-MM-YYYY	Milk yield (Kg)			Fat%	Total Solids	Environmental Temp (celcius)	Forage Type
		Morning	Evening	Total				
1	14-Mar-18	10.4	10.1	20.5	6.2	14.662	36	Berseem
2	14-Apr-18	10.1	9.7	19.8	6.4	14.784	40	Berseem
3	14-May-18	9.8	9.9	19.7	6.5	15.15	42	Berseem
4	14-Jun-18	8.1	9.1	17.2	6.5	15.16	44	Sorghum
5	14-Jul-18	8.2	8.35	16.55	6.6	15.272	44	Sorghum
6	14-Aug-18	6	7.4	13.4	6.8	15.394	40	Sorghum
7	14-Sep-18	5.3	6.2	11.5	6.7	15.394	41	Sorghum
8	14-Oct-18	4.71	3.9	8.61	6.8	15.156	36	Maize
9	14-Nov-18	3.21	3	6.21	6.9	15.638	34	Maize

Current lactation performance		Current Lactation No			1st			
Recording no	Recording Date DD-MM-YYYY	Milk yield (Kg)			Fat%	Total Solids	Environmental Temp (celcius)	Forage Type
		Morning	Evening	Total				
1	14-Mar-18	6.9	6.9	13.8	6.2	14.662	36	Berseem
2	14-Apr-18	7.2	7.5	14.7	6.4	14.784	40	Berseem
3	14-May-18	6.5	6.9	13.4	6.5	15.15	42	Berseem
4	14-Jun-18	6.21	5.9	12.11	6.5	15.16	44	Sorghum
5	14-Jul-18	5.7	5.5	11.2	6.6	15.272	44	Sorghum
6	14-Aug-18	5.35	5.45	10.8	6.8	15.394	40	Sorghum
7	14-Sep-18	5.3	4.35	9.65	6.7	15.394	41	Sorghum
8	14-Oct-18	3.1	4	7.1	6.8	15.156	36	Maize
9	14-Nov-18	3	3.5	6.5	6.9	15.638	34	Maize

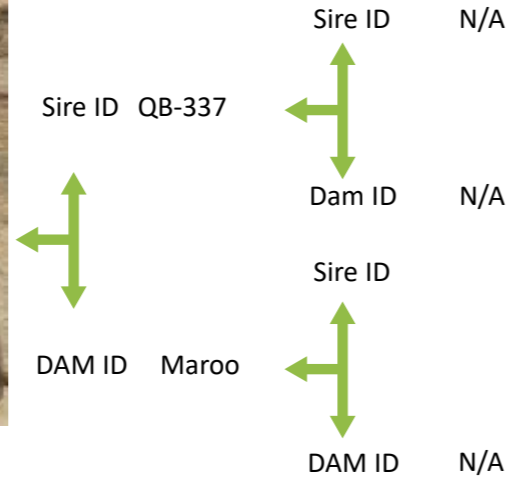
Performance History & Progeny Record

Performance History					Progeny Record		
Lactation no	Date of Calving MM-DD-YYYY	Date of Dry MM-DD-YYYY	Lactation Length	Milk yield (Lit.)	Calf ID	Sire ID	Sex
1	NA	NA	NA	21	NA	Jungoo	Female
2	NA	NA	NA	22	NA	Jungoo	Female
3	1-1-18				NA	Jungoo	Female

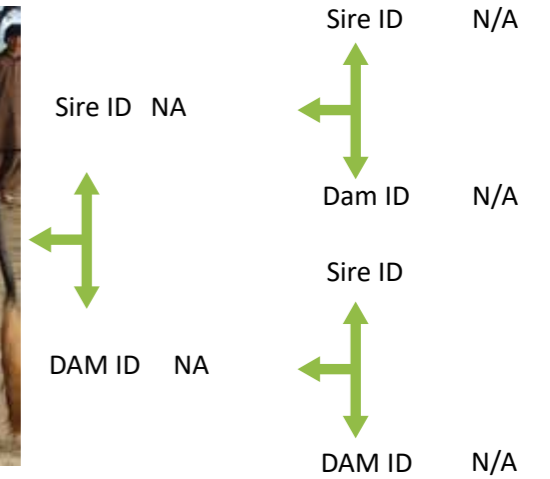
Performance History & Progeny Record

Performance History					Progeny Record		
Lactation no	Date of Calving MM-DD-YYYY	Date of Dry MM-DD-YYYY	Lactation Length	Milk yield (Lit.)	Calf ID	Sire ID	Sex
1	1-4-18	NA	NA	NA	NA	Chand	Female
2	NA	NA	NA	NA	NA	NA	NA
3	NA				NA	NA	NA

International ID	Project ID	Buffalo Name	Breed	Date Of Birth
PKB-KS-002-024-053	Tag#53	Phool	Nili Ravi	NA



International ID	Project ID	Buffalo Name	Breed	Date Of Birth
PKB-KS-002-024-272	Tag#272	Rani	Nili	NA



Current lactation performance		Current Lactation No			4th			
Recording no	Recording Date DD-MM-YYYY	Milk yield (Kg)			Fat%	Total Solids	Environmental Temp (celcius)	Forage Type
		Morning	Evening	Total				
1	14-Mar-18	8.2	8.412	16.612	6.2	14.662	36	Berseem
2	14-Apr-18	7.51	7.92	15.43	6.4	14.784	40	Berseem
3	14-May-18	7.321	7.1	14.421	6.5	15.15	42	Berseem
4	14-Jun-18	6.81	6.51	13.32	6.5	15.16	44	Sorghum
5	14-Jul-18	6.521	6.31	12.831	6.6	15.272	44	Sorghum
6	14-Aug-18	5.45	5.35	10.8	6.8	15.394	40	Sorghum
7	14-Sep-18	4.35	5.3	9.65	6.7	15.394	41	Sorghum
8	14-Oct-18	4	0	4	6.8	15.156	36	Maize
9	14-Nov-18	3.5	0	3.5	6.9	15.638	34	Maize

Current lactation performance		Current Lactation No			2nd			
Recording no	Recording Date DD-MM-YYYY	Milk yield (Kg)			Fat%	Total Solids	Environmental Temp (celcius)	Forage Type
		Morning	Evening	Total				
1	14-Mar-18	7.9	6.6	14.5	6.2	14.662	36	Berseem
2	14-Apr-18	7.05	7.2	14.25	6.4	14.784	40	Berseem
3	14-May-18	5.9	7	12.9	6.5	15.15	42	Berseem
4	14-Jun-18	5.2	6.5	11.7	6.5	15.16	44	Sorghum
5	14-Jul-18	4.8	6.1	10.9	6.6	15.272	44	Sorghum
6	14-Aug-18	4	5.45	9.45	6.8	15.394	40	Sorghum
7	14-Sep-18	3.7	4.35	8.05	6.7	15.394	41	Sorghum
8	14-Oct-18	0	4	4	6.8	15.156	36	Maize
9	14-Nov-18	0	3.5	3.5	6.9	15.638	34	Maize

Performance History & Progeny Record

Performance History					Progeny Record		
Lactation no	Date of Calving MM-DD-YYYY	Date of Dry MM-DD-YYYY	Lactation Length	Milk yield (Lit.)	Calf ID	Sire ID	Sex
1	NA	NA	NA	14	Bili	Jungoo	Female
2	NA	NA	NA	16	Bagi	Jungoo	Female
3	12-22-17				Lunda	Chnad	Male

Performance History & Progeny Record

Performance History					Progeny Record		
Lactation no	Date of Calving MM-DD-YYYY	Date of Dry MM-DD-YYYY	Lactation Length	Milk yield (Lit.)	Calf ID	Sire ID	Sex
1	NA	NA	NA	10	NA	NA	NA
2	NA	NA	NA	13	Bili	Jungoo	Female
3	2-24-18				Balla	Chnad	Male

KS-025

Ch. Mushtaq Ahmed Sindhu



Farmer Detail

Name	Ch. Mushtaq Ahmed Sindhu
Address	Mouza Cheena District Kasur
Contact No	0300-6545067
CNIC	35101-9574954-1

Buffaloes Detail

Adults	Heifers	Calves	Bull	Total
18	7	12	1	38

Star Marked And changed colour is current practice of farmer from below Table

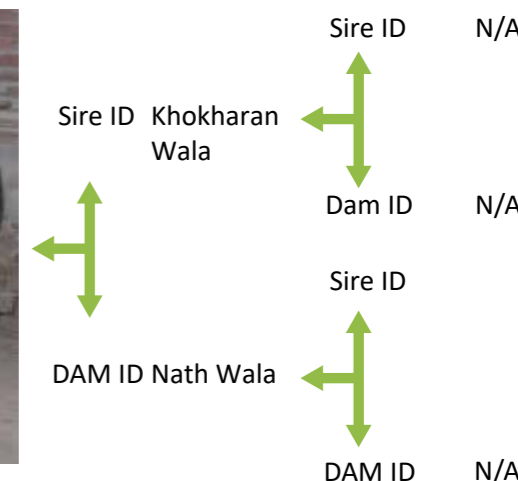
Feeding system

NFS	Necessary feeding system	Total mixed ration @3% Body wieght
HIFS	High input feeding system	Forage ad lib+ Silage/Hay+Concentrate+free water access
MIFS	Medium input feeding system	Forage ad lib+ occasional Concentrate+free water access
* LIFS	Low input feeding system	Forage ad lib+ water access on offering
PIFS	Poor input feeding system	Grazing from communal land+ Water access on offering

Housing System

Excellent	Loose stall,Proper feeding manger+Free access to pound+excellent Ventilation+Bedding in resting area
Good	Loose stall, proper feeding manger+Once a day access to pound+resting area+excellent ventilation
Above average	Loose stall, proper feeding manger+resting area+good ventilation
* Average	Tie stall+proper feeding manger+Resting area+good ventilation
Poor	Tie stall+poor ventilation+ No resting area

International ID	Project ID	Buffalo Name	Breed	Date Of Birth
PKB-KS-002-025-049	Tag#49	Sapna	Nili	N/A

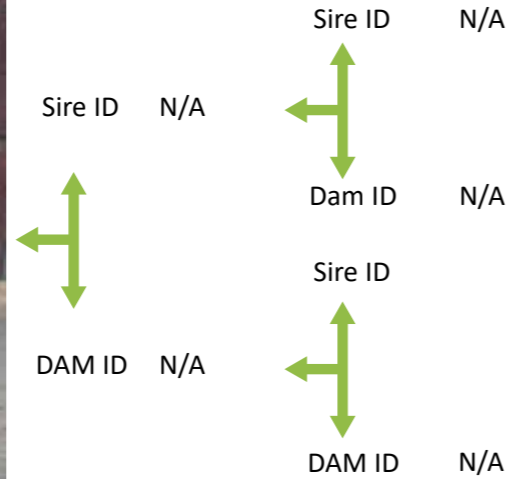


Recording no	Recording Date DD-MM-YYYY	Milk yield (Kg)			Fat%	Total Solids	Environmental Temp (celcius)	Forage Type
		Morning	Evening	Total				
1	2-Mar-18	8.1	8.7	16.8	6.3	14.156	36	Berseem
2	2-Apr-18	7.9	7.7	15.6	6.2	15.034	39	Berseem
3	2-May-18	7.4	7.2	14.6	6.2	15.034	40	Berseem
4	2-Jun-18	6.1	6	12.1	6.5	15.4	44	Sorghum
5	2-Jul-18	4.9	5.2	10.1	6.7	15.466	44	Sorghum
6	2-Aug-18	5.7	5.1	10.8	6.9	15.888	41	Sorghum
7	2-Sep-18	3.4	4.2	7.6	7.1	16.132	38	Maize
8	2-Oct-18	4.2	0	4.2	7	16.01	39	Maize
9	2-Nov-18	0	4.1	4.1	7.4	16.498	32	Maize

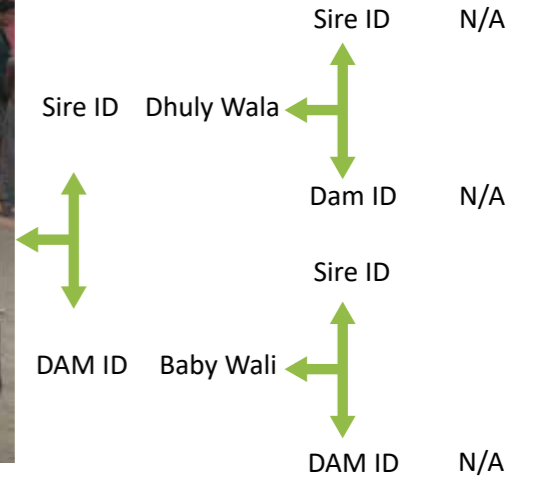
Performance History & Progeny Record

Performance History					Progeny Record		
Lactation no	Date of Calving MM-DD-YYYY	Date of Dry MM-DD-YYYY	Lactation Length	Milk yield (Lit.)	Calf ID	Sire ID	Sex
1	NA	NA	NA	11	NA	Jungoo	Male
2	NA	NA	NA	16	NA	Sami Wala	Male
3	4/2/2018				NA	Sami Wala	Male

International ID	Project ID	Buffalo Name	Breed	Date Of Birth
PKB-KS-002-025-050	Tag#50	Moorni	Nili Ravi	N/A



International ID	Project ID	Buffalo Name	Breed	Date Of Birth
PKB-KS-002-025-051	Tag#51	Maran Wala	Nili Ravi	N/A



Current lactation performance		Current Lactation No			4th			
Recording no	Recording Date DD-MM-YYYY	Milk yield (Kg)			Fat%	Total Solids	Environmental Temp (celcius)	Forage Type
		Morning	Evening	Total				
1	2-Mar-18	8.2	8.1	16.3	6.3	14.156	36	Berseem
2	2-Apr-18	9.3	8.7	18	6.2	15.034	39	Berseem
3	2-May-18	7.1	8.2	15.3	6.2	15.034	40	Berseem
4	2-Jun-18	6.2	7.1	13.3	6.5	15.4	44	Sorghum
5	2-Jul-18	5.4	5.9	11.3	6.7	15.466	44	Sorghum
6	2-Aug-18	4.7	5.1	9.8	6.9	15.888	41	Sorghum
7	2-Sep-18	3.9	4.2	8.1	7.1	16.132	38	Maize
8	2-Oct-18	2.1	4.6	6.7	7	16.01	39	Maize
9	2-Nov-18	0	5.2	5.2	7.4	16.498	32	Maize

Current lactation performance		Current Lactation No			2nd			
Recording no	Recording Date DD-MM-YYYY	Milk yield (Kg)			Fat%	Total Solids	Environmental Temp (celcius)	Forage Type
		Morning	Evening	Total				
1	2-Mar-18	7.2	7.1	14.3	6.3	14.156	36	Berseem
2	2-Apr-18	6.9	6.5	13.4	6.2	15.034	39	Berseem
3	2-May-18	6.1	6.9	13	6.2	15.034	40	Berseem
4	2-Jun-18	2.2	9.4	11.6	6.5	15.4	44	Sorghum
5	2-Jul-18	5.4	5.1	10.5	6.7	15.466	44	Sorghum
6	2-Aug-18	4.9	4.2	9.1	6.9	15.888	41	Sorghum
7	2-Sep-18	4.1	4.9	9	7.1	16.132	38	Maize
8	2-Oct-18	3.6	4.1	7.7	7	16.01	39	Maize
9	2-Nov-18	2	3.7	5.7	7.4	16.498	32	Maize

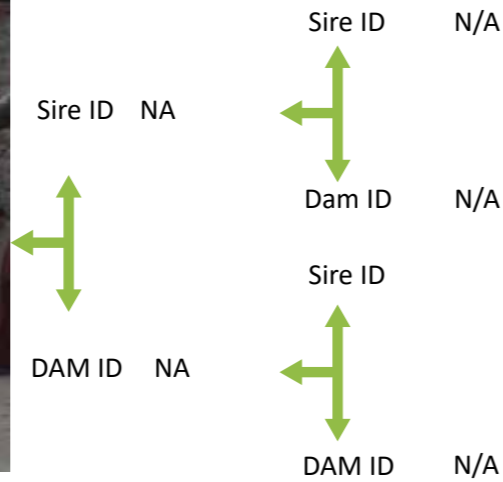
Performance History & Progeny Record

Performance History					Progeny Record		
Lactation no	Date of Calving MM-DD-YYYY	Date of Dry MM-DD-YYYY	Lactation Length	Milk yield (Lit.)	Calf ID	Sire ID	Sex
1	NA	NA	NA	18	NA	Nath	Female
2	NA	NA	NA	20	NA	Mian Sami	Female
3	1-19-18				NA	Mian Wala	Female

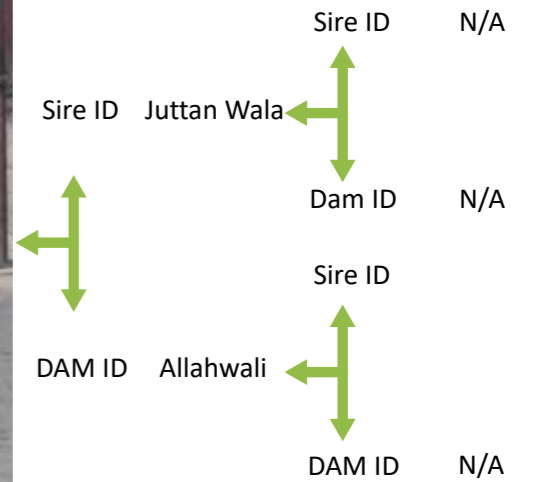
Performance History & Progeny Record

Performance History					Progeny Record		
Lactation no	Date of Calving MM-DD-YYYY	Date of Dry MM-DD-YYYY	Lactation Length	Milk yield (Lit.)	Calf ID	Sire ID	Sex
1	NA	NA	NA	14	NA	Khokhan	Female
2	NA	NA	NA	16	NA	QB-1023	Female
3	2-14-18				NA	QB-1022	Male

International ID	Project ID	Buffalo Name	Breed	Date Of Birth
PKB-KS-002-025-272	Tag#272	Tayli	Nili Ravi	N/A



International ID	Project ID	Buffalo Name	Breed	Date Of Birth
PKB-KS-002-025-273	Tag#273	Sajni	Nili Ravi	N/A



Current lactation performance		Current Lactation No			4th			
Recording no	Recording Date DD-MM-YYYY	Milk yield (Kg)			Fat%	Total Solids	Environmental Temp (celcius)	Forage Type
		Morning	Evening	Total				
1	2-Mar-18	5.2	5.1	10.3	6.3	14.156	36	Berseem
2	2-Apr-18	5.1	4.6	10.7	6.2	15.034	39	Berseem
3	2-May-18	4.6	4.9	9.5	6.2	15.034	40	Berseem
4	2-Jun-18	4.2	5	9.2	6.5	15.4	44	Sorghum
5	2-Jul-18	3.7	4.2	7.9	6.7	15.466	44	Sorghum
6	2-Aug-18	4.9	4.9	9.8	6.9	15.888	41	Sorghum
7	2-Sep-18	4.3	3.6	7.9	7.1	16.132	38	Maize
8	2-Oct-18	3.1	3.7	6.8	7	16.01	39	Maize
9	2-Nov-18	2.6	3.4	6	7.4	16.498	32	Maize

Current lactation performance		Current Lactation No			3rd			
Recording no	Recording Date DD-MM-YYYY	Milk yield (Kg)			Fat%	Total Solids	Environmental Temp (celcius)	Forage Type
		Morning	Evening	Total				
1	2-Mar-18	6.2	6.4	12.6	6.3	14.156	36	Berseem
2	2-Apr-18	6.5	6.9	13.4	6.2	15.034	39	Berseem
3	2-May-18	6.2	6.8	13	6.2	15.034	40	Berseem
4	2-Jun-18	5.7	6	11.7	6.5	15.4	44	Sorghum
5	2-Jul-18	5.1	5.1	10.2	6.7	15.466	44	Sorghum
6	2-Aug-18	4.2	4.9	9.1	6.9	15.888	41	Sorghum
7	2-Sep-18	3.5	4.2	7.7	7.1	16.132	38	Maize
8	2-Oct-18	3.3	4.6	7.9	7	16.01	39	Maize
9	2-Nov-18	2.9	3.7	6.6	7.4	16.498	32	Maize

Performance History & Progeny Record

Performance History					Progeny Record		
Lactation no	Date of Calving MM-DD-YYYY	Date of Dry MM-DD-YYYY	Lactation Length	Milk yield (Lit.)	Calf ID	Sire ID	Sex
1	NA	NA	NA	10	NA	NA	Male
2	NA	NA	NA	11	NA	Mian Sami	Female
3	1-6-18				NA	Mian Wala	Female

Performance History & Progeny Record

Performance History					Progeny Record		
Lactation no	Date of Calving MM-DD-YYYY	Date of Dry MM-DD-YYYY	Lactation Length	Milk yield (Lit.)	Calf ID	Sire ID	Sex
1	NA	NA	NA	NA	NA	NA	NA
2	NA	NA	NA	NA	NA	NA	NA
3	9-2-18				Mouch pagga	Mian wala	Male

KS-026

Ch. Mushtaq Ahmad Kambo



Farmer Detail

Name	Ch. Mushtaq Ahmad Kambo
Address	Kot radha kission
Contact No	0300-8848162
CNIC	35102-9769546-1

Buffaloes Detail

Adults	Heifers	Calves	Bull	Total
12	5	9	1	27

Star Marked And changed colour is current practice of farmer from below Table

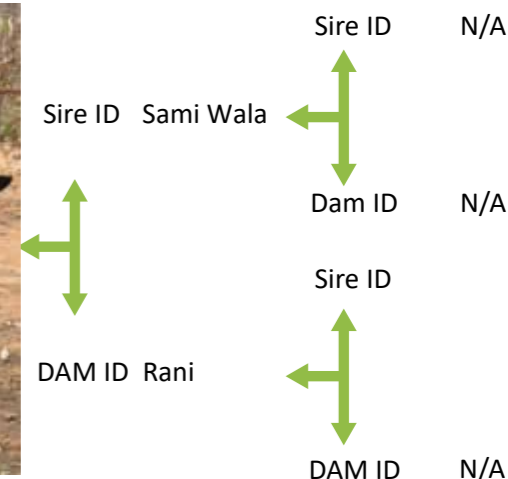
Feeding system

NFS	Necessary feeding system	Total mixed ration @3% Body wieght
HIFS	High input feeding system	Forage ad lib+ Silage/Hay+Concentrate+free water access
MIFS	Medium input feeding system	Forage ad lib+ occasional Concentrate+free water access
* LIFS	Low input feeding system	Forage ad lib+ water access on offering
PIFS	Poor input feeding system	Grazing from communal land+ Water access on offering

Housing System

Excellent	Loose stall,Proper feeding manger+Free access to pound+excellent Ventilation+Bedding in resting area
Good	Loose stall, proper feeding manger+Once a day access to pound+resting area+excellent ventilation
* Above average	Loose stall, proper feeding manger+resting area+good ventilation
Average	Tie stall+proper feeding manger+Resting area+good ventilation
Poor	Tie stall+poor ventilation+ No resting area

International ID	Project ID	Buffalo Name	Breed	Date Of Birth
PKB-KS-002-026-081	Tag#81	Bilo	Nili Ravi	N/A

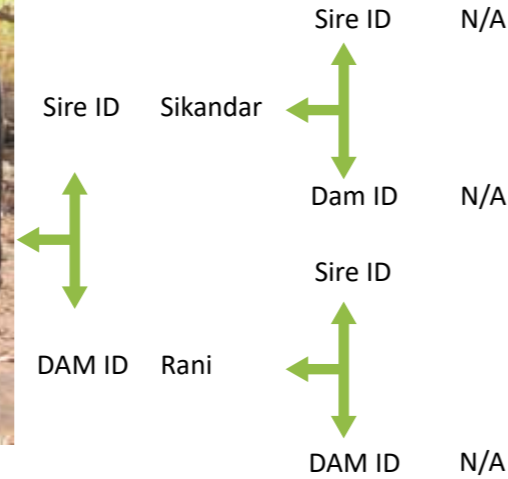


Recording no	Recording Date DD-MM-YYYY	Milk yield (Kg)			Fat%	Total Solids	Environmental Temp (celcius)	Forage Type
		Morning	Evening	Total				
1	3-Mar-18	5	5.3	10.3	6.1	14.912	32	Berseem
2	3-Apr-18	4.3	5.2	9.5	6.4	15.278	34	Berseem
3	3-May-18	4.7	5	9.7	6.5	15.4	40	Berseem
4	3-Jun-18	4.1	4.6	8.7	6.5	15.4	41	Sorghum
5	3-Jul-18	3.5	3.1	6.6	6.8	15.766	45	Sorghum
6	3-Aug-18	3.1	3	6.1	7.1	15.888	41	Sorghum
7	3-Sep-18	3.4	3.7	7.1	7.4	16.132	38	Sorghum
8	3-Oct-18	2.9	3.1	6	7.8	16.986	35	Maize
9	3-Nov-18	2	4	6	7.8	16.989	31	Maize

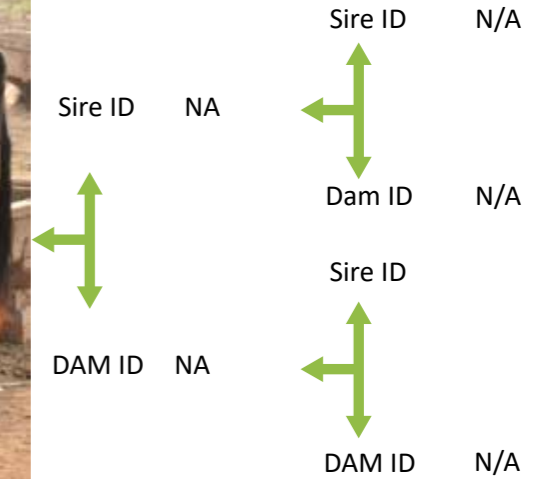
Performance History & Progeny Record

Performance History					Progeny Record		
Lactation no	Date of Calving MM-DD-YYYY	Date of Dry MM-DD-YYYY	Lactation Length	Milk yield (Lit.)	Calf ID	Sire ID	Sex
1	1-6-18	NA	NA	NA	B-24	Sikandar	Male
2	NA	NA	NA	NA	NA	NA	Male
3	NA				NA	NA	Male

International ID	Project ID	Buffalo Name	Breed	Date Of Birth
PKB-KS-002-026-082	Tag#82	Maro	Nili Ravi	N/A



International ID	Project ID	Buffalo Name	Breed	Date Of Birth
PKB-KS-002-026-083	Tag#83	Malangni	Nili Ravi	N/A



Current lactation performance		Current Lactation No			2nd	Fat%	Total Solids	Environmental Temp (celcius)	Forage Type
Recording no	Recording Date DD-MM-YYYY	Milk yield (Kg)							
		Morning	Evening	Total					
1	3-Mar-18	6.5	6.3	12.8	6.1	14.912	32	Berseem	
2	3-Apr-18	6.3	7	13.3	6.4	15.278	34	Berseem	
3	3-May-18	6.1	6.5	12.6	6.5	15.4	40	Berseem	
4	3-Jun-18	5.7	5.8	11.5	6.5	15.4	41	Sorghum	
5	3-Jul-18	5.2	5	10.2	6.8	15.766	45	Sorghum	
6	3-Aug-18	4.4	4.7	9.1	7.1	15.888	41	Sorghum	
7	3-Sep-18	4.9	5.1	10	7.4	16.132	38	Sorghum	
8	3-Oct-18	3.2	3.9	7.1	7.8	16.986	35	Maize	
9	3-Nov-18	2.4	3.5	5.9	7.8	16.989	31	Maize	

Current lactation performance		Current Lactation No			2nd	Fat%	Total Solids	Environmental Temp (celcius)	Forage Type
Recording no	Recording Date DD-MM-YYYY	Milk yield (Kg)							
		Morning	Evening	Total					
1	3-Mar-18	8.9	8.5	17.4	6.1	14.912	32	Berssem	
2	3-Apr-18	8.2	8.7	16.9	6.4	15.278	34	Berssem	
3	3-May-18	7.5	8	15.5	6.5	15.4	40	Berssem	
4	3-Jun-18	7.1	7.4	14.5	6.5	15.4	41	Sorghum	
5	3-Jul-18	6.3	7	13.3	6.8	15.766	45	Sorghum	
6	3-Aug-18	5.7	6.2	11.9	7.1	16.132	44	Sorghum	
7	3-Sep-18	5.1	5.4	10.5	7.4	16.498	38	Sorghum	
8	3-Oct-18	4.2	5	9.2	7.8	16.986	35	Maize	
9	3-Nov-18	4.1	4.7	8.8	7.8	16.986	31	Maize	

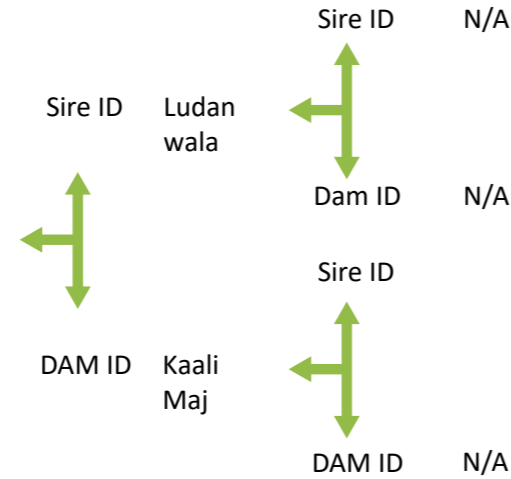
Performance History & Progeny Record

Performance History					Progeny Record		
Lactation no	Date of Calving MM-DD-YYYY	Date of Dry MM-DD-YYYY	Lactation Length	Milk yield (Lit.)	Calf ID	Sire ID	Sex
1	NA	NA	NA	12	B-17	Sikandar	Male
2	2-2-18	NA	NA	NA	B-40	Harni	Female
3	NA				NA	NA	Male

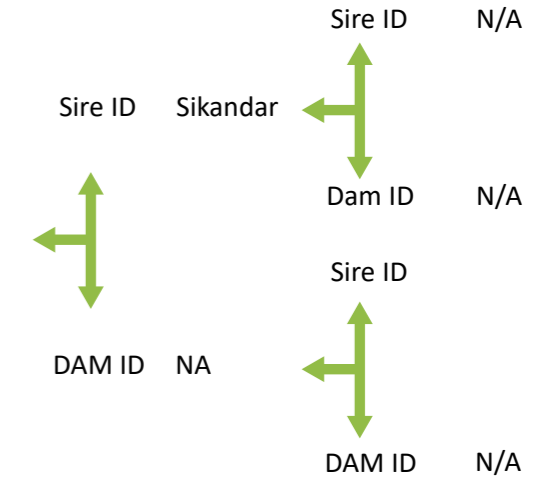
Performance History & Progeny Record

Performance History					Progeny Record		
Lactation no	Date of Calving MM-DD-YYYY	Date of Dry MM-DD-YYYY	Lactation Length	Milk yield (Lit.)	Calf ID	Sire ID	Sex
1	NA	NA	NA	18	B6	Sikandar	Female
2	NA	NA	NA	18	B23	sikandar	Female
3	1-14-18				B41	Harni wala	Male

International ID	Project ID	Buffalo Name	Breed	Date Of Birth
PKB-KS-002-026-084	Tag#84	Rani	Nili Ravi	N/A



International ID	Project ID	Buffalo Name	Breed	Date Of Birth
PKB-KS-002-026-085	Tag#85	Luddeni	Nili Ravi	N/A



Current lactation performance		Current Lactation No			6th			
Recording no	Recording Date DD-MM-YYYY	Milk yield (Kg)			Fat%	Total Solids	Environmental Temp (celcius)	Forage Type
		Morning	Evening	Total				
1	3-Mar-18	7.4	7.1	14.5	6.1	14.912	32	Berseem
2	3-Apr-18	7.2	7.5	14.7	6.4	15.278	34	Berseem
3	3-May-18	6.5	7	13.5	6.5	15.4	40	Berseem
4	3-Jun-18	6	6.9	12.9	6.5	15.4	41	Sorghum
5	3-Jul-18	5.3	6	11.3	6.8	15.766	45	Sorghum
6	3-Aug-18	5.1	5.5	10.6	7.1	15.888	41	Sorghum
7	3-Sep-18	4.9	5.1	10	7.4	16.132	38	Sorghum
8	3-Oct-18	4.2	5	9.2	7.8	16.986	35	Maize
9	3-Nov-18	4	4.7	8.7	7.8	16.989	31	Maize

Current lactation performance		Current Lactation No			1st			
Recording no	Recording Date DD-MM-YYYY	Milk yield (Kg)			Fat%	Total Solids	Environmental Temp (celcius)	Forage Type
		Morning	Evening	Total				
1	3-Mar-18	5.1	5.5	10.6	6.1	14.912	32	Berseem
2	3-Apr-18	5.5	6	11.5	6.4	15.278	34	Berseem
3	3-May-18	4.7	5.8	10.9	6.5	15.4	40	Berseem
4	3-Jun-18	4.3	5.4	10.1	6.5	15.4	41	Sorghum
5	3-Jul-18	4.1	4.9	9.2	6.8	15.766	45	Sorghum
6	3-Aug-18	3.5	4.7	8.8	7.1	15.888	41	Sorghum
7	3-Sep-18	3.2	2	5.5	7.4	16.132	38	Sorghum
8	3-Oct-18	4.2	4	8.2	7.8	16.986	35	Maize
9	3-Nov-18	4	0	4	7.8	16.989	31	Maize

Performance History & Progeny Record

Performance History					Progeny Record		
Lactation no	Date of Calving MM-DD-YYYY	Date of Dry MM-DD-YYYY	Lactation Length	Milk yield (Lit.)	Calf ID	Sire ID	Sex
1	NA	NA	NA	15	B7	Sikandar	Female
2	NA	NA	NA	16	B19	sikandar	Female
3	1-8-18				B43	Harni wala	Female

Performance History & Progeny Record

Performance History					Progeny Record		
Lactation no	Date of Calving MM-DD-YYYY	Date of Dry MM-DD-YYYY	Lactation Length	Milk yield (Lit.)	Calf ID	Sire ID	Sex
1	01-07-18	NA	NA	NA	B31	Sikandar	Female
2	NA	NA	NA	NA	NA	NA	NA
3	NA				NA	NA	NA

KS-027

Malik Hamid



Farmer Detail

Name	Malik Hamid
Address	Kot radha kission
Contact No	0344-4349110
CNIC	35102-0593129-9

Buffaloes Detail

Adults	Heifers	Calves	Bull	Total
18	5	12	1	36

Star Marked And changed colour is current practice of farmer from below Table

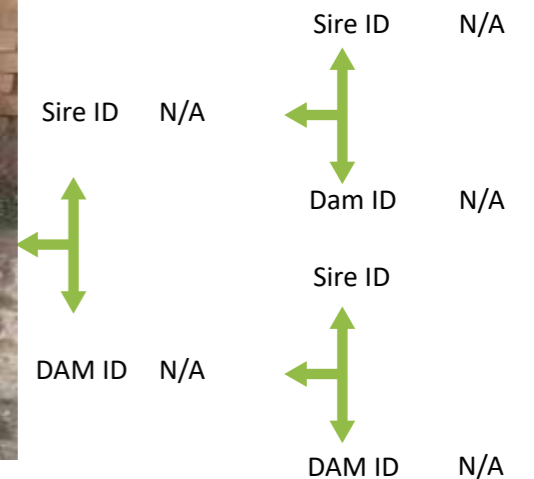
Feeding system

NFS	Necessary feeding system	Total mixed ration @3% Body wieght
HIFS	High input feeding system	Forage ad lib+ Silage/Hay+Concentrate+free water access
MIFS	Medium input feeding system	Forage ad lib+ occasional Concentrate+free water access
* LIFS	Low input feeding system	Forage ad lib+ water access on offering
PIFS	Poor input feeding system	Grazing from communal land+ Water access on offering

Housing System

Excellent	Loose stall,Proper feeding manger+Free access to pound+excellent Ventilation+Bedding in resting area
Good	Loose stall, proper feeding manger+Once a day access to pound+resting area+excellent ventilation
* Above average	Loose stall, proper feeding manger+resting area+good ventilation
Average	Tie stall+proper feeding manger+Resting area+good ventilation
Poor	Tie stall+poor ventilation+ No resting area

International ID	Project ID	Buffalo Name	Breed	Date Of Birth
PKB-KS-002-027-086	Tag#86	Taili	Nili Ravi	14-09-2014

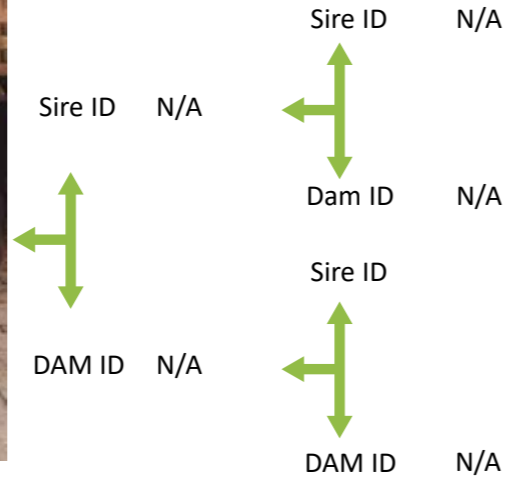


Recording no	Recording Date DD-MM-YYYY	Milk yield (Kg)			Fat%	Total Solids	Environmental Temp (celcius)	Forage Type
		Morning	Evening	Total				
1	4-Mar-18	9.2	9.4	18.6	6	14.79	31	Berssem/ suger cane
2	4-Apr-18	8.8	9	17.8	6.2	15.034	37	Berssem/ suger cane
3	4-May-18	8.1	7.4	15.5	6.1	14.912	41	Berssem/ suger cane
4	4-Jun-18	7.6	7.1	14.7	6.3	15.156	45	Sorghum
5	4-Jul-18	7.1	6.21	13.31	6.2	15.034	44	Sorghum
6	4-Aug-18	6.2	5.4	11.6	6.5	15.4	43	Sorghum
7	4-Sep-18	5.2	4.9	10.1	6.4	15.278	39	Maize
8	4-Oct-18	4.7	Nil	4.7	6.7	15.644	34	Maize
9	4-Nov-18	3.6	Nil	3.6	7.1	16.132	31	Maize

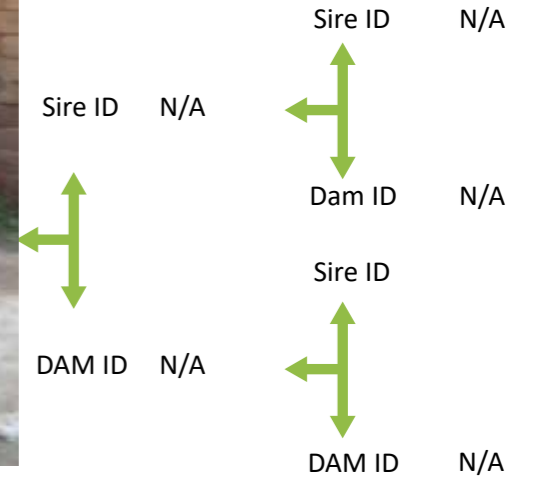
Performance History & Progeny Record

Performance History					Progeny Record		
Lactation no	Date of Calving MM-DD-YYYY	Date of Dry MM-DD-YYYY	Lactation Length	Milk yield (Lit.)	Calf ID	Sire ID	Sex
1	NA	NA	NA	18	NA	N/A	NA
2	NA	NA	NA	18	NA	Harni Wali	Female
3	2-9-18				B-14	NA	NA

International ID	Project ID	Buffalo Name	Breed	Date Of Birth
PKB-KS-002-027-087	Tag#87	Dhaili	Nili	NA



International ID	Project ID	Buffalo Name	Breed	Date Of Birth
PKB-KS-002-027-088	Tag#88	Bhoori	Nili Ravi	NA



Current lactation performance		Current Lactation No			3rd			
Recording no	Recording Date DD-MM-YYYY	Milk yield (Kg)			Fat%	Total Solids	Environmental Temp (celcius)	Forage Type
		Morning	Evening	Total				
1	4-Mar-18	7.3	7.4	14.7	6	14.912	31	Berseem
2	4-Apr-18	7.1	7.5	14.6	6.2	15.278	37	Berseem
3	4-May-18	6.81	7	13.81	6.1	15.4	41	Berseem
4	4-Jun-18	5.21	6.1	11.31	6.3	15.4	45	Sorghum
5	4-Jul-18	5	5.21	10.21	6.2	15.766	44	Sorghum
6	4-Aug-18	4.31	4.5	8.81	6.5	15.888	43	Sorghum
7	4-Sep-18	4.21	4.1	8.31	6.4	16.132	39	Maize
8	4-Oct-18	3.21	0	3.21	6.7	16.986	34	Maize
9	4-Nov-18	0	4.2	4.2	7.1	16.989	31	Maize

Current lactation performance		Current Lactation No			2nd			
Recording no	Recording Date DD-MM-YYYY	Milk yield (Kg)			Fat%	Total Solids	Environmental Temp (celcius)	Forage Type
		Morning	Evening	Total				
1	4-Mar-18	8	8.1	16.1	6	14.912	31	Berseem
2	4-Apr-18	7.4	7.9	15.3	6.2	15.278	37	Berseem
3	4-May-18	6.5	6.7	13.2	6.1	15.4	41	Berseem
4	4-Jun-18	6.1	6.5	12.6	6.3	15.4	45	Sorghum
5	4-Jul-18	5.13	5.2	10.33	6.2	15.766	44	Sorghum
6	4-Aug-18	4.7	4.3	9	6.5	15.888	43	Sorghum
7	4-Sep-18	0	5.5	5.5	6.4	16.132	39	Maize
8	4-Oct-18	2.1	4.3	6.4	6.7	16.986	34	Maize
9	4-Nov-18	0	3.2	3.2	7.1	16.989	31	Maize

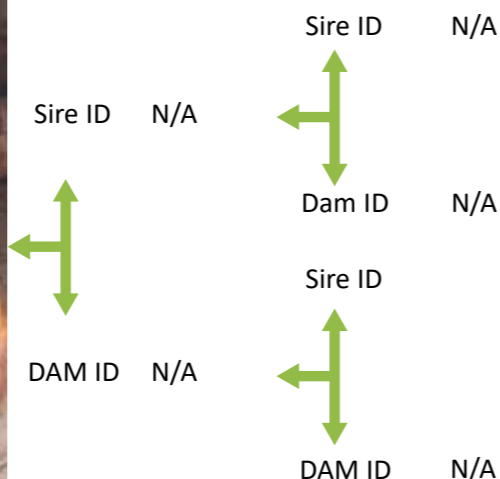
Performance History & Progeny Record

Performance History					Progeny Record		
Lactation no	Date of Calving MM-DD-YYYY	Date of Dry MM-DD-YYYY	Lactation Length	Milk yield (Lit.)	Calf ID	Sire ID	Sex
1	NA	NA	NA	11	NA	Sikandar	NA
2	NA	NA	NA	14	NA	NA	Male
3	12-28-17				B-6	NA	Male

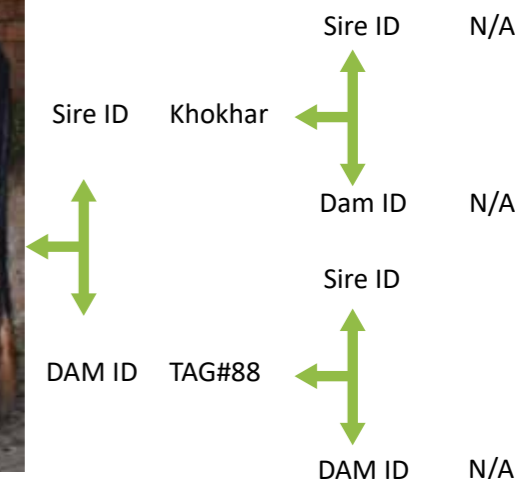
Performance History & Progeny Record

Performance History					Progeny Record		
Lactation no	Date of Calving MM-DD-YYYY	Date of Dry MM-DD-YYYY	Lactation Length	Milk yield (Lit.)	Calf ID	Sire ID	Sex
1	NA	NA	NA	NA	NA	Sikandar	NA
2	1-15-18	NA	NA	NA	NA	Sikandar	Female
3	NA				NA	NA	NA

International ID	Project ID	Buffalo Name	Breed	Date Of Birth
PKB-KS-002-027-089	Tag#89	Maroo	Nili Ravi	NA



International ID	Project ID	Buffalo Name	Breed	Date Of Birth
PKB-KS-002-027-090	Tag#90	Khuly Singh wli	Nili Ravi	NA



Current lactation performance		Current Lactation No			4th			
Recording no	Recording Date DD-MM-YYYY	Milk yield (Kg)			Fat%	Total Solids	Environmental Temp (celcius)	Forage Type
		Morning	Evening	Total				
1	4-Mar-18	6.2	6.4	12.6	6	14.912	31	Berseem
2	4-Apr-18	5.7	6	11.7	6.2	15.278	37	Berseem
3	4-May-18	5.1	5.7	10.8	6.1	15.4	41	Berseem
4	4-Jun-18	4.7	5.3	10	6.3	15.4	45	Sorghum
5	4-Jul-18	4.2	4	8.2	6.2	15.766	44	Sorghum
6	4-Aug-18	3.5	4.64	8.14	6.5	15.888	43	Sorghum
7	4-Sep-18	3.1	4.1	7.2	6.4	16.132	39	Maize
8	4-Oct-18	2.7	3.5	6.2	6.7	16.986	34	Maize
9	4-Nov-18	0	4.21	4.21	7.1	16.989	31	Maize

Current lactation performance		Current Lactation No			1st			
Recording no	Recording Date DD-MM-YYYY	Milk yield (Kg)			Fat%	Total Solids	Environmental Temp (celcius)	Forage Type
		Morning	Evening	Total				
1	4-Mar-18	8	8.1	16.1	6	14.912	31	Berseem
2	4-Apr-18	7.4	7.9	15.3	6.2	15.278	37	Berseem
3	4-May-18	6.5	6.7	13.2	6.1	15.4	41	Berseem
4	4-Jun-18	6.1	6.5	12.6	6.3	15.4	45	Sorghum
5	4-Jul-18	5.13	5.2	10.33	6.2	15.766	44	Sorghum
6	4-Aug-18	4.7	4.3	9	6.5	15.888	43	Sorghum
7	4-Sep-18	0	5.5	5.5	6.4	16.132	39	Maize
8	4-Oct-18	2.1	4.3	6.4	6.7	16.986	34	Maize
9	4-Nov-18	0	3.2	3.2	7.1	16.989	31	Maize

Performance History & Progeny Record

Performance History					Progeny Record		
Lactation no	Date of Calving MM-DD-YYYY	Date of Dry MM-DD-YYYY	Lactation Length	Milk yield (Lit.)	Calf ID	Sire ID	Sex
1	NA	NA	NA	12	NA	Asif wala	Female
2	NA	NA	NA	14	Richni	Sikandar	Female
3	12-24-17				Burra Kata	Bura Chota	Male

Performance History & Progeny Record

Performance History					Progeny Record		
Lactation no	Date of Calving MM-DD-YYYY	Date of Dry MM-DD-YYYY	Lactation Length	Milk yield (Lit.)	Calf ID	Sire ID	Sex
1	1-19-18	NA	NA	NA	NA	Harni wly	Male
2	NA	NA	NA	NA	NA	NA	NA
3	NA				NA	NA	NA

KS-028

Mahr Asif Siddique



Farmer Detail

Name	Mahr Asif Siddique
Address	Sabzi Mandi kot Radha Kishan, Kasur
Contact No	0303 4135 533
CNIC	35201-2323673-3

Buffaloes Detail

Adults	Heifers	Calves	Bull	Total
13	7	8	1	29

Star Marked And changed colour is current practice of farmer from below Table

Feeding system

NFS	Necessary feeding system	Total mixed ration @3% Body wieght
HIFS	High input feeding system	Forage ad lib+ Silage/Hay+Concentrate+free water access
* MIFS	Medium input feeding system	Forage ad lib+ occasional Concentrate+free water access
LIFS	Low input feeding system	Forage ad lib+ water access on offering
PIFS	Poor input feeding system	Grazing from communal land+ Water access on offering

Housing System

Excellent	Loose stall,Proper feeding manger+Free access to pound+excellent Ventilation+Bedding in resting area
Good	Loose stall, proper feeding manger+Once a day access to pound+resting area+excellent ventilation
* Above average	Loose stall, proper feeding manger+resting area+good ventilation
Average	Tie stall+proper feeding manger+Resting area+good ventilation
Poor	Tie stall+poor ventilation+ No resting area

International ID	Project ID	Buffalo Name	Breed	Date Of Birth
PKB-KS-002-028-093	Tag#93		Nili Ravi	N/A

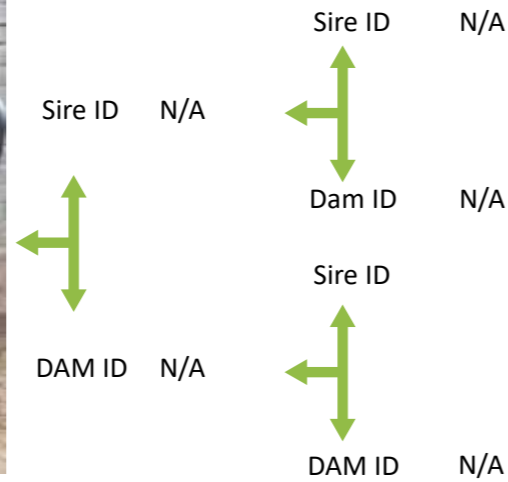


Recording no	Recording Date DD-MM-YYYY	Milk yield (Kg)			Fat%	Total Solids	Environmental Temp (celcius)	Forage Type
		Morning	Evening	Total				
1	17-Mar-18	6.21	6.17	12.38	6	14.912	31	Berseem
2	17-Apr-18	6.14	5.914	12.054	6.2	15.278	37	Berseem
3	17-May-18	5.715	5.184	10.899	6.1	15.4	41	Berseem
4	17-Jun-18	5.214	5	10.214	6.3	15.4	45	Sorghum
5	17-Jul-18	4.821	4.265	9.086	6.2	15.766	44	Sorghum
6	17-Aug-18	4.415	4.15	8.565	6.5	15.888	43	Sorghum
7	17-Sep-18	3.715	3.14	6.855	6.4	16.132	39	Maize
8	17-Oct-18	3.48	2.7	6.18	6.7	16.986	34	Maize
9	17-Nov-18	2.5	1.5	4	7.1	16.989	31	Maize

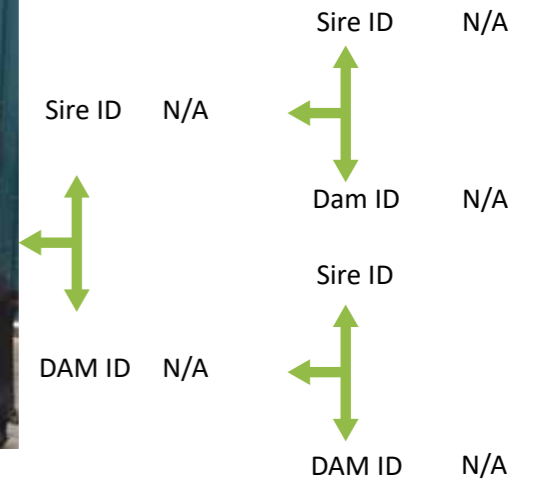
Performance History & Progeny Record

Performance History					Progeny Record		
Lactation no	Date of Calving MM-DD-YYYY	Date of Dry MM-DD-YYYY	Lactation Length	Milk yield (Lit.)	Calf ID	Sire ID	Sex
1	NA	NA	NA	NA	NA	NA	NA
2	NA	NA	NA	NA	NA	NA	NA
3	1/3/2018				NA	NA	Male

International ID	Project ID	Buffalo Name	Breed	Date Of Birth
PKB-KS-003-028-094	Tag#94		Nili Ravi	N/A



International ID	Project ID	Buffalo Name	Breed	Date Of Birth
PKB-KS-003-028-095	Tag#95		Nili Ravi	N/A



Current lactation performance		Current Lactation No			3rd			
Recording no	Recording Date DD-MM-YYYY	Milk yield (Kg)			Fat%	Total Solids	Environmental Temp (celcius)	Forage Type
		Morning	Evening	Total				
1	17-Mar-18	7.214	6.187	13.401	6	14.912	31	Berseem
2	17-Apr-18	6.514	6	12.514	6.2	15.278	37	Berseem
3	17-May-18	6.17	5.498	11.668	6.1	15.4	41	Berseem
4	17-Jun-18	5.78	5.124	10.994	6.3	15.4	45	Sorghum
5	17-Jul-18	5.514	4.924	10.438	6.2	15.766	44	Sorghum
6	17-Aug-18	5.17	4.395	9.565	6.5	15.888	43	Sorghum
7	17-Sep-18	4.625	4.198	8.823	6.4	16.132	39	Maize
8	17-Oct-18	4.198	3.814	8.012	6.7	16.986	34	Maize
9	17-Nov-18	3.71	1.524	5.234	7.1	16.989	31	Maize

Current lactation performance		Current Lactation No			2nd			
Recording no	Recording Date DD-MM-YYYY	Milk yield (Kg)			Fat%	Total Solids	Environmental Temp (celcius)	Forage Type
		Morning	Evening	Total				
1	17-Mar-18	7.405	6.3	13.705	6.1	14.912	32	Berssem
2	17-Apr-18	7.154	6.1	13.254	6.4	15.278	34	Berssem
3	17-May-18	6.524	6.5	13.024	6.5	15.4	40	Berssem
4	17-Jun-18	5.125	5.1	10.225	6.5	15.4	41	Sorghum
5	17-Jul-18	Nil	Nil	0	6.8	15.766	45	Sorghum
6	17-Aug-18	4.254	4.2	8.454	7.1	16.132	44	Sorghum
7	17-Sep-18	3.51	3.145	6.655	7.4	16.498	38	Sorghum
8	17-Oct-18	2.814	1.524	4.338	7.8	16.986	35	Maize
9	17-Nov-18	2.1	Nil	2.1	7.8	16.986	31	Maize

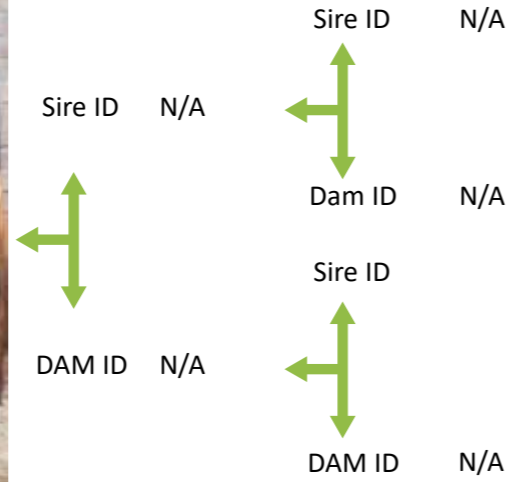
Performance History & Progeny Record

Performance History					Progeny Record		
Lactation no	Date of Calving MM-DD-YYYY	Date of Dry MM-DD-YYYY	Lactation Length	Milk yield (Lit.)	Calf ID	Sire ID	Sex
1	NA	NA	NA	NA	NA	NA	NA
2	NA	NA	NA	NA	NA	NA	NA
3	1-15--18				NA	NA	Female

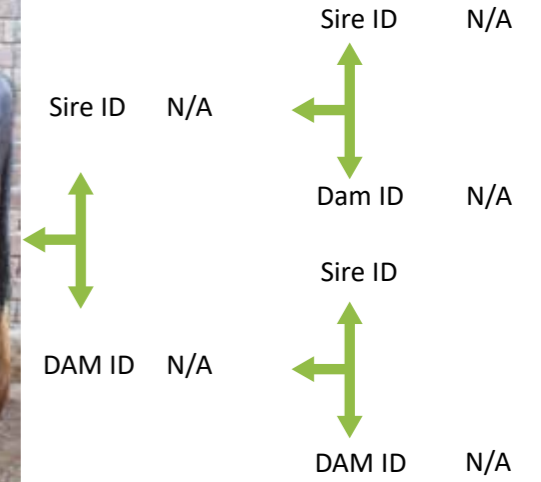
Performance History & Progeny Record

Performance History					Progeny Record		
Lactation no	Date of Calving MM-DD-YYYY	Date of Dry MM-DD-YYYY	Lactation Length	Milk yield (Lit.)	Calf ID	Sire ID	Sex
1	NA	NA	NA	NA	NA	NA	NA
2	NA	NA	NA	NA	NA	NA	NA
3	2-2-18				NA	Sikandar	Male

International ID	Project ID	Buffalo Name	Breed	Date Of Birth
PKB-KS-003-028-096	Tag#96		Nili Ravi	



International ID	Project ID	Buffalo Name	Breed	Date Of Birth
PKB-KS-003-028-097	Tag#97		Nili Ravi	



Current lactation performance		Current Lactation No			5th	Fat%	Total Solids	Environmental Temp (celcius)	Forage Type
Recording no	Recording Date DD-MM-YYYY	Milk yield (Kg)							
		Morning	Evening	Total					
1	17-Mar-18	6.514	7.145	13.659	6	14.912	31	Berseem	
2	17-Apr-18	6.14	6.814	12.954	6.2	15.278	37	Berseem	
3	17-May-18	5.924	6	11.924	6.1	15.4	41	Berseem	
4	17-Jun-18	4.35	5.417	9.767	6.3	15.4	45	Sorghum	
5	17-Jul-18	3.514	4.35	7.864	6.2	15.766	44	Sorghum	
6	17-Aug-18	2.847	3.415	6.262	6.5	15.888	43	Sorghum	
7	17-Sep-18	3.41	3.187	6.597	6.4	16.132	39	Maize	
8	17-Oct-18	3.514	2.51	6.024	6.7	16.986	34	Maize	
9	17-Nov-18	2.41	1.89	4.3	7.1	16.989	31	Maize	

Current lactation performance		Current Lactation No			3rd	Fat%	Total Solids	Environmental Temp (celcius)	Forage Type
Recording no	Recording Date DD-MM-YYYY	Milk yield (Kg)							
		Morning	Evening	Total					
1	17-Mar-18	6.424	6.21	13.659	6	14.912	31	Berseem	
2	17-Apr-18	6.15	5.925	12.075	6.2	15.278	37	Berseem	
3	17-May-18	5.712	5.81	11.522	6.1	15.4	41	Berseem	
4	17-Jun-18	5.418	5	10.418	6.3	15.4	45	Sorghum	
5	17-Jul-18	4.824	0	4.824	6.2	15.766	44	Sorghum	
6	17-Aug-18	4.32	3.21	7.53	6.5	15.888	43	Sorghum	
7	17-Sep-18	4.15	0	4.15	6.4	16.132	39	Maize	
8	17-Oct-18	3.748	1.5	5.248	6.7	16.986	34	Maize	
9	17-Nov-18	2.8	0	2.8	7.1	16.989	31	Maize	

Performance History & Progeny Record

Performance History					Progeny Record		
Lactation no	Date of Calving MM-DD-YYYY	Date of Dry MM-DD-YYYY	Lactation Length	Milk yield (Lit.)	Calf ID	Sire ID	Sex
1	NA	NA	NA	NA	NA	NA	NA
2	NA	NA	NA	NA	NA	NA	NA
3	12-28-18				NA	Bashir	Male

Performance History & Progeny Record

Performance History					Progeny Record		
Lactation no	Date of Calving MM-DD-YYYY	Date of Dry MM-DD-YYYY	Lactation Length	Milk yield (Lit.)	Calf ID	Sire ID	Sex
1	NA	NA	NA	NA	NA	NA	NA
2	NA	NA	NA	NA	NA	NA	NA
3	2-15-18				NA	Jugnoo	Female

LHR-029

Ch. M. Atif



Farmer Detail

Name	Ch. M. Atif
Address	Barki , Lahore
Contact No	0300-4223333
CNIC	35201-5768632-3

Buffaloes Detail

Adults	Heifers	Calves	Bull	Total
30	14	22	1	67

Star Marked And changed colour is current practice of farmer from below Table

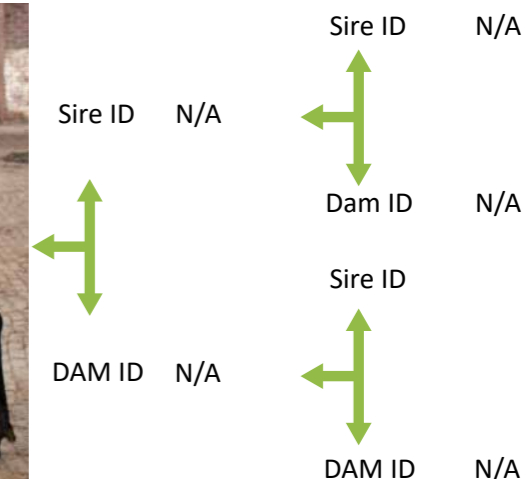
Feeding system

NFS	Necessary feeding system	Total mixed ration @3% Body wieght
* HIFS	High input feeding system	Forage ad lib+ Silage/Hay+Concentrate+free water access
MIFS	Medium input feeding system	Forage ad lib+ occasional Concentrate+free water access
LIFS	Low input feeding system	Forage ad lib+ water access on offering
PIFS	Poor input feeding system	Grazing from communal land+ Water access on offering

Housing System

Excellent	Loose stall,Proper feeding manger+Free access to pound+excellent Ventilation+Bedding in resting area
* Good	Loose stall, proper feeding manger+Once a day access to pound+resting area+excellent ventilation
Above average	Loose stall, proper feeding manger+resting area+good ventilation
Average	Tie stall+proper feeding manger+Resting area+good ventilation
Poor	Tie stall+poor ventilation+ No resting area

International ID	Project ID	Buffalo Name	Breed	Date Of Birth
PKB-LHR-001-029-191	Tag#191	Chapi	Nili Ravi	N/A

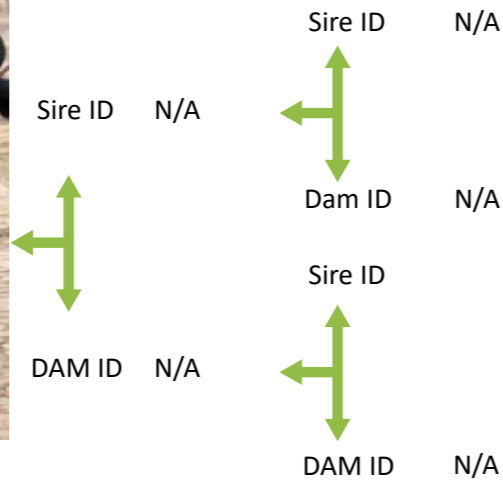


Recording no	Recording Date DD-MM-YYYY	Milk yield (Kg)			Fat%	Total Solids	Environmental Temp (celcius)	Forage Type
		Morning	Evening	Total				
1	25-Mar-18	7.25	8.01	15.26	6.2	15.034	32	Berseem
2	25-Apr-18	8.2	8.9	17.1	6.3	15.156	40	Berseem
3	25-May-18	7.3	8.4	15.7	6.3	15.156	42	Silage
4	25-Jun-18	7	8.3	15.3	6.4	15.278	45	Silage
5	25-Jul-18	7.3	6.5	13.8	6.4	15.278	44	Silage
6	25-Aug-18	5.35	5.33	10.68	6.4	15.278	38	Sorghum
7	25-Sep-18	5.3	4.9	10.2	6.7	15.644	41	Sorghum
8	25-Oct-18	3.1	4	7.1	6.7	15.644	36	Maize
9	25-Nov-18	3	3.5	6.5	6.9	15.888	35	Silage

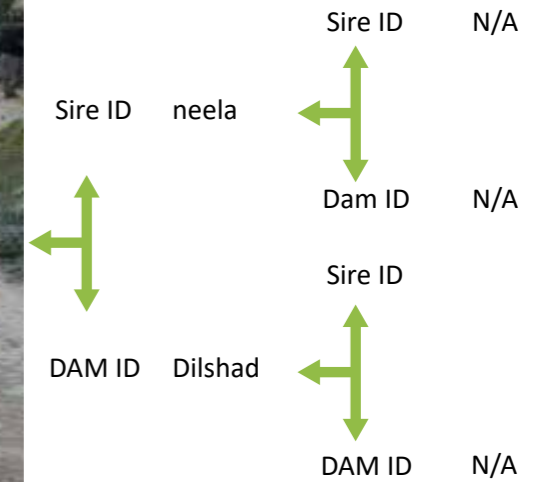
Performance History & Progeny Record

Performance History					Progeny Record		
Lactation no	Date of Calving MM-DD-YYYY	Date of Dry MM-DD-YYYY	Lactation Length	Milk yield (Lit.)	Calf ID	Sire ID	Sex
1	N/A	N/A	N/A	N/A	N/A	N/A	N/A
2	1-21-18				B-9	mastana	Female
3							

International ID	Project ID	Buffalo Name	Breed	Date Of Birth
PKB-LHR-001-029-192	Tag#192	Malka	Nili-Ravi	N/A



International ID	Project ID	Buffalo Name	Breed	Date Of Birth
PKB-LHR-001-029-193	Tag#193	Balochi	Nili-Ravi	N/A



Current lactation performance		Current Lactation No			3rd			
Recording no	Recording Date DD-MM-YYYY	Milk yield (Kg)			Fat%	Total Solids	Environmental Temp (celcius)	Forage Type
		Morning	Evening	Total				
1	25-Mar-18	9.2	8.01	17.21	6.2	15.034	32	Berseem
2	25-Apr-18	8.7	8.9	17.6	6.3	15.156	40	Berseem
3	25-May-18	8.1	8.4	16.5	6.3	15.156	42	Silage
4	25-Jun-18	8	7.9	15.9	6.4	15.278	45	Silage
5	25-Jul-18	7.23	7.05	14.28	6.4	15.278	44	Silage
6	25-Aug-18	5.33	5.9	11.23	6.4	15.278	38	Sorghum
7	25-Sep-18	4.9	3.7	8.6	6.7	15.644	41	Sorghum
8	25-Oct-18	4	4	8	6.7	15.644	36	Maize
9	25-Nov-18	3.5	2	5.5	6.9	15.888	35	Silage

Current lactation performance		Current Lactation No			2nd			
Recording no	Recording Date DD-MM-YYYY	Milk yield (Kg)			Fat%	Total Solids	Environmental Temp (celcius)	Forage Type
		Morning	Evening	Total				
1	25-Mar-18	6.6	7.3	13.9	6.2	15.034	32	Berseem
2	25-Apr-18	7.2	7.582	14.782	6.3	15.156	40	Berseem
3	25-May-18	8.8	7.7	16.5	6.3	15.156	42	Silage
4	25-Jun-18	8.1	7.8	15.9	6.4	15.278	45	Silage
5	25-Jul-18	8.2	8.35	16.55	6.4	15.278	44	Silage
6	25-Aug-18	5.35	4.9	10.25	6.4	15.278	38	Sorghum
7	25-Sep-18	5.3	3.5	8.8	6.7	15.644	41	Sorghum
8	25-Oct-18	3.1	3	6.1	6.7	15.644	36	Maize
9	25-Nov-18	3	3	6	6.9	15.888	35	Silage

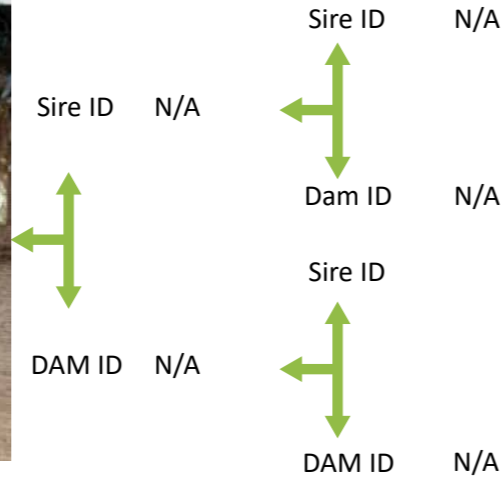
Performance History & Progeny Record

Performance History					Progeny Record		
Lactation no	Date of Calving MM-DD-YYYY	Date of Dry MM-DD-YYYY	Lactation Length	Milk yield (Lit.)	Calf ID	Sire ID	Sex
1	N/A	N/A	N/A	N/A	N/A	N/A	N/A
2	12-18-17					N/A	Female
3							

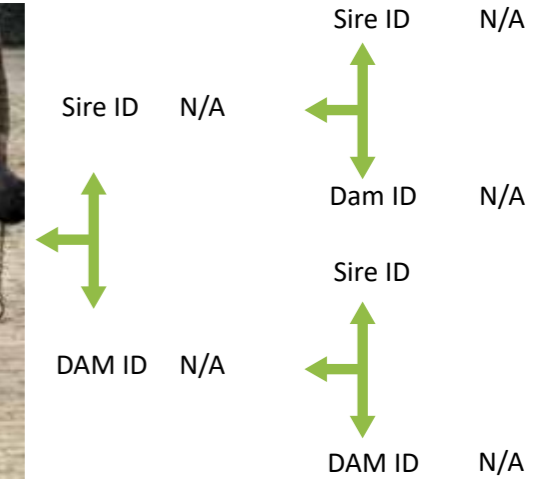
Performance History & Progeny Record

Performance History					Progeny Record		
Lactation no	Date of Calving MM-DD-YYYY	Date of Dry MM-DD-YYYY	Lactation Length	Milk yield (Lit.)	Calf ID	Sire ID	Sex
1	N/A	N/A	N/A	N/A	N/A	N/A	N/A
2	1-22-18					N/A	Male
3							

International ID	Project ID	Buffalo Name	Breed	Date Of Birth
PKB-LHR-001-029-194	Tag#194	Boori	Nili Ravi	N/A



International ID	Project ID	Buffalo Name	Breed	Date Of Birth
PKB-LHR-001-029-195	Tag#195		Nili Ravi	N/A



Current lactation performance		Current Lactation No			2nd			
Recording no	Recording Date DD-MM-YYYY	Milk yield (Kg)			Fat%	Total Solids	Environmental Temp (celcius)	Forage Type
		Morning	Evening	Total				
1	25-Mar-18	6.6	6.9	13.5	6.2	15.034	32	Berseem
2	25-Apr-18	7.2	7.2	14.4	6.3	15.156	40	Berseem
3	25-May-18	8.8	8.2	17	6.3	15.156	42	Silage
4	25-Jun-18	8.1	7.67	15.77	6.4	15.278	45	Silage
5	25-Jul-18	7.23	7.3	14.53	6.4	15.278	44	Silage
6	25-Aug-18	4.05	5.35	9.4	6.4	15.278	38	Sorghum
7	25-Sep-18	5.85	5.3	11.15	6.7	15.644	41	Sorghum
8	25-Oct-18	4.27	3.1	7.37	6.7	15.644	36	Maize
9	25-Nov-18	4	3	7	6.9	15.888	35	Silage

Current lactation performance		Current Lactation No			2nd			
Recording no	Recording Date DD-MM-YYYY	Milk yield (Kg)			Fat%	Total Solids	Environmental Temp (celcius)	Forage Type
		Morning	Evening	Total				
1	25-Mar-18	6.9	7.8	14.7	6.2	15.034	32	Berseem
2	25-Apr-18	7.5	7	14.5	6.3	15.156	40	Berseem
3	25-May-18	6.9	7.2	14.1	6.3	15.156	42	Silage
4	25-Jun-18	5.9	5.4	11.3	6.4	15.278	45	Silage
5	25-Jul-18	5.5	5.1	10.6	6.4	15.278	44	Silage
6	25-Aug-18	5.45	3.7	9.15	6.4	15.278	38	Sorghum
7	25-Sep-18	4.35	3.4	7.75	6.7	15.644	41	Sorghum
8	25-Oct-18	4	3.75	7.75	6.7	15.644	36	Maize
9	25-Nov-18	3.5	3	6.5	6.9	15.888	35	Silage

Performance History & Progeny Record

Performance History					Progeny Record		
Lactation no	Date of Calving MM-DD-YYYY	Date of Dry MM-DD-YYYY	Lactation Length	Milk yield (Lit.)	Calf ID	Sire ID	Sex
1	N/A	N/A	N/A	N/A	N/A	N/A	N/A
2	2-1-18				B-13	N/A	Male
3							

Performance History & Progeny Record

Performance History					Progeny Record		
Lactation no	Date of Calving MM-DD-YYYY	Date of Dry MM-DD-YYYY	Lactation Length	Milk yield (Lit.)	Calf ID	Sire ID	Sex
1	N/A	N/A	N/A	N/A	N/A	N/A	N/A
2	1-02-18					N/A	Female
3							

KS-030

Malik Ghulam Mustafa



Farmer Detail

Name	Ghulam Mustafa
Address	Turkwind Kot radha kishen kasur
Contact No	0300-4909908
CNIC	35102-2323673-3

Buffaloes Detail

Adults	Heifers	Calves	Bull	Total
15	7	5	1	28

Star Marked And changed colour is current practice of farmer from below Table

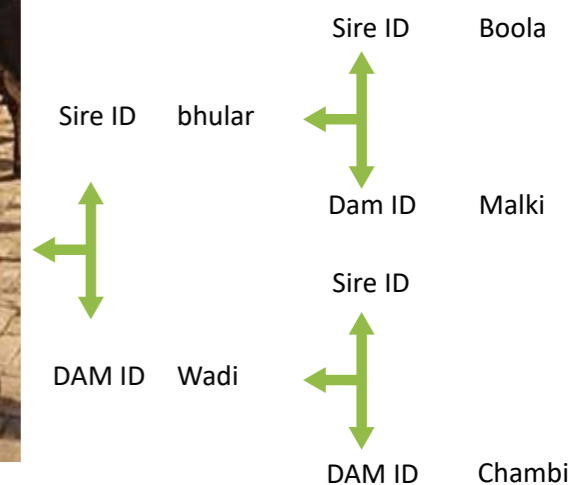
Feeding system

NFS	Necessary feeding system	Total mixed ration @3% Body wieght
HIFS	High input feeding system	Forage ad lib+ Silage/Hay+Concentrate+free water access
MIFS	Medium input feeding system	Forage ad lib+ occasional Concentrate+free water access
* LIFS	Low input feeding system	Forage ad lib+ water access on offering
PIFS	Poor input feeding system	Grazing from communal land+ Water access on offering

Housing System

Excellent	Loose stall,Proper feeding manger+Free access to pound+excellent Ventilation+Bedding in resting area
Good	Loose stall, proper feeding manger+Once a day access to pound+resting area+excellent ventilation
* Above average	Loose stall, proper feeding manger+resting area+good ventilation
Average	Tie stall+proper feeding manger+Resting area+good ventilation
Poor	Tie stall+poor ventilation+ No resting area

International ID	Project ID	Buffalo Name	Breed	Date Of Birth
PKB-KS-002-030-070	Tag#70	Meeni	Nili Ravi	NA

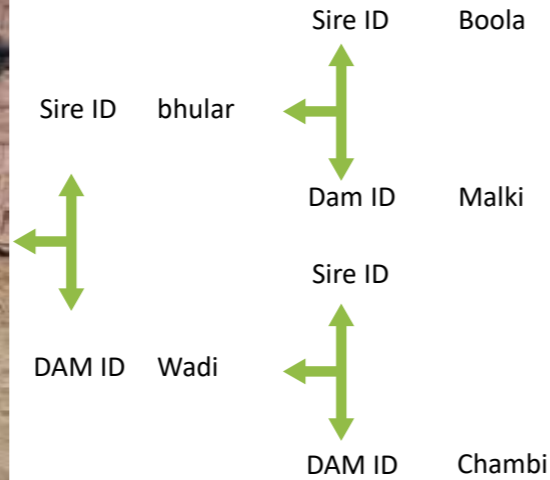


Recording no	Recording Date DD-MM-YYYY	Milk yield (Kg)			Fat%	Total Solids	Environmental Temp (celcius)	Forage Type
		Morning	Evening	Total				
1	5-Mar-18	7.2	6.5	13.7	6.1	14.912	33	Berseem
2	5-Apr-18	6.5	6	12.5	5.7	14.912	38	Berseem
3	5-May-18	5.3	5.9	11.2	6.2	15.156	41	Berseem
4	5-Jun-18	5.1	5.6	10.7	6.2	15.278	44	Sorghum
5	5-Jul-18	4.7	5	9.7	6.4	15.522	46	Sorghum
6	5-Aug-18	4.1	4.7	8.8	6.3	15.522	43	Sorghum
7	5-Sep-18	3.7	4.1	7.8	6.5	15.644	39	Sorghum
8	5-Oct-18	3.1	0	3.1	6.8	15.644	37	Maize
9	5-Nov-18	0	4.2	4.2	7	15.888	33	Maize

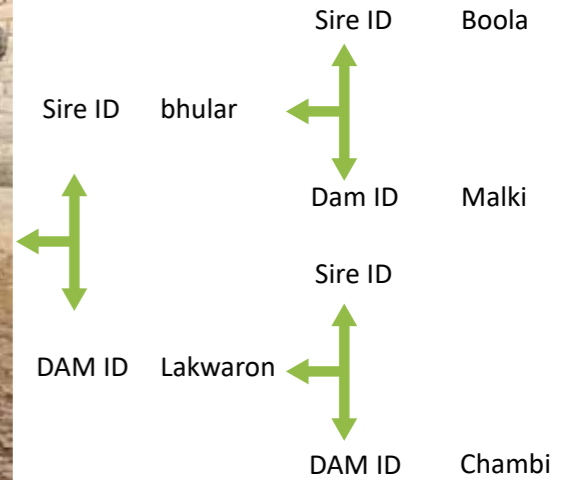
Performance History & Progeny Record

Performance History					Progeny Record		
Lactation no	Date of Calving MM-DD-YYYY	Date of Dry MM-DD-YYYY	Lactation Length	Milk yield (Lit.)	Calf ID	Sire ID	Sex
1	NA	NA	NA	NA	NA	NA	NA
2	NA	NA	NA	NA	NA	NA	NA
3	02-01-2018				NA	B-50	Male

International ID	Project ID	Buffalo Name	Breed	Date Of Birth
PKB-KS-002-030-071	Tag#71	Balli Boli	Nili Ravi	NA



International ID	Project ID	Buffalo Name	Breed	Date Of Birth
PKB-KS-002-030-072	Tag#72	Gull Bahar	Nili Ravi	NA



Current lactation performance		Current Lactation No			4th	Total Solids	Environmental Temp (celcius)	Forage Type
Recording no	Recording Date DD-MM-YYYY	Milk yield (Kg)			Fat%			
		Morning	Evening	Total				
1	5-Mar-18	6.5	5.412	11.912	6.1	14.912	33	Berseem
2	5-Apr-18	6.1	6.12	12.22	5.7	14.912	38	Berseem
3	5-May-18	5.8	6	11.8	6.2	15.156	41	Berseem
4	5-Jun-18	5.3	5.12	10.42	6.2	15.278	44	Sorghum
5	5-Jul-18	4.921	4.712	9.633	6.4	15.522	46	Sorghum
6	5-Aug-18	4.63	4.13	8.76	6.3	15.522	43	Sorghum
7	5-Sep-18	4.1	3.911	8.011	6.5	15.644	39	Sorghum
8	5-Oct-18	3.81	0	3.81	6.8	15.644	37	Maize
9	5-Nov-18	2.612	0	2.12	7	15.888	33	Maize

Current lactation performance		Current Lactation No			3rd	Total Solids	Environmental Temp (celcius)	Forage Type
Recording no	Recording Date DD-MM-YYYY	Milk yield (Kg)			Fat%			
		Morning	Evening	Total				
1	5-Mar-18	7.4	7.122	14.522	6.1	14.912	33	Berseem
2	5-Apr-18	7.212	6.821	14.033	5.7	14.912	38	Berseem
3	5-May-18	6.512	6.951	13.463	6.2	15.156	41	Berseem
4	5-Jun-18	6.11	6.521	12.631	6.2	15.278	44	Sorghum
5	5-Jul-18	5.411	5.733	11.144	6.4	15.522	46	Sorghum
6	5-Aug-18	5.211	4.92	10.131	6.3	15.522	43	Sorghum
7	5-Sep-18	4.912	4.15	9.062	6.5	15.644	39	Sorghum
8	5-Oct-18	4.14	3.211	7.351	6.8	15.644	37	Maize
9	5-Nov-18	2.61	0	2.61	7	15.888	33	Maize

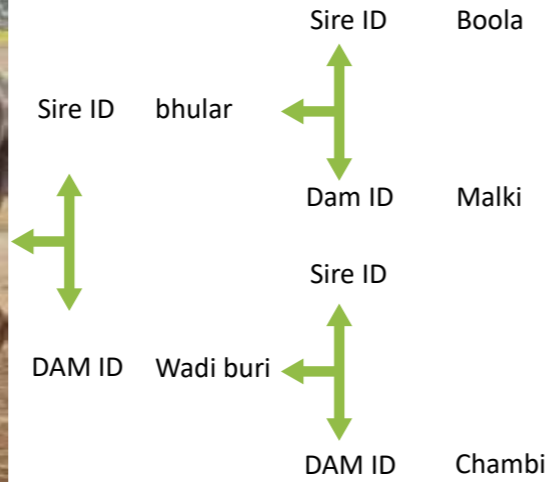
Performance History & Progeny Record

Performance History					Progeny Record		
Lactation no	Date of Calving MM-DD-YYYY	Date of Dry MM-DD-YYYY	Lactation Length	Milk yield (Lit.)	Calf ID	Sire ID	Sex
1	NA	NA	NA	NA	NA	NA	NA
2	NA	NA	NA	NA	NA	NA	NA
3	12-26-17				B-54	Watwoon	Female

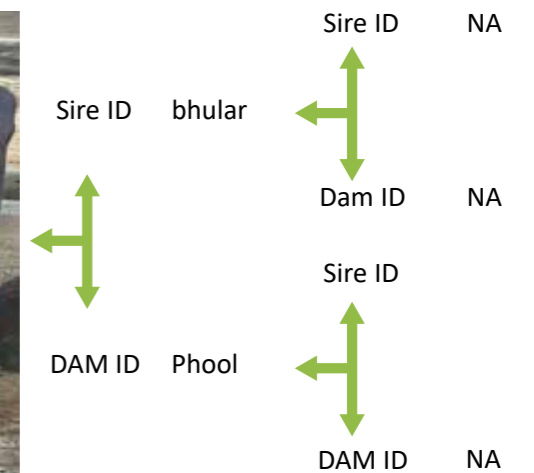
Performance History & Progeny Record

Performance History					Progeny Record		
Lactation no	Date of Calving MM-DD-YYYY	Date of Dry MM-DD-YYYY	Lactation Length	Milk yield (Lit.)	Calf ID	Sire ID	Sex
1	NA	NA	NA	NA	NA	NA	NA
2	11-8-16	NA	NA	NA	BK-15	QB-1018	Male
3	1-22-18				BK-55	QB-1022	Male

International ID	Project ID	Buffalo Name	Breed	Date Of Birth
PKB-KS-002-030-148	Tag#148	Gull Bahar	Nili Ravi	NA



International ID	Project ID	Buffalo Name	Breed	Date Of Birth
PKB-KS-002-030-262	Tag#262	Wadi Balli	Nili	NA



Current lactation performance		Current Lactation No			3rd	Total Solids	Environmental Temp (celcius)	Forage Type
Recording no	Recording Date DD-MM-YYYY	Milk yield (Kg)			Fat%			
		Morning	Evening	Total				
1	5-Mar-18	7.8	7.412	15.212	6.1	14.912	33	Berseem
2	5-Apr-18	7.123	7.592	14.715	5.7	14.912	38	Berseem
3	5-May-18	6.932	7	13.932	6.2	15.156	41	Berseem
4	5-Jun-18	6.214	6.325	12.539	6.2	15.278	44	Sorghum
5	5-Jul-18	6	5.762	11.762	6.4	15.522	46	Sorghum
6	5-Aug-18	5.711	5.12	10.831	6.3	15.522	43	Sorghum
7	5-Sep-18	5.123	4.921	10.044	6.5	15.644	39	Sorghum
8	5-Oct-18	4.721	0	4.721	6.8	15.644	37	Maize
9	5-Nov-18	3.621	4.32	7.941	7	15.888	33	Maize

Current lactation performance		Current Lactation No			2nd	Total Solids	Environmental Temp (celcius)	Forage Type
Recording no	Recording Date DD-MM-YYYY	Milk yield (Kg)			Fat%			
		Morning	Evening	Total				
1	5-Mar-18	8.421	8.922	17.343	6.1	14.912	33	Berseem
2	5-Apr-18	7.741	8.244	15.985	5.7	14.912	38	Berseem
3	5-May-18	6.321	7.412	13.733	6.2	15.156	41	Berseem
4	5-Jun-18	5.921	5.84	11.761	6.2	15.278	44	Sorghum
5	5-Jul-18	4.82	4.231	9.051	6.4	15.522	46	Sorghum
6	5-Aug-18	4.933	4.126	9.059	6.3	15.522	43	Sorghum
7	5-Sep-18	4.11	3.521	7.631	6.5	15.644	39	Sorghum
8	5-Oct-18	3.751	3.114	6.865	6.8	15.644	37	Maize
9	5-Nov-18	2.11	1.51	3.62	7	15.888	33	Maize

Performance History & Progeny Record

Performance History					Progeny Record		
Lactation no	Date of Calving MM-DD-YYYY	Date of Dry MM-DD-YYYY	Lactation Length	Milk yield (Lit.)	Calf ID	Sire ID	Sex
1	NA	NA	NA	12	NA	Haji wala	Female
2	6-15-16	NA	NA	15	BK-29	Haji wala	Female
3	1-14-18				BK-45	QB-1022	Female

Performance History & Progeny Record

Performance History					Progeny Record		
Lactation no	Date of Calving MM-DD-YYYY	Date of Dry MM-DD-YYYY	Lactation Length	Milk yield (Lit.)	Calf ID	Sire ID	Sex
1	NA	NA	NA	14	NA	Haji wala	Male
2	11-16-16	NA	NA	17	BK-37	Haji wala	Male
3	1-1-18				BK-54	Tudiyar	Female

KS-031

Malik Abbas Khokhar



Farmer Detail

Name	Malik Abbas Khokhar
Address	Baig pur Khudian Dist. Kasur
Contact No	0301-4495677
CNIC	35101-6367385-3

Buffaloes Detail

Adults	Heifers	Calves	Bull	Total
14	4	7	1	26

Star Marked And changed colour is current practice of farmer from below Table

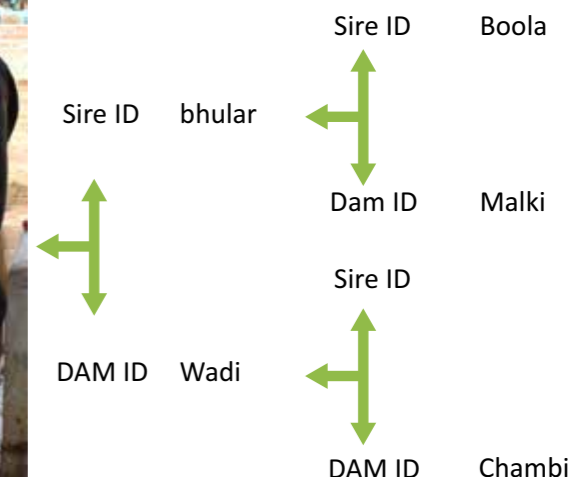
Feeding system

NFS	Necessary feeding system	Total mixed ration @3% Body wieght
HIFS	High input feeding system	Forage ad lib+ Silage/Hay+Concentrate+free water access
* MIFS	Medium input feeding system	Forage ad lib+ occasional Concentrate+free water access
LIFS	Low input feeding system	Forage ad lib+ water access on offering
PIFS	Poor input feeding system	Grazing from communal land+ Water access on offering

Housing System

Excellent	Loose stall,Proper feeding manger+Free access to pound+excellent Ventilation+Bedding in resting area
* Good	Loose stall, proper feeding manger+Once a day access to pound+resting area+excellent ventilation
Above average	Loose stall, proper feeding manger+resting area+good ventilation
Average	Tie stall+proper feeding manger+Resting area+good ventilation
Poor	Tie stall+poor ventilation+ No resting area

International ID	Project ID	Buffalo Name	Breed	Date Of Birth
PKB-KS-002-031-186	Tag#186	Bullbul	Nili	NA

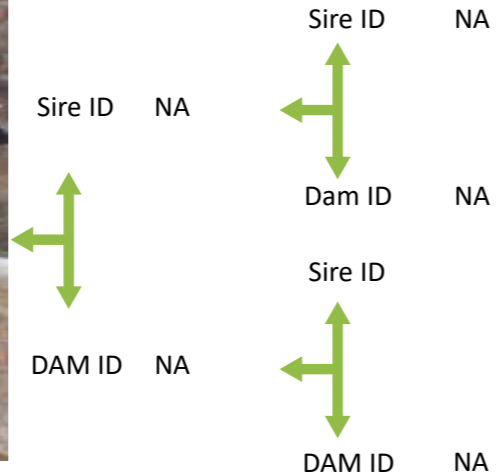


Recording no	Recording Date DD-MM-YYYY	Milk yield (Kg)			Fat%	Total Solids	Environmental Temp (celcius)	Forage Type
		Morning	Evening	Total				
1	6-Mar-18	7.12	7.4	14.52	6.1	14.912	33	Berseem
2	6-Apr-18	6.921	7.15	14.071	6.1	14.912	35	Berseem
3	6-May-18	5.71	6.458	12.168	6.3	15.156	41	Berseem
4	6-Jun-18	5.14	5.26	10.4	6.4	15.278	46	Sorghum
5	6-Jul-18	4.932	5	9.932	6.7	15.522	44	Sorghum
6	6-Aug-18	4.325	4.789	9.114	6.8	15.522	41	Sorghum
7	6-Sep-18	4.25	4	8.25	7.2	15.644	38	Sorghum
8	6-Oct-18	3.87	0	3.87	7.3	15.644	37	Maize
9	6-Nov-18	2.78	0	2.78	7.4	15.888	34	Maize

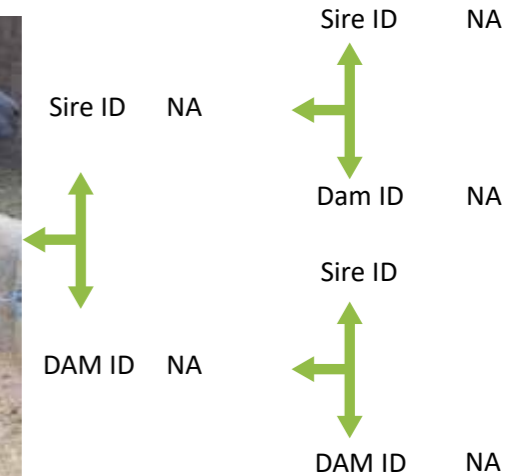
Performance History & Progeny Record

Performance History					Progeny Record		
Lactation no	Date of Calving MM-DD-YYYY	Date of Dry MM-DD-YYYY	Lactation Length	Milk yield (Lit.)	Calf ID	Sire ID	Sex
1	1-28-18	NA	NA	NA	Balla	Jugnoo	Male
2	NA	NA	NA	NA	NA	NA	NA
3	NA				NA	NA	NA

International ID	Project ID	Buffalo Name	Breed	Date Of Birth
PKB-KS-002-031-187	Tag#187	Uchy singh wli	Nili Ravi	NA



International ID	Project ID	Buffalo Name	Breed	Date Of Birth
PKB-KS-002-031-188	Tag#188	Maran wali	Nili Ravi	NA



Current lactation performance		Current Lactation No			2nd			
Recording no	Recording Date DD-MM-YYYY	Milk yield (Kg)			Fat%	Total Solids	Environmental Temp (celcius)	Forage Type
		Morning	Evening	Total				
1	6-Mar-18	8.25	8.215	16.465	6.1	14.912	33	Berseem
2	6-Apr-18	7.715	7.15	14.865	6.1	14.912	35	Berseem
3	6-May-18	6.45	0	6.514	6.3	15.156	41	Berseem
4	6-Jun-18	5.925	5.48	11.93	6.4	15.278	46	Sorghum
5	6-Jul-18	4.625	4.921	10.846	6.7	15.522	44	Sorghum
6	6-Aug-18	4.15	5	9.625	6.8	15.522	41	Sorghum
7	6-Sep-18	3.87	4.412	8.562	7.2	15.644	38	Sorghum
8	6-Oct-18	3.87	4.25	8.12	7.3	15.644	37	Maize
9	6-Nov-18	3.7	3.2	6.9	7.4	15.888	34	Maize

Current lactation performance		Current Lactation No			5th			
Recording no	Recording Date DD-MM-YYYY	Milk yield (Kg)			Fat%	Total Solids	Environmental Temp (celcius)	Forage Type
		Morning	Evening	Total				
1	6-Mar-18	6.5	6.925	13.425	6.1	14.912	33	Berseem
2	6-Apr-18	6.12	7	13.12	6.1	14.912	35	Berseem
3	6-May-18	5.715	5.48	11.195	6.3	15.156	41	Berseem
4	6-Jun-18	5.325	5	10.325	6.4	15.278	46	Sorghum
5	6-Jul-18	0	5	5	6.7	15.522	44	Sorghum
6	6-Aug-18	4.932	8.48	13.25	6.8	15.522	41	Sorghum
7	6-Sep-18	4.25	4.26	8.51	7.2	15.644	38	Sorghum
8	6-Oct-18	4.15	3.95	8.1	7.3	15.644	37	Maize
9	6-Nov-18	3.521	3.8	7.321	7.4	15.888	34	Maize

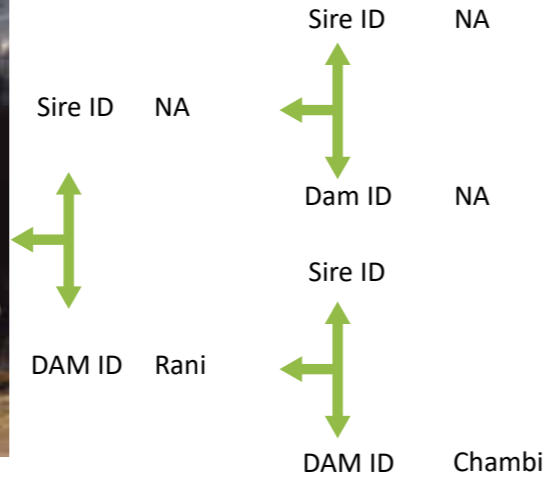
Performance History & Progeny Record

Performance History					Progeny Record		
Lactation no	Date of Calving MM-DD-YYYY	Date of Dry MM-DD-YYYY	Lactation Length	Milk yield (Lit.)	Calf ID	Sire ID	Sex
1	NA	NA	NA	NA	NA	Jugn00	NA
2	12-14-17	NA	NA	NA	Bura	NA	NA
3	NA				NA	NA	NA

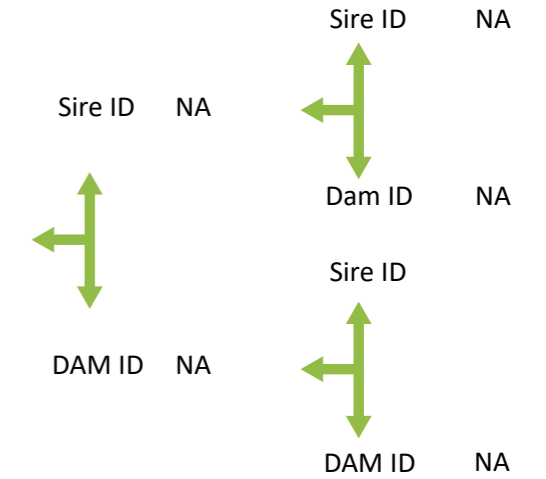
Performance History & Progeny Record

Performance History					Progeny Record		
Lactation no	Date of Calving MM-DD-YYYY	Date of Dry MM-DD-YYYY	Lactation Length	Milk yield (Lit.)	Calf ID	Sire ID	Sex
1	1-28-18	NA	NA	NA	Balla	Jugn00	Male
2	NA	NA	NA	NA	NA	NA	NA
3	NA				NA	NA	NA

International ID	Project ID	Buffalo Name	Breed	Date Of Birth
PKB-KS-002-031-189	Tag#189	Chiri	Nili	NA



International ID	Project ID	Buffalo Name	Breed	Date Of Birth
PKB-KS-002-031-190	Tag#190	Kundi	Nili Ravi	NA



Current lactation performance		Current Lactation No			3rd			
Recording no	Recording Date DD-MM-YYYY	Milk yield (Kg)			Fat%	Total Solids	Environmental Temp (celcius)	Forage Type
		Morning	Evening	Total				
1	6-Mar-18	7.12	7.4	14.52	6.1	14.912	33	Berseem
2	6-Apr-18	6.921	7.15	14.071	6.1	14.912	35	Berseem
3	6-May-18	5.71	6.458	12.168	6.3	15.156	41	Berseem
4	6-Jun-18	5.14	5.26	10.4	6.4	15.278	46	Sorghum
5	6-Jul-18	4.932	5	9.932	6.7	15.522	44	Sorghum
6	6-Aug-18	4.325	4.789	9.114	6.8	15.522	41	Sorghum
7	6-Sep-18	4.25	4	8.25	7.2	15.644	38	Sorghum
8	6-Oct-18	3.87	0	3.87	7.3	15.644	37	Maize
9	6-Nov-18	2.78	0	2.78	7.4	15.888	34	Maize

Current lactation performance		Current Lactation No			2nd			
Recording no	Recording Date DD-MM-YYYY	Milk yield (Kg)			Fat%	Total Solids	Environmental Temp (celcius)	Forage Type
		Morning	Evening	Total				
1	6-Mar-18	7.213	7.12	14.333	6.1	14.912	33	Berseem
2	6-Apr-18	6.622	7.25	13.872	6.1	14.912	35	Berseem
3	6-May-18	5.71	6.45	12.15	6.3	15.156	41	Berseem
4	6-Jun-18	5.126	5.901	11.027	6.4	15.278	46	Sorghum
5	6-Jul-18	4.932	5.15	10.082	6.7	15.522	44	Sorghum
6	6-Aug-18	4.711	5	9.711	6.8	15.522	41	Sorghum
7	6-Sep-18	4.45	4.71	9.16	7.2	15.644	38	Sorghum
8	6-Oct-18	3.987	0	3.987	7.3	15.644	37	Maize
9	6-Nov-18	3.41	0	3.41	7.4	15.888	34	Maize

Performance History & Progeny Record

Performance History					Progeny Record		
Lactation no	Date of Calving MM-DD-YYYY	Date of Dry MM-DD-YYYY	Lactation Length	Milk yield (Lit.)	Calf ID	Sire ID	Sex
1		NA	NA	NA	NA	NA	NA
2	NA	NA	NA	NA	NA	NA	NA
3	1-14-18				Balla	Jugn00	Male

Performance History & Progeny Record

Performance History					Progeny Record		
Lactation no	Date of Calving MM-DD-YYYY	Date of Dry MM-DD-YYYY	Lactation Length	Milk yield (Lit.)	Calf ID	Sire ID	Sex
1		NA	NA	NA	NA	NA	NA
2		NA	NA	NA	NA	NA	NA
3	1-29-18				Mithi	Jugn00	Male

KS-032

Malik Azmat Ullah Khokhar



Farmer Detail

Name	Malik Azmat Ullah Khokhar
Address	Baig pur kasur
Contact No	0301-6809279
CNIC	35102-0658999-1

Buffaloes Detail

Adults	Heifers	Calves	Bull	Total
35	14	16	1	66

Star Marked And changed colour is current practice of farmer from below Table

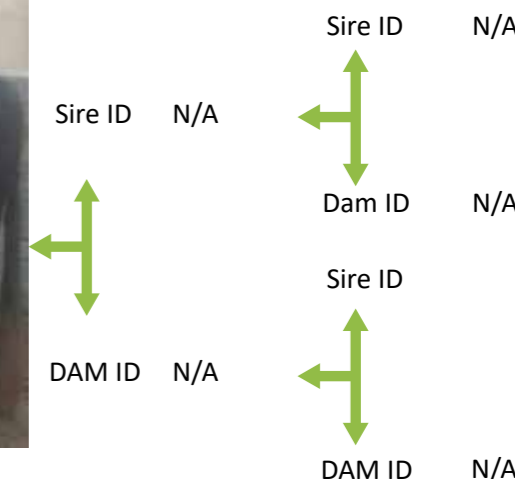
Feeding system

NFS	Necessary feeding system	Total mixed ration @3% Body wieght
HIFS	High input feeding system	Forage ad lib+ Silage/Hay+Concentrate+free water access
* MIFS	Medium input feeding system	Forage ad lib+ occasional Concentrate+free water access
LIFS	Low input feeding system	Forage ad lib+ water access on offering
PIFS	Poor input feeding system	Grazing from communal land+ Water access on offering

Housing System

Excellent	Loose stall,Proper feeding manger+Free access to pound+excellent Ventilation+Bedding in resting area
Good	Loose stall, proper feeding manger+Once a day access to pound+resting area+excellent ventilation
Above average	Loose stall, proper feeding manger+resting area+good ventilation
* Average	Tie stall+proper feeding manger+Resting area+good ventilation
Poor	Tie stall+poor ventilation+ No resting area

International ID	Project ID	Buffalo Name	Breed	Date Of Birth
PKB-KS-003-032-274	Tag#274	Teeli	Nili Ravi	NA

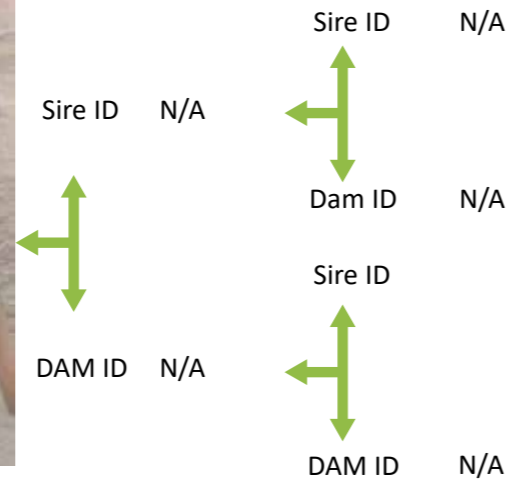


Recording no	Recording Date DD-MM-YYYY	Milk yield (Kg)			Fat%	Total Solids	Environmental Temp (celcius)	Forage Type
		Morning	Evening	Total				
1	6-Mar-18	7.24	7.2	14.44	6.2	15.034	32	Berseem
2	6-Apr-18	7.05	6	13.05	6.2	15.034	39	Berseem
3	6-May-18	5.9	6.329	12.229	6.4	15.156	42	Sorghum
4	6-Jun-18	5.2	5.9	11.1	6.3	15.278	45	Sorghum
5	6-Jul-18	4.8	6.23	11.03	6.4	15.522	44	Sorghum
6	6-Aug-18	4.23	4.9	9.13	6.5	15.522	39	Maize
7	6-Sep-18	3.7	4.9	8.6	6.8	15.644	41	Maize
8	6-Oct-18	4	4.2	8.2	6.9	15.644	36	Maize
9	6-Nov-18	2	3.2	5.2	6.9	15.888	35	Maize

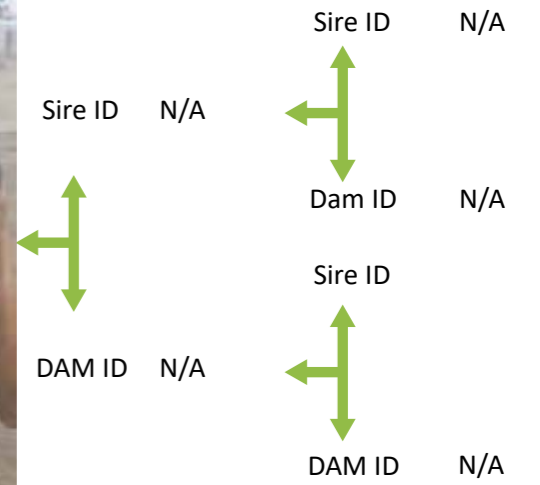
Performance History & Progeny Record

Performance History					Progeny Record		
Lactation no	Date of Calving MM-DD-YYYY	Date of Dry MM-DD-YYYY	Lactation Length	Milk yield (Lit.)	Calf ID	Sire ID	Sex
1	NA	NA	NA	NA	NA	NA	Male
2	NA	NA	NA	NA	NA	NA	Male
3	1-27-18				NA	Abbas Wala	Female

International ID	Project ID	Buffalo Name	Breed	Date Of Birth
PKB-KS-003-032-275	Tag#275	Choti balli	Nili Ravi	NA



International ID	Project ID	Buffalo Name	Breed	Date Of Birth
PKB-KS-003-032-276	Tag#276	Chandni	Nili Ravi	NA



Current lactation performance		Current Lactation No			2nd	Fat%	Total Solids	Environmental Temp (celcius)	Forage Type
Recording no	Recording Date DD-MM-YYYY	Milk yield (Kg)							
		Morning	Evening	Total					
1	6-Mar-18	7.2	6.87	14.07	6.2	15.034	32	Berseem	
2	6-Apr-18	7.5	14.06	14.06	6.2	15.034	39	Berseem	
3	6-May-18	7.1	13.5	13.5	6.4	15.156	42	Sorghum	
4	6-Jun-18	6.74	12.127	12.127	6.3	15.278	45	Sorghum	
5	6-Jul-18	4.32	9.19	9.19	6.4	15.522	44	Sorghum	
6	6-Aug-18	4.2	8.3	8.3	6.5	15.522	39	Maize	
7	6-Sep-18	3.858	7.858	7.858	6.8	15.644	41	Maize	
8	6-Oct-18	3.336	7.096	7.096	6.9	15.644	36	Maize	
9	6-Nov-18	2.91	6.61	6.61	6.9	15.888	35	Maize	

Current lactation performance		Current Lactation No			2nd	Fat%	Total Solids	Environmental Temp (celcius)	Forage Type
Recording no	Recording Date DD-MM-YYYY	Milk yield (Kg)							
		Morning	Evening	Total					
1	6-Mar-18	6.372	6.1	14.07	6.2	15.034	32	Berseem	
2	6-Apr-18	6.67	6.02	14.06	6.2	15.034	39	Berseem	
3	6-May-18	6.45	5.98	13.5	6.4	15.156	42	Sorghum	
4	6-Jun-18	5.78	4.77	12.127	6.3	15.278	45	Sorghum	
5	6-Jul-18	5.02	4.32	9.19	6.4	15.522	44	Sorghum	
6	6-Aug-18	3.976	3.814	8.3	6.5	15.522	39	Maize	
7	6-Sep-18	3.784	3.858	7.858	6.8	15.644	41	Maize	
8	6-Oct-18	4.242	3.336	7.096	6.9	15.644	36	Maize	
9	6-Nov-18	3.22	2.91	6.61	6.9	15.888	35	Maize	

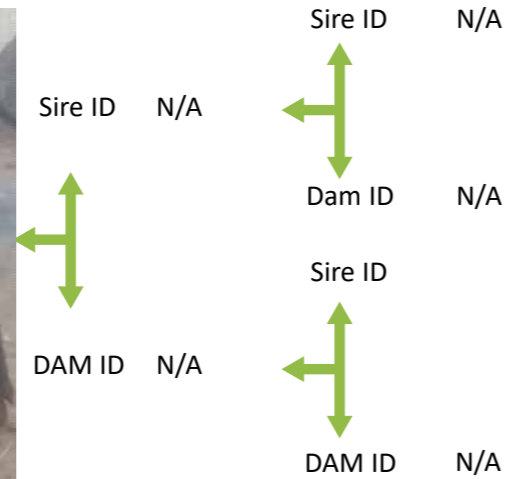
Performance History & Progeny Record

Performance History					Progeny Record		
Lactation no	Date of Calving MM-DD-YYYY	Date of Dry MM-DD-YYYY	Lactation Length	Milk yield (Lit.)	Calf ID	Sire ID	Sex
1	NA	NA	NA	NA	NA	NA	Male
2	12-28-17	NA	NA	NA	NA	NA	Male
3							

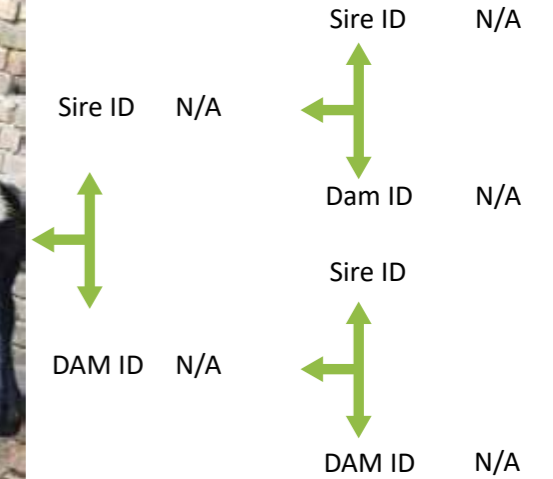
Performance History & Progeny Record

Performance History					Progeny Record		
Lactation no	Date of Calving MM-DD-YYYY	Date of Dry MM-DD-YYYY	Lactation Length	Milk yield (Lit.)	Calf ID	Sire ID	Sex
1	NA	NA	NA	NA	NA	NA	Male
2	2-14-18	NA	NA	NA	NA	QB-1012	Male
3							

International ID	Project ID	Buffalo Name	Breed	Date Of Birth
PKB-KS-003-032-277	Tag#277	Chamkili	Nili Ravi	NA



International ID	Project ID	Buffalo Name	Breed	Date Of Birth
PKB-KS-003-032-278	Tag#278	Mitho	Nili Ravi	NA



Current lactation performance		Current Lactation No			4th			
Recording no	Recording Date DD-MM-YYYY	Milk yield (Kg)			Fat%	Total Solids	Environmental Temp (celcius)	Forage Type
		Morning	Evening	Total				
1	6-Mar-18	6.9	7.8	14.7	6.2	15.034	32	Berseem
2	6-Apr-18	7.5	7	14.5	6.2	15.034	39	Berseem
3	6-May-18	6.9	7.2	14.1	6.4	15.156	42	Sorghum
4	6-Jun-18	5.9	5.4	11.3	6.3	15.278	45	Sorghum
5	6-Jul-18	5.5	5.1	10.6	6.4	15.522	44	Sorghum
6	6-Aug-18	4.9	0	4.9	6.5	15.522	39	Maize
7	6-Sep-18	5	4.2	9.2	6.8	15.644	41	Maize
8	6-Oct-18	3	3.4	6.4	6.9	15.644	36	Maize
9	6-Nov-18	3	2.4	5.4	6.9	15.888	35	Maize

Current lactation performance		Current Lactation No			6th			
Recording no	Recording Date DD-MM-YYYY	Milk yield (Kg)			Fat%	Total Solids	Environmental Temp (celcius)	Forage Type
		Morning	Evening	Total				
1	6-Mar-18	5.1	5.5	10.6	6.2	15.034	32	Berseem
2	6-Apr-18	5.5	6	11.5	6.2	15.034	39	Berseem
3	6-May-18	5.1	5.8	10.9	6.4	15.156	42	Sorghum
4	6-Jun-18	4.7	5.4	10.1	6.3	15.278	45	Sorghum
5	6-Jul-18	4.3	4.9	9.2	6.4	15.522	44	Sorghum
6	6-Aug-18	4.1	4.7	8.8	6.5	15.522	39	Maize
7	6-Sep-18	3.5	2	5.5	6.8	15.644	41	Maize
8	6-Oct-18	3.2	4	7.2	6.9	15.644	36	Maize
9	6-Nov-18	2	0	2	6.9	15.888	35	Maize

Performance History & Progeny Record

Performance History					Progeny Record		
Lactation no	Date of Calving MM-DD-YYYY	Date of Dry MM-DD-YYYY	Lactation Length	Milk yield (Lit.)	Calf ID	Sire ID	Sex
1	NA	NA	NA	NA	NA	NA	NA
2	NA	NA	NA	NA	NA	NA	NA
3	2-3-18				NA	ABBAS Wala	Male

Performance History & Progeny Record

Performance History					Progeny Record		
Lactation no	Date of Calving MM-DD-YYYY	Date of Dry MM-DD-YYYY	Lactation Length	Milk yield (Lit.)	Calf ID	Sire ID	Sex
1	NA	NA	NA	NA	NA	NA	NA
2	NA	NA	NA	NA	NA	NA	NA
3	2-2-18				NA	ABBAS Wala	Male

KS-033

Engr. Shoab



Farmer Detail

Name	Engr. Shoab
Address	Barki near Boy Asal Tehsil Kot radha kishin District Kasur
Contact No	0343-0012347
CNIC	35202-2781208-5

Buffaloes Detail

Adults	Heifers	Calves	Bull	Total
30	21	23	1	75

Star Marked And changed colour is current practice of farmer from below Table

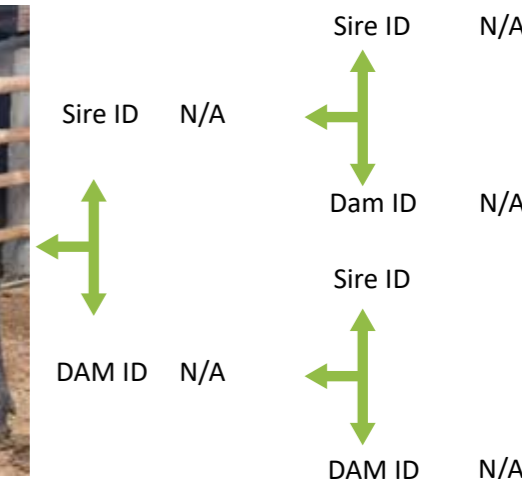
Feeding system

NFS	Necessary feeding system	Total mixed ration @3% Body wieght
* HIFS	High input feeding system	Forage ad lib+ Silage/Hay+Concentrate+free water access
MIFS	Medium input feeding system	Forage ad lib+ occasional Concentrate+free water access
LIFS	Low input feeding system	Forage ad lib+ water access on offering
PIFS	Poor input feeding system	Grazing from communal land+ Water access on offering

Housing System

Excellent	Loose stall,Proper feeding manger+Free access to pound+excellent Ventilation+Bedding in resting area
Good	Loose stall, proper feeding manger+Once a day access to pound+resting area+excellent ventilation
* Above average	Loose stall, proper feeding manger+resting area+good ventilation
Average	Tie stall+proper feeding manger+Resting area+good ventilation
Poor	Tie stall+poor ventilation+ No resting area

International ID	Project ID	Buffalo Name	Breed	Date Of Birth
PKB-KS-002-033-150	Tag#150	Pooja	Nili Ravi	NA

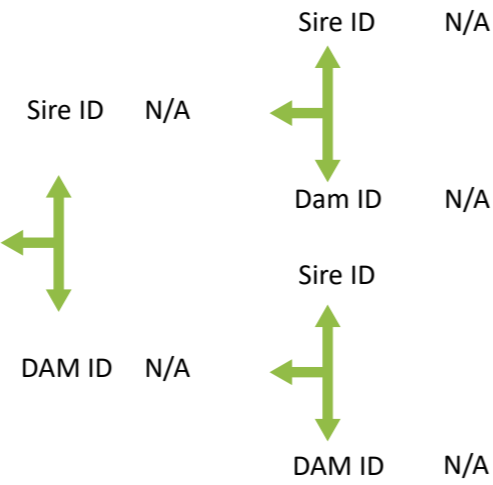


Recording no	Recording Date DD-MM-YYYY	Milk yield (Kg)			Fat%	Total Solids	Environmental Temp (celcius)	Forage Type
		Morning	Evening	Total				
1	8-Mar-18	5.4	5.26	10.66	6.3	15.156	33	Berseem
2	8-Apr-18	5.112	5	10.112	6.2	15.034	37	Berseem
3	8-May-18	4.721	7.56	12.281	6.4	15.156	42	Maize
4	8-Jun-18	4.251	4.125	8.376	6.5	15.278	46	Sorghum
5	8-Jul-18	3.925	4.365	8.29	6.5	15.522	43	Sorghum
6	8-Aug-18	3.745	3.521	7.266	6.6	15.522	39	Sorghum
7	8-Sep-18	3.412	3.125	6.537	7	15.644	37	Sorghum
8	8-Oct-18	3.156	3.25	6.406	7.1	15.644	35	Maize
9	8-Nov-18	2.36	1.569	3.929	7.4	16.498	34	Maize

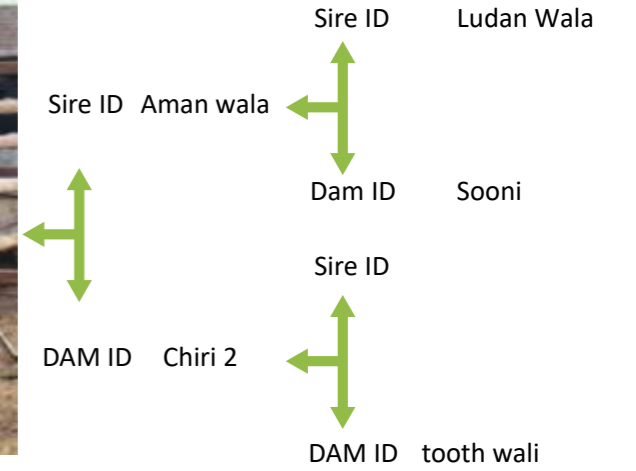
Performance History & Progeny Record

Performance History					Progeny Record		
Lactation no	Date of Calving MM-DD-YYYY	Date of Dry MM-DD-YYYY	Lactation Length	Milk yield (Lit.)	Calf ID	Sire ID	Sex
1	NA	NA	NA	NA	NA	NA	NA
2	NA	NA	NA	NA	NA	NA	NA
3	12.14-17				B-14	mitho	Male

International ID	Project ID	Buffalo Name	Breed	Date Of Birth
PKB-KS-002-033-151	Tag#151	Multani	Nili	NA



International ID	Project ID	Buffalo Name	Breed	Date Of Birth
PKB-KS-002-033-152	Tag#152	chiri	Nili Ravi	1/2/2009



Current lactation performance		Current Lactation No			5th	Fat%	Total Solids	Environmental Temp (celcius)	Forage Type
Recording no	Recording Date DD-MM-YYYY	Milk yield (Kg)							
		Morning	Evening	Total					
1	8-Mar-18	5.215	5.925	11.14	6.3	15.156	33	Berseem	
2	8-Apr-18	4.921	5.265	10.186	6.2	15.034	37	Berseem	
3	8-May-18	4.782	5	9.782	6.4	15.156	42	Maize	
4	8-Jun-18	4.421	4.954	9.375	6.5	15.278	46	Sorghum	
5	8-Jul-18	3.954	3.459	7.413	6.5	15.522	43	Sorghum	
6	8-Aug-18	4.125	4	8.125	6.6	15.522	39	Sorghum	
7	8-Sep-18	0	6.756	6.756	7	15644	37	Sorghum	
8	8-Oct-18	3.925	4.256	8.181	7.1	15.644	35	Maize	
9	8-Nov-18	2.715	1.524	4.239	7.4	16.498	34	Maize	

Current lactation performance		Current Lactation No			4th	Fat%	Total Solids	Environmental Temp (celcius)	Forage Type
Recording no	Recording Date DD-MM-YYYY	Milk yield (Kg)							
		Morning	Evening	Total					
1	8-Mar-18	6.215	6.512	12.727	6.3	15.156	33	Berseem	
2	8-Apr-18	5.715	6	11.715	6.2	15.034	37	Berseem	
3	8-May-18	5.15	5.415	10.565	6.4	15.156	42	Maize	
4	8-Jun-18	4.715	5.25	9.965	6.5	15.278	46	Sorghum	
5	8-Jul-18	0	8.954	8.954	6.5	15.522	43	Sorghum	
6	8-Aug-18	3.984	4.125	8.109	6.6	15.522	39	Sorghum	
7	8-Sep-18	2.15	3.521	5.671	7	15644	37	Sorghum	
8	8-Oct-18	3.458	3.125	6.583	7.1	15.644	35	Maize	
9	8-Nov-18	2.415	1.569	3.984	7.4	16.498	34	Maize	

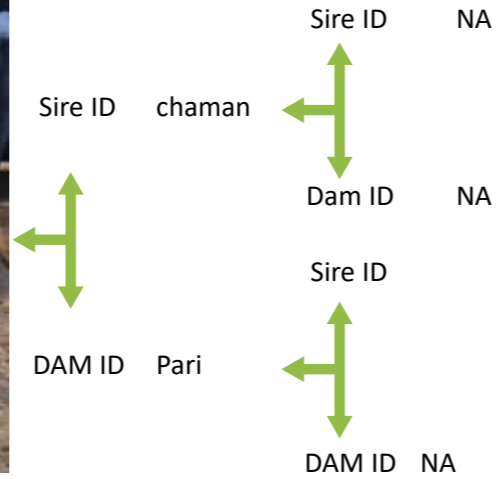
Performance History & Progeny Record

Performance History					Progeny Record		
Lactation no	Date of Calving MM-DD-YYYY	Date of Dry MM-DD-YYYY	Lactation Length	Milk yield (Lit.)	Calf ID	Sire ID	Sex
1	1-1-15	NA	NA	12	BS-9	Lunda	Male
2	3-5-16	NA	NA	14	BS-51	QB-1022	Female
3	12-26-17				BS-103	Preem	Female

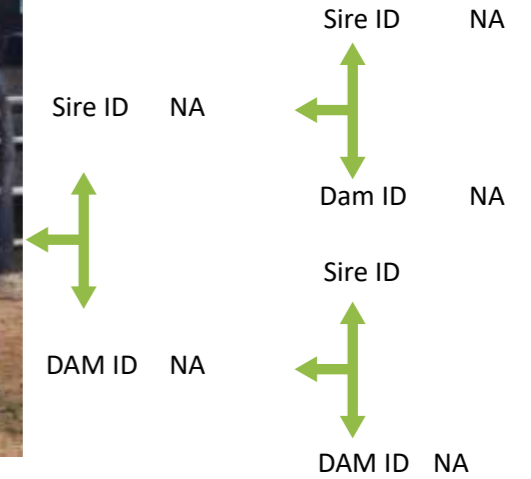
Performance History & Progeny Record

Performance History					Progeny Record		
Lactation no	Date of Calving MM-DD-YYYY	Date of Dry MM-DD-YYYY	Lactation Length	Milk yield (Lit.)	Calf ID	Sire ID	Sex
1	3-23-14	NA	NA	12	BS-9	Malang	Female
2	12-15-16	NA	NA	14	BS-47	QB-1022	Male
3	1-1-18				BS-114	Preem	Male

International ID	Project ID	Buffalo Name	Breed	Date Of Birth
PKB-KS-002-033-153	Tag#153	Nili-Ravi	Nili Ravi	1/2/2009



International ID	Project ID	Buffalo Name	Breed	Date Of Birth
PKB-KS-002-033-154	Tag#154	Ranjan	Nili Ravi	NA



Current lactation performance		Current Lactation No			3rd			
Recording no	Recording Date DD-MM-YYYY	Milk yield (Kg)			Fat%	Total Solids	Environmental Temp (celcius)	Forage Type
		Morning	Evening	Total				
1	8-Mar-18	6.215	6.512	12.727	6.3	15.156	33	Berseem
2	8-Apr-18	5.715	6	11.715	6.2	15.034	37	Berseem
3	8-May-18	5.15	5.415	10.565	6.4	15.156	42	Maize
4	8-Jun-18	4.256	5.25	9.965	6.5	15.278	46	Sorghum
5	8-Jul-18	3.954	8.954	12.808	6.5	15.522	43	Sorghum
6	8-Aug-18	3.156	4.125	7.27	6.6	15.522	39	Sorghum
7	8-Sep-18	2.589	3.521	5.671	7	15.644	37	Sorghum
8	8-Oct-18	3.458	3	6.483	7.1	15.644	35	Maize
9	8-Nov-18	2	1.569	3.984	7.4	16.498	34	Maize

Current lactation performance		Current Lactation No			5th			
Recording no	Recording Date DD-MM-YYYY	Milk yield (Kg)			Fat%	Total Solids	Environmental Temp (celcius)	Forage Type
		Morning	Evening	Total				
1	8-Mar-18	7.412	7.856	12.268	6.3	15.156	33	Berseem
2	8-Apr-18	6	7.256	13.256	6.2	15.034	37	Berseem
3	8-May-18	5.256	6.256	11.512	6.4	15.156	42	Maize
4	8-Jun-18	5.1	5.368	10.468	6.5	15.278	46	Sorghum
5	8-Jul-18	4.7	5	9.7	6.5	15.522	43	Sorghum
6	8-Aug-18	4.36	4.89	9.25	6.6	15.522	39	Sorghum
7	8-Sep-18	3.	3.256	7.156	7	15.644	37	Sorghum
8	8-Oct-18	3.256	3.158	6.414	7.1	15.644	35	Maize
9	8-Nov-18	1.56	0	1.56	7.4	16.498	34	Maize

Performance History & Progeny Record

Performance History					Progeny Record		
Lactation no	Date of Calving MM-DD-YYYY	Date of Dry MM-DD-YYYY	Lactation Length	Milk yield (Lit.)	Calf ID	Sire ID	Sex
1	NA	NA	NA	NA	NA	NA	NA
2	NA	NA	NA	NA	NA	NA	NA
3	2-2-18				BS-139	QB-1018	Female

Performance History & Progeny Record

Performance History					Progeny Record		
Lactation no	Date of Calving MM-DD-YYYY	Date of Dry MM-DD-YYYY	Lactation Length	Milk yield (Lit.)	Calf ID	Sire ID	Sex
1	3-3-15	NA	NA	NA	BS-24	Sikandar	Female
2	10-16-16	NA	NA	NA	BS-56	Sikandar	Female
3	1-14-18				BS-134	Lunda	Female

KS-034

Mehmood Ahmed



Farmer Detail

Name	Mehmood Ahmed
Address	Khai hittar, Kasur
Contact No	0306-4715646
CNIC	35102-7669150-9

Buffaloes Detail

Adults	Heifers	Calves	Bull	Total
14	6	4	1	25

Star Marked And changed colour is current practice of farmer from below Table

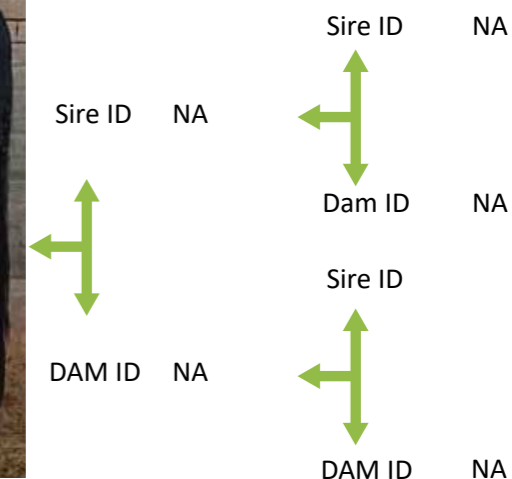
Feeding system

NFS	Necessary feeding system	Total mixed ration @3% Body wieght
HIFS	High input feeding system	Forage ad lib+ Silage/Hay+Concentrate+free water access
MIFS	Medium input feeding system	Forage ad lib+ occasional Concentrate+free water access
* LIFS	Low input feeding system	Forage ad lib+ water access on offering
PIFS	Poor input feeding system	Grazing from communal land+ Water access on offering

Housing System

Excellent	Loose stall,Proper feeding manger+Free access to pound+excellent Ventilation+Bedding in resting area
Good	Loose stall, proper feeding manger+Once a day access to pound+resting area+excellent ventilation
Above average	Loose stall, proper feeding manger+resting area+good ventilation
* Average	Tie stall+proper feeding manger+Resting area+good ventilation
Poor	Tie stall+poor ventilation+ No resting area

International ID	Project ID	Buffalo Name	Breed	Date Of Birth
PKB-KS-003-034-287	Tag#287	NA	NA	NA

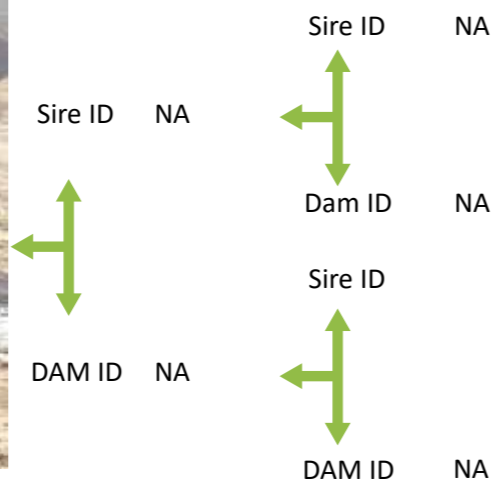


Recording no	Recording Date DD-MM-YYYY	Milk yield (Kg)			Fat%	Total Solids	Environmental Temp (celcius)	Forage Type
		Morning	Evening	Total				
1	24-Mar-18	7.2	6.5	13.7	6.1	14.912	33	Berseem
2	24-Apr-18	6.5	6	12.5	5.7	14.912	38	Berseem
3	24-May-18	5.3	5.9	11.2	6.2	15.156	41	Berseem
4	24-Jun-18	5.1	5.6	10.7	6.2	15.278	44	Sorghum
5	24-Jul-18	4.7	5	9.7	6.4	15.522	46	Sorghum
6	24-Aug-18	4.1	4.7	8.8	6.3	15.522	43	Sorghum
7	24-Sep-18	3.7	4.1	7.8	6.5	15.644	39	Sorghum
8	24-Oct-18	3.1	0	3.1	6.8	15.644	37	Maize
9	24-Nov-18	0	4.2	4.2	7	15.888	33	Maize

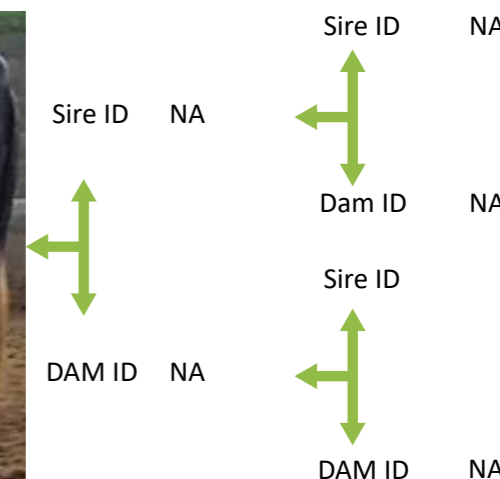
Performance History & Progeny Record

Performance History					Progeny Record		
Lactation no	Date of Calving MM-DD-YYYY	Date of Dry MM-DD-YYYY	Lactation Length	Milk yield (Lit.)	Calf ID	Sire ID	Sex
1	NA	NA	NA	NA	NA	NA	NA
2	NA	NA	NA	NA	NA	NA	NA
3	1-1-18				NA	ameen Wala	Female

International ID	Project ID	Buffalo Name	Breed	Date Of Birth
PKB-KS-003-034-288	Tag#288	NA	Nili Ravi	NA



International ID	Project ID	Buffalo Name	Breed	Date Of Birth
PKB-KS-003-034-289	Tag#289	NA	Nili Ravi	NA



Current lactation performance		Current Lactation No			2nd			
Recording no	Recording Date DD-MM-YYYY	Milk yield (Kg)			Fat%	Total Solids	Environmental Temp (celcius)	Forage Type
		Morning	Evening	Total				
1	24-Mar-18	6.34	7.43	13.77	6.1	14.912	33	Berseem
2	24-Apr-18	7.2	7.8	15	5.7	14.912	38	Berseem
3	24-May-18	6.34	7.43	13.77	6.2	15.156	41	Berseem
4	24-Jun-18	7.2	7.8	15	6.2	15.278	44	Sorghum
5	24-Jul-18	6.87	6.486	13.356	6.4	15.522	46	Sorghum
6	24-Aug-18	6	5.9	11.9	6.3	15.522	43	Sorghum
7	24-Sep-18	4.894	4.948	9.842	6.5	15.644	39	Sorghum
8	24-Oct-18	2.65	3.054	5.704	6.8	15.644	37	Maize
9	24-Nov-18	0	2.326	3.26	7	15.888	33	Maize

Current lactation performance		Current Lactation No			3rd			
Recording no	Recording Date DD-MM-YYYY	Milk yield (Kg)			Fat%	Total Solids	Environmental Temp (celcius)	Forage Type
		Morning	Evening	Total				
1	24-Mar-18	7.418	6.514	13.932	6.1	14.912	33	Berseem
2	24-Apr-18	7.154	6.92	14.074	5.7	14.912	38	Berseem
3	24-May-18	6.51	6.18	12.69	6.2	15.156	41	Berseem
4	24-Jun-18	5.814	5.415	11.229	6.2	15.278	44	Sorghum
5	24-Jul-18	5.36	5	10.36	6.4	15.522	46	Sorghum
6	24-Aug-18	5	4.39	9.39	6.3	15.522	43	Sorghum
7	24-Sep-18	4.715	0	4.715	6.5	15.644	39	Sorghum
8	24-Oct-18	4.25	2.15	6.4	6.8	15.644	37	Maize
9	24-Nov-18	3.1	1.52	4.62	7	15.888	33	Maize

Performance History & Progeny Record

Performance History					Progeny Record		
Lactation no	Date of Calving MM-DD-YYYY	Date of Dry MM-DD-YYYY	Lactation Length	Milk yield (Lit.)	Calf ID	Sire ID	Sex
1	NA	NA	NA	NA	NA	NA	NA
2	2-14-17	NA	NA	NA	NA	NA	Male
3	NA				NA	NA	NA

Performance History & Progeny Record

Performance History					Progeny Record		
Lactation no	Date of Calving MM-DD-YYYY	Date of Dry MM-DD-YYYY	Lactation Length	Milk yield (Lit.)	Calf ID	Sire ID	Sex
1	NA	NA	NA	NA	NA	NA	NA
2	NA	NA	NA	NA	NA	NA	NA
3	2-27-18				NA	Ameen Wala	Female

KS-035

Mirza Aurangzaib



Farmer Detail

Name	Mirza Aurangzaib
Address	Bhai Pheri Bai Pass Dist Kasur
Contact No	0333-4449637
CNIC	35103-8762015-1

Buffaloes Detail

Adults	Heifers	Calves	Bull	Total
85	20	35	2	142

Star Marked And changed colour is current practice of farmer from below Table

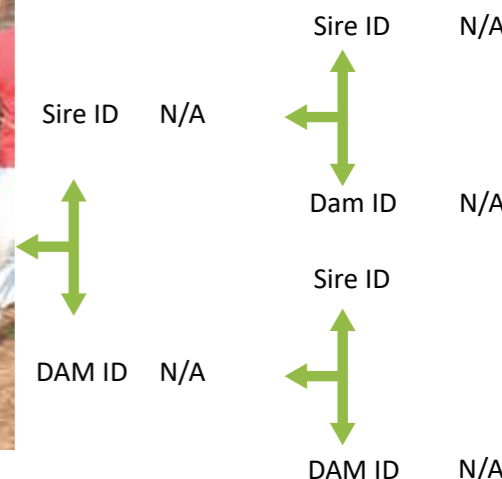
Feeding system

NFS	Necessary feeding system	Total mixed ration @3% Body wieght
HIFS	High input feeding system	Forage ad lib+ Silage/Hay+Concentrate+free water access
* MIFS	Medium input feeding system	Forage ad lib+ occasional Concentrate+free water access
LIFS	Low input feeding system	Forage ad lib+ water access on offering
PIFS	Poor input feeding system	Grazing from communal land+ Water access on offering

Housing System

Excellent	Loose stall,Proper feeding manger+Free access to pound+excellent Ventilation+Bedding in resting area
* Good	Loose stall, proper feeding manger+Once a day access to pound+resting area+excellent ventilation
Above average	Loose stall, proper feeding manger+resting area+good ventilation
Average	Tie stall+proper feeding manger+Resting area+good ventilation
Poor	Tie stall+poor ventilation+ No resting area

International ID	Project ID	Buffalo Name	Breed	Date Of Birth
PKB-KS-002-035-026	Tag#26	Piayri	Nili Ravi	NA

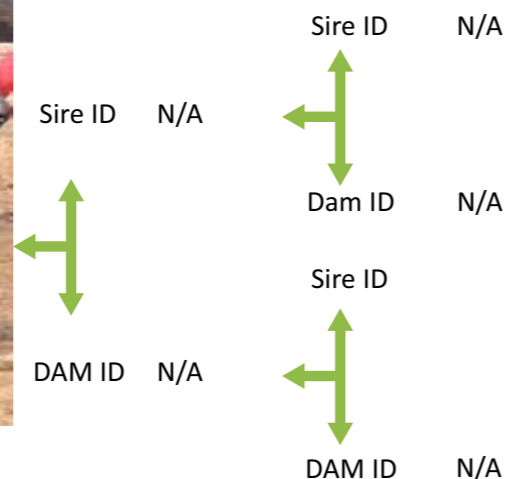


Recording no	Recording Date DD-MM-YYYY	Milk yield (Kg)			Fat%	Total Solids	Environmental Temp (celcius)	Forage Type
		Morning	Evening	Total				
1	9-Mar-18	8.698	8.854	17.552	6.2	15.034	32	Berseem
2	9-Apr-18	8.145	9	17.145	6.3	15.156	37	Berseem
3	9-May-18	7.75	8.458	16.208	6.2	15.034	42	Sorghum
4	9-Jun-18	7.458	7.756	15.214	6.5	15.278	44	Sorghum
5	9-Jul-18	6.125	6.845	12.97	6.5	15.522	43	Sorghum
6	9-Aug-18	5.35	5.125	10.475	6.6	15.522	42	Sorghum
7	9-Sep-18	5.156	4.954	10.11	6.8	15.644	38	Sorghum
8	9-Oct-18	4.56	4.145	8.705	7.1	15.644	34	Maize
9	9-Nov-18	3.125	3.9	7.025	7	16.498	33	Maize

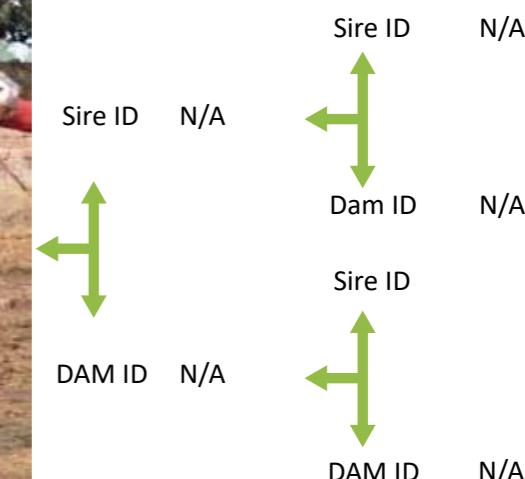
Performance History & Progeny Record

Performance History					Progeny Record		
Lactation no	Date of Calving MM-DD-YYYY	Date of Dry MM-DD-YYYY	Lactation Length	Milk yield (Lit.)	Calf ID	Sire ID	Sex
1	NA	NA	NA	16	NA	Mandi wala	Male
2	NA	NA	NA	17	NA	Naath wala	Male
3	2-18-18				NA	Naath wala	Male

International ID	Project ID	Buffalo Name	Breed	Date Of Birth
PKB-KS-002-035-027	Tag#27	Mitho	Nili-Ravi	NA



International ID	Project ID	Buffalo Name	Breed	Date Of Birth
PKB-KS-002-035-028	Tag#28	Buri	Nili-Ravi	NA



Current lactation performance		Current Lactation No			2nd	Fat%	Total Solids	Environmental Temp (celcius)	Forage Type
Recording no	Recording Date DD-MM-YYYY	Milk yield (Kg)							
		Morning	Evening	Total					
1	9-Mar-18	7.589	8.256	15.845	6.2	15.034	32	Berseem	
2	9-Apr-18	7.156	7.58	14.736	6.3	15.156	37	Berseem	
3	9-May-18	0	2.369	2.369	6.2	15.034	42	Sorghum	
4	9-Jun-18	6.356	5.489	11.854	6.5	15.278	44	Sorghum	
5	9-Jul-18	6.156	6	12.156	6.5	15.522	43	Sorghum	
6	9-Aug-18	5.478	5.145	10.623	6.6	15.522	42	Sorghum	
7	9-Sep-18	4.365	4.156	8.521	6.8	15.644	38	Sorghum	
8	9-Oct-18	3.958	7.098	7.098	7.1	15.644	34	Maize	
9	9-Nov-18	2.145	3.654	3.645	7	16.498	33	Maize	

Current lactation performance		Current Lactation No			1st	Fat%	Total Solids	Environmental Temp (celcius)	Forage Type
Recording no	Recording Date DD-MM-YYYY	Milk yield (Kg)							
		Morning	Evening	Total					
1	9-Mar-18	6.256	6.415	12.671	6.2	15.034	32	Berseem	
2	9-Apr-18	5.756	6	11.756	6.3	15.156	37	Berseem	
3	9-May-18	5.147	5.526	10.673	6.2	15.034	42	Sorghum	
4	9-Jun-18	4.958	5.125	10.083	6.5	15.278	44	Sorghum	
5	9-Jul-18	4.256	4.82	9.076	6.5	15.522	43	Sorghum	
6	9-Aug-18	4.178	4	8.178	6.6	15.522	42	Sorghum	
7	9-Sep-18	3.748	3.956	7.704	6.8	15.644	38	Sorghum	
8	9-Oct-18	3.548	3.25	6.798	7.1	15.644	34	Maize	
9	9-Nov-18	0	5.624	5.624	7	16.498	33	Maize	

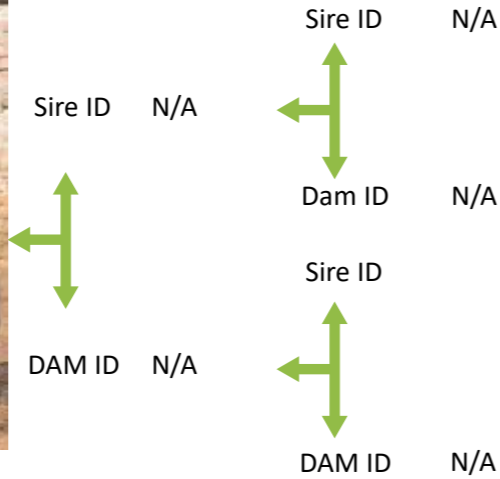
Performance History & Progeny Record

Performance History					Progeny Record		
Lactation no	Date of Calving MM-DD-YYYY	Date of Dry MM-DD-YYYY	Lactation Length	Milk yield (Lit.)	Calf ID	Sire ID	Sex
1	NA	NA	NA	14	NA	Mandi	Male
2	12-26-17	NA	NA	NA	NA	Landa	Female
3	NA				NA	NA	NA

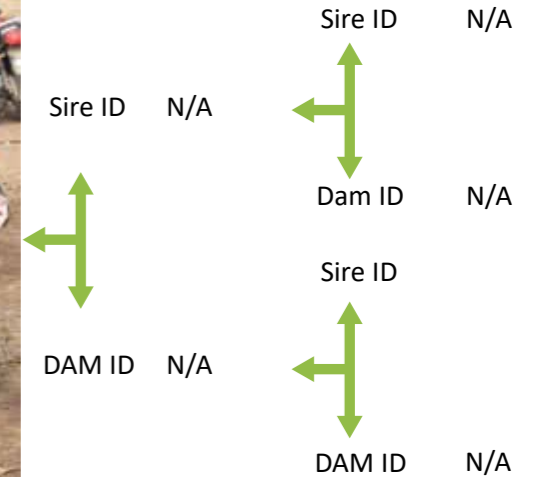
Performance History & Progeny Record

Performance History					Progeny Record		
Lactation no	Date of Calving MM-DD-YYYY	Date of Dry MM-DD-YYYY	Lactation Length	Milk yield (Lit.)	Calf ID	Sire ID	Sex
1	2-5-18	NA	NA	NA	Bura	Lunda	Male
2	NA	NA	NA	NA	NA	NA	NA
3	NA				NA	NA	NA

International ID	Project ID	Buffalo Name	Breed	Date Of Birth
PKB-KS-002-035-029	Tag#29	moorni	Nili-Ravi	NA



International ID	Project ID	Buffalo Name	Breed	Date Of Birth
PKB-KS-002-035-171	Tag#171	Moorni	Nili-Ravi	NA



Current lactation performance		Current Lactation No			2nd	Fat%	Total Solids	Environmental Temp (celcius)	Forage Type
Recording no	Recording Date DD-MM-YYYY	Milk yield (Kg)							
		Morning	Evening	Total					
1	9-Mar-18	8.45	8.748	17.198	6.2	15.034	32	Berseem	
2	9-Apr-18	7.965	8.14	16.105	6.3	15.156	37	Berseem	
3	9-May-18	6.548	7.215	13.763	6.2	15.034	42	Sorghum	
4	9-Jun-18	5.362	6.48	11.842	6.5	15.278	44	Sorghum	
5	9-Jul-18	4.15	6.514	10.664	6.5	15.522	43	Sorghum	
6	9-Aug-18	2.16	7.215	9.375	6.6	15.522	42	Sorghum	
7	9-Sep-18	3.451	3.414	6.865	6.8	15.644	38	Sorghum	
8	9-Oct-18	3.525	3.14	6.665	7.1	15.644	34	Maize	
9	9-Nov-18	2.1	2	4.1	7	16.498	33	Maize	

Current lactation performance		Current Lactation No			2nd	Fat%	Total Solids	Environmental Temp (celcius)	Forage Type
Recording no	Recording Date DD-MM-YYYY	Milk yield (Kg)							
		Morning	Evening	Total					
1	9-Mar-18	6.514	5.845	12.359	6.2	15.034	32	Berseem	
2	9-Apr-18	5.325	6.15	11.475	6.3	15.156	37	Berseem	
3	9-May-18	5.12	5.512	10.632	6.2	15.034	42	Sorghum	
4	9-Jun-18	4.956	5.26	10.216	6.5	15.278	44	Sorghum	
5	9-Jul-18	3.21	4.956	9.282	6.5	15.522	43	Sorghum	
6	9-Aug-18	0	4	7.21	6.6	15.522	42	Sorghum	
7	9-Sep-18	3	6.26	9.26	6.8	15.644	38	Sorghum	
8	9-Oct-18	3	0	3	7.1	15.644	34	Maize	
9	9-Nov-18	2.15	4.325	6.475	7	16.498	33	Maize	

Performance History & Progeny Record

Performance History					Progeny Record		
Lactation no	Date of Calving MM-DD-YYYY	Date of Dry MM-DD-YYYY	Lactation Length	Milk yield (Lit.)	Calf ID	Sire ID	Sex
1	12-16-16	NA	NA	14	Bila	Mandi Wala	Male
2	1-27-18	NA	NA	NA	Bhaloo	Lunda	Female
3	NA				NA	NA	NA

Performance History & Progeny Record

Performance History					Progeny Record		
Lactation no	Date of Calving MM-DD-YYYY	Date of Dry MM-DD-YYYY	Lactation Length	Milk yield (Lit.)	Calf ID	Sire ID	Sex
1	NA	NA	NA	13	Bila	Mandi	Male
2	2-13-18	NA	NA	NA	Bhaloo	Lunda	Male
3	NA				NA	NA	NA

KS-036

Mian Aman Ullah



Farmer Detail

Name	Mian Aman Ullah
Address	Near Bhai Pheru Ada Dist Kot Radha Kishan Kasur
Contact No	0301-4155737
CNIC	35102-9313059-5

Buffaloes Detail

Adults	Heifers	Calves	Bull	Total
45	40	35	2	122

Star Marked And changed colour is current practice of farmer from below Table

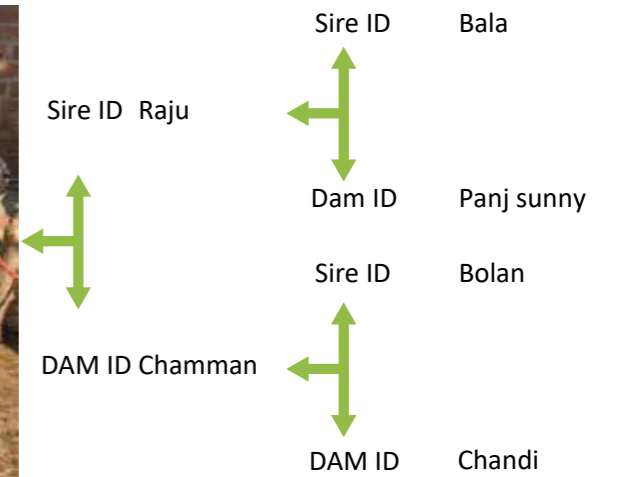
Feeding system

NFS	Necessary feeding system	Total mixed ration @3% Body wieght
* HIFS	High input feeding system	Forage ad lib+ Silage/Hay+Concentrate+free water access
MIFS	Medium input feeding system	Forage ad lib+ occasional Concentrate+free water access
LIFS	Low input feeding system	Forage ad lib+ water access on offering
PIFS	Poor input feeding system	Grazing from communal land+ Water access on offering

Housing System

Excellent	Loose stall,Proper feeding manger+Free access to pound+excellent Ventilation+Bedding in resting area
* Good	Loose stall, proper feeding manger+Once a day access to pound+resting area+excellent ventilation
Above average	Loose stall, proper feeding manger+resting area+good ventilation
Average	Tie stall+proper feeding manger+Resting area+good ventilation
Poor	Tie stall+poor ventilation+ No resting area

International ID	Project ID	Buffalo Name	Breed	Date Of Birth
PKB-KS-002-36-201	Tag#201	Rami	Nili	13-08-2013

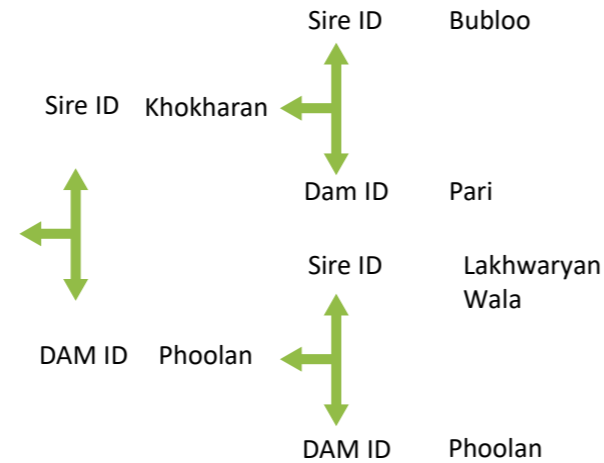


Recording no	Recording Date DD-MM-YYYY	Milk yield (Kg)			Fat%	Total Solids	Environmental Temp (celcius)	Forage Type
		Morning	Evening	Total				
1	10-Mar-18	7.245	7.956	15.201	6.4	15.278	32	Berseem
2	10-Apr-18	6.512	7.156	13.668	6.5	15.4	37	Berseem
3	10-May-18	6.156	6.845	13.001	6.5	15.4	42	Sorghum
4	10-Jun-18	5.325	5.947	11.272	6.7	15.278	44	Sorghum
5	10-Jul-18	5.145	5.124	10.359	6.3	15.522	43	Sorghum
6	10-Aug-18	4.956	5.148	10.104	6.8	15.522	42	Sorghum
7	10-Sep-18	4.756	4.948	9.704	7.1	15.644	38	Sorghum
8	10-Oct-18	4.415	4.214	8.629	6.9	15.644	34	Maize
9	18-Nov-18	3.954	3.417	7.371	7.2	16.498	33	Maize

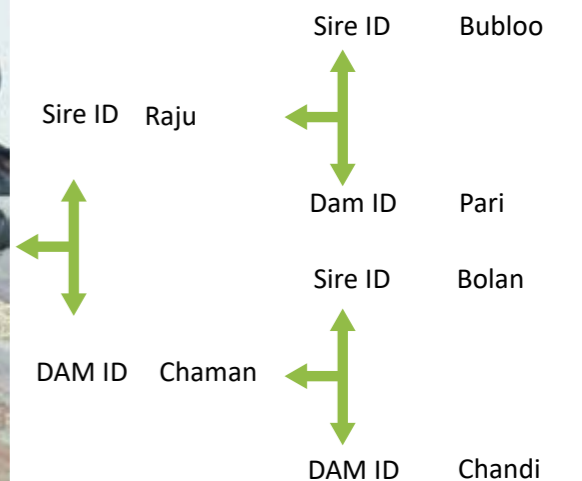
Performance History & Progeny Record

Performance History					Progeny Record		
Lactation no	Date of Calving MM-DD-YYYY	Date of Dry MM-DD-YYYY	Lactation Length	Milk yield (Lit.)	Calf ID	Sire ID	Sex
1	1-3-18	12-12-18	339	NA	B-271	Harni	Female
2	NA	NA	NA	NA	NA	NA	NA
3	NA				NA	NA	NA

International ID	Project ID	Buffalo Name	Breed	Date Of Birth
PKB-KS-002-36-202	Tag#202	Koonj	Nili Ravi	12/8/2012



International ID	Project ID	Buffalo Name	Breed	Date Of Birth
PKB-KS-002-36-203	Tag#203	Chumbali	Nili Ravi	10/4/2011



Current lactation performance		Current Lactation No			1st	Total Solids	Environmental Temp (celcius)	Forage Type
Recording no	Recording Date DD-MM-YYYY	Milk yield (Kg)			Fat%			
		Morning	Evening	Total				
1	10-Mar-18	6.748	6.847	13.595	6.4	15.278	32	Berseem
2	10-Apr-18	6.145	6.514	12.659	6.5	15.4	37	Berseem
3	10-May-18	5.958	6	11.958	6.5	15.4	42	Sorghum
4	10-Jun-18	5.325	5.741	11.066	6.7	15.278	44	Sorghum
5	10-Jul-18	4.858	5.214	10.072	6.3	15.522	43	Sorghum
6	10-Aug-18	4.325	4.947	9.272	6.8	15.522	42	Sorghum
7	10-Sep-18	4	4.51	8.51	7.1	15.644	38	Sorghum
8	10-Oct-18	3.948	4.14	8.088	6.9	15.644	34	Maize
9	18-Nov-18	2.14	3.214	5.354	7.2	16.498	33	Maize

Current lactation performance		Current Lactation No			4th	Total Solids	Environmental Temp (celcius)	Forage Type
Recording no	Recording Date DD-MM-YYYY	Milk yield (Kg)			Fat%			
		Morning	Evening	Total				
1	10-Mar-18	10.478	10.148	20.626	6.4	15.278	32	Berseem
2	10-Apr-18	10.123	9.514	19.637	6.5	15.4	37	Berseem
3	10-May-18	9.214	8.357	17.571	6.5	15.4	42	Sorghum
4	10-Jun-18	8.143	8.189	16.332	6.7	15.278	44	Sorghum
5	10-Jul-18	7.417	7	14.417	6.3	15.522	43	Sorghum
6	10-Aug-18	6.14	6.51	12.65	6.8	15.522	42	Sorghum
7	10-Sep-18	5.517	5.198	10.715	7.1	15.644	38	Sorghum
8	10-Oct-18	4.214	4.16	8.374	6.9	15.644	34	Maize
9	18-Nov-18	3.178	2.59	5.768	7.2	16.498	33	Maize

Performance History & Progeny Record

Performance History					Progeny Record		
Lactation no	Date of Calving MM-DD-YYYY	Date of Dry MM-DD-YYYY	Lactation Length	Milk yield (Lit.)	Calf ID	Sire ID	Sex
1	2-5-18	1-2-19	327	NA	B-265	QB-1022	Female
2	NA	NA	NA	NA	NA	NA	NA
3	NA				NA	NA	NA

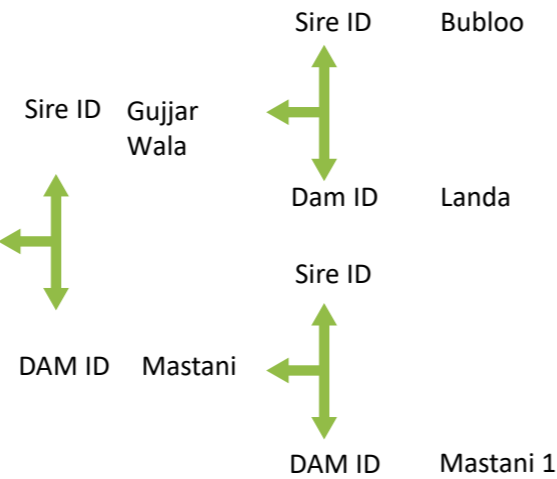
Performance History & Progeny Record

Performance History					Progeny Record		
Lactation no	Date of Calving MM-DD-YYYY	Date of Dry MM-DD-YYYY	Lactation Length	Milk yield (Lit.)	Calf ID	Sire ID	Sex
1	11-15-15	11-24-16	353	NA	B-114	sikandar	Female
2	1-3-17	5-12-17	339	NA	B-179	sikandar	Female
3	2-26-18	1-15-19	319		B-201	Jugnoo	Female

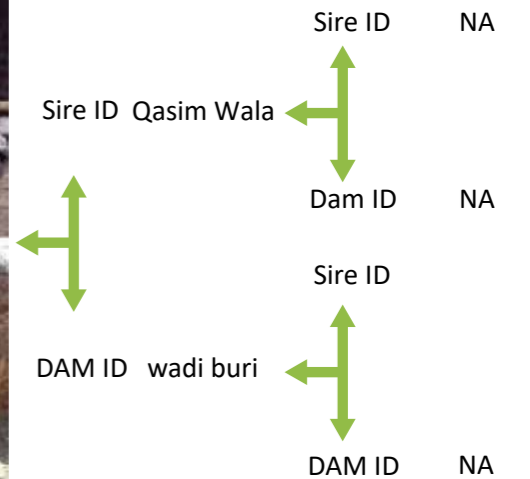
International ID	Project ID	Buffalo Name	Breed	Date Of Birth
PKB-KS-002-36-204	Tag#204	Naagni	Nili	19-06-2010



2018 Beauty Champion



International ID	Project ID	Buffalo Name	Breed	Date Of Birth
PKB-KS-002-36-205	Tag#205	Billo	Nili	19-06-2010



Current lactation performance		Current Lactation No			4th			
Recording no	Recording Date DD-MM-YYYY	Milk yield (Kg)			Fat%	Total Solids	Environmental Temp (celcius)	Forage Type
		Morning	Evening	Total				
1	10-Mar-18	4.3	5.21	9.51	6.4	15.278	32	Berseem
2	10-Apr-18	6.514	7.514	14.028	6.5	15.4	37	Berseem
3	10-May-18	6.124	7	13.214	6.5	15.4	42	Sorghum
4	10-Jun-18	5.879	6.247	12.126	6.7	15.278	44	Sorghum
5	10-Jul-18	5.178	6.247	10.692	6.3	15.522	43	Sorghum
6	10-Aug-18	4.713	5.514	9.891	6.8	15.522	42	Sorghum
7	10-Sep-18	4.178	5.178	8.568	7.1	15.644	38	Sorghum
8	10-Oct-18	3.814	4.39	7.293	6.9	15.644	34	Maize
9	18-Nov-18	2.598	2.517	5.115	7.2	16.498	33	Maize

Current lactation performance		Current Lactation No			7th			
Recording no	Recording Date DD-MM-YYYY	Milk yield (Kg)			Fat%	Total Solids	Environmental Temp (celcius)	Forage Type
		Morning	Evening	Total				
1	10-Mar-18	4.3	5.21	9.51	6.4	15.278	32	Berseem
2	10-Apr-18	6.514	7.514	14.028	6.5	15.4	37	Berseem
3	10-May-18	6.124	7	13.214	6.5	15.4	42	Sorghum
4	10-Jun-18	5.879	6.247	12.126	6.7	15.278	44	Sorghum
5	10-Jul-18	5.178	6.247	10.692	6.3	15.522	43	Sorghum
6	10-Aug-18	4.713	5.514	9.891	6.8	15.522	42	Sorghum
7	10-Sep-18	4.178	5.178	8.568	7.1	15.644	38	Sorghum
8	10-Oct-18	3.814	4.39	7.293	6.9	15.644	34	Maize
9	18-Nov-18	2.598	2.517	5.115	7.2	16.498	33	Maize

Performance History & Progeny Record

Performance History					Progeny Record		
Lactation no	Date of Calving MM-DD-YYYY	Date of Dry MM-DD-YYYY	Lactation Length	Milk yield (Lit.)	Calf ID	Sire ID	Sex
1	11-11-15	10-15-16	334	2711	B-45	sikandar	Female
2	1-5-17	1-1-18	358	3040	B-139	sikandar	Female
3	3-25-18	1-1-19	276		B-201	Jugnoo	Female

Performance History & Progeny Record

Performance History					Progeny Record		
Lactation no	Date of Calving MM-DD-YYYY	Date of Dry MM-DD-YYYY	Lactation Length	Milk yield (Lit.)	Calf ID	Sire ID	Sex
1	11-14-14	11-5-15	356	34	B-102	sikandar	Female
2	12-12-16	7-11-17	330	NA	B-177	sikandar	Female
3	1-16-18	12-12-18	331		B-209	QB-1018	Female

KS-037

Malik Mashoor Khokhar



Farmer Detail

Name	Malik Mashoor Khokhar
Address	Chak no 57 kachi line khokhron Dist Kasur
Contact No	0344-4828928
CNIC	35102-6704471-7

Buffaloes Detail

Adults	Heifers	Calves	Bull	Total
22	12	14	1	49

Star Marked And changed colour is current practice of farmer from below Table

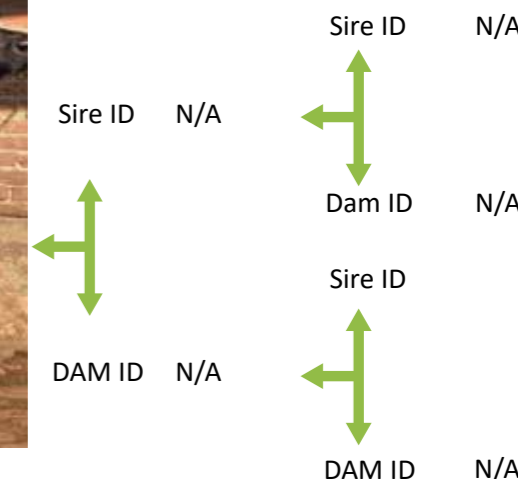
Feeding system

NFS	Necessary feeding system	Total mixed ration @3% Body wieght
HIFS	High input feeding system	Forage ad lib+ Silage/Hay+Concentrate+free water access
MIFS	Medium input feeding system	Forage ad lib+ occasional Concentrate+free water access
* LIFS	Low input feeding system	Forage ad lib+ water access on offering
PIFS	Poor input feeding system	Grazing from communal land+ Water access on offering

Housing System

Excellent	Loose stall,Proper feeding manger+Free access to pound+excellent Ventilation+Bedding in resting area
Good	Loose stall, proper feeding manger+Once a day access to pound+resting area+excellent ventilation
Above average	Loose stall, proper feeding manger+resting area+good ventilation
* Average	Tie stall+proper feeding manger+Resting area+good ventilation
Poor	Tie stall+poor ventilation+ No resting area

International ID	Project ID	Buffalo Name	Breed	Date Of Birth
PKB-002-KS37-181	Tag#181	Rani	Nili Ravi	N/A

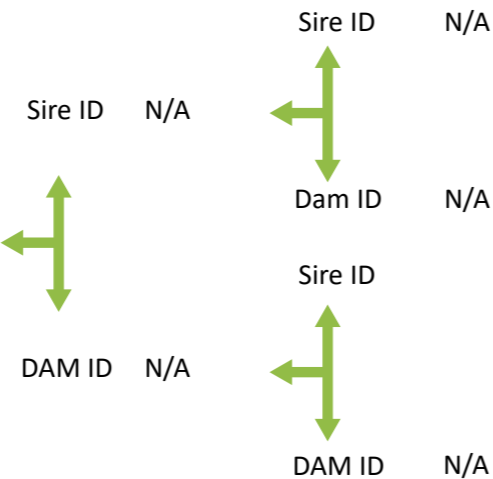


Recording no	Recording Date DD-MM-YYYY	Milk yield (Kg)			Fat%	Total Solids	Environmental Temp (celcius)	Forage Type
		Morning	Evening	Total				
1	11-Mar-18	7.147	6.514	13.661	6.1	15.278	32	Berseem
2	11-Apr-18	6.514	6.21	12.724	6.3	15.4	37	Berseem
3	11-May-18	6.147	5.124	11.361	6.2	15.4	42	Sorghum
4	11-Jun-18	5.321	5.189	10.51	6.5	15.278	44	Sorghum
5	11-Jul-18	4.419	4.489	8.908	6.4	15.522	43	Sorghum
6	11-Aug-18	4.187	4.198	8.385	6.7	15.522	42	Sorghum
7	11-Sep-18	3.549	3.145	6.694	6.8	15.644	38	Sorghum
8	11-Oct-18	3.178	3	6.178	7	15.644	34	Maize
9	11-Nov-18	2.36	2.14	4.5	7.1	16.498	33	Maize

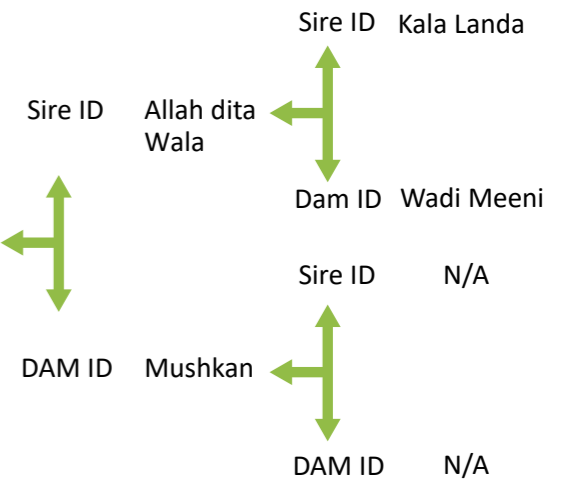
Performance History & Progeny Record

Performance History					Progeny Record		
Lactation no	Date of Calving MM-DD-YYYY	Date of Dry MM-DD-YYYY	Lactation Length	Milk yield (Lit.)	Calf ID	Sire ID	Sex
1	NA	NA	NA	NA	NA	NA	NA
2	NA	NA	NA	NA	NA	NA	NA
3	12-25-17				NA	NA	Male

International ID	Project ID	Buffalo Name	Breed	Date Of Birth
PKB-002-KS37-182	Tag#182	Balli	Nili Ravi	N/A



International ID	Project ID	Buffalo Name	Breed	Date Of Birth
PKB-002-KS37-183	Tag#183	Malang	Nili	13-08-2013



Current lactation performance		Current Lactation No			2nd			
Recording no	Recording Date DD-MM-YYYY	Milk yield (Kg)			Fat%	Total Solids	Environmental Temp (celcius)	Forage Type
		Morning	Evening	Total				
1	11-Mar-18	6.9	7.8	14.7	6.1	14.912	31	Berseem
2	11-Apr-18	7.5	7	14.5	6.3	15.156	38	Berseem
3	11-May-18	6.9	7.2	14.1	6.2	15.034	42	Sorghum
4	11-Jun-18	5.9	5.4	11.3	6.5	15.4	44	Sorghum
5	11-Jul-18	5.5	5.1	10.6	6.4	15.278	45	Sorghum
6	11-Aug-18	5.45	3.7	9.15	6.7	15.644	41	Sorghum
7	11-Sep-18	4.35	3.4	7.75	6.8	15.766	38	Sorghum
8	11-Oct-18	4	3.75	7.75	7	16.01	36	Maize
9	11-Nov-18	3.5	3	6.5	7.1	16.132	33	Maize

Current lactation performance		Current Lactation No			11th			
Recording no	Recording Date DD-MM-YYYY	Milk yield (Kg)			Fat%	Total Solids	Environmental Temp (celcius)	Forage Type
		Morning	Evening	Total				
1	11-Mar-18	8.315	8.178	16.493	6.1	15.278	32	Berseem
2	11-Apr-18	7.514	7.925	15.439	6.3	15.4	37	Berseem
3	11-May-18	6.31	7	13.31	6.2	15.4	42	Sorghum
4	11-Jun-18	5.214	6.314	11.528	6.5	15.278	44	Sorghum
5	11-Jul-18	4.914	5.214	10.128	6.4	15.522	43	Sorghum
6	11-Aug-18	4.178	4.417	8.595	6.7	15.522	42	Sorghum
7	11-Sep-18	3.547	4	7.547	6.8	15.644	38	Sorghum
8	11-Oct-18	3.14	3.514	6.654	7	15.644	34	Maize
9	11-Nov-18	2.17	2.41	4.58	7.1	16.498	33	Maize

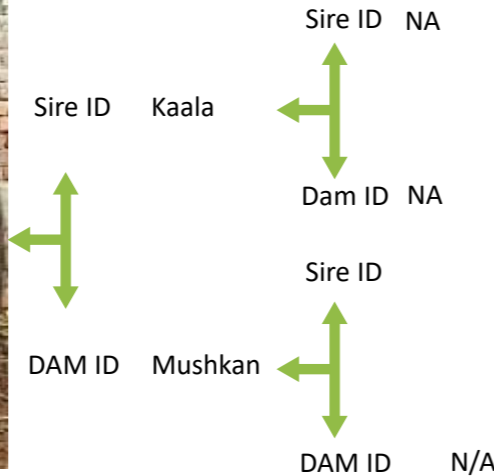
Performance History & Progeny Record

Performance History					Progeny Record		
Lactation no	Date of Calving MM-DD-YYYY	Date of Dry MM-DD-YYYY	Lactation Length	Milk yield (Lit.)	Calf ID	Sire ID	Sex
1	NA	NA	NA	NA	NA	NA	NA
2	NA	NA	NA	NA	NA	NA	NA
3	1-23-18				Bali	A-D Wala	Female

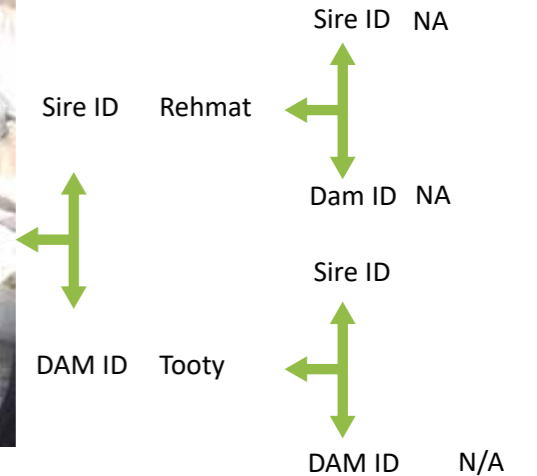
Performance History & Progeny Record

Performance History					Progeny Record		
Lactation no	Date of Calving MM-DD-YYYY	Date of Dry MM-DD-YYYY	Lactation Length	Milk yield (Lit.)	Calf ID	Sire ID	Sex
1	NA	NA	NA	NA	NA	NA	NA
2	NA	NA	NA	NA	NA	NA	NA
3	1-4-18				Bhala	A-D	Male

International ID	Project ID	Buffalo Name	Breed	Date Of Birth
PKB-002-KS37-184	Tag#184	Kaali chooti	Nili Ravi	N/A



International ID	Project ID	Buffalo Name	Breed	Date Of Birth
PKB-002-KS37-185	Tag#185	Chandi	Nili Ravi	NA



Current lactation performance		Current Lactation No			1st			
Recording no	Recording Date DD-MM-YYYY	Milk yield (Kg)			Fat%	Total Solids	Environmental Temp (celcius)	Forage Type
		Morning	Evening	Total				
1	11-Mar-18	5.87	6	11.387	6.1	15.278	32	Berseem
2	11-Apr-18	5.14	5.149	10.289	6.3	15.4	37	Berseem
3	11-May-18	4.95	4.678	9.628	6.2	15.4	42	Sorghum
4	11-Jun-18	4.26	4.678	9.26	6.5	15.278	44	Sorghum
5	11-Jul-18	3.87	5	8.084	6.4	15.522	43	Sorghum
6	11-Aug-18	3.214	4.214	7.114	6.7	15.522	42	Sorghum
7	11-Sep-18	3	3.9	6.647	6.8	15.644	38	Sorghum
8	11-Oct-18	2.97	3.647	6.17	7	15.644	34	Maize
9	11-Nov-18	2.741	2.5	5.241	7.1	16.498	33	Maize

Current lactation performance		Current Lactation No			6th			
Recording no	Recording Date DD-MM-YYYY	Milk yield (Kg)			Fat%	Total Solids	Environmental Temp (celcius)	Forage Type
		Morning	Evening	Total				
1	11-Mar-18	8.01	8.9	16.91	6.1	15.278	32	Berseem
2	11-Apr-18	8.9	8.1	17	6.3	15.4	37	Berseem
3	11-May-18	8.4	7.513	15.913	6.2	15.4	42	Sorghum
4	11-Jun-18	8.3	7.14	15.44	6.5	15.278	44	Sorghum
5	11-Jul-18	7.3	7.05	14.35	6.4	15.522	43	Sorghum
6	11-Aug-18	5.35	5.9	11.25	6.7	15.522	42	Sorghum
7	11-Sep-18	5.3	3.7	9	6.8	15.644	38	Sorghum
8	11-Oct-18	3.1	4	7.1	7	15.644	34	Maize
9	11-Nov-18	3	2	5	7.1	16.498	33	Maize

Performance History & Progeny Record

Performance History					Progeny Record		
Lactation no	Date of Calving MM-DD-YYYY	Date of Dry MM-DD-YYYY	Lactation Length	Milk yield (Lit.)	Calf ID	Sire ID	Sex
1	1-17-18	NA	NA	NA	Punj Thani	A-D	Female
2	NA	NA	NA	NA	NA	NA	NA
3	NA				NA	NA	NA

Performance History & Progeny Record

Performance History					Progeny Record		
Lactation no	Date of Calving MM-DD-YYYY	Date of Dry MM-DD-YYYY	Lactation Length	Milk yield (Lit.)	Calf ID	Sire ID	Sex
1	NA	NA	NA	17	Punj	A-D	Male
2	NA	NA	NA	17	NA	NA	Male
3	1-4-18				NA	AD-Wala	Female

KS-038

Ch. Muhammad Khan Bhatti



Farmer Detail

Name	Ch. Muhammad Khan Bhatti
Address	Mudky Dina Nath kasur
Contact No	0323 4431822
CNIC	35202-9566486-7

Buffaloes Detail

Adults	Heifers	Calves	Bull	Total
41	22	31	1	95

Star Marked And changed colour is current practice of farmer from below Table

Feeding system

NFS	Necessary feeding system	Total mixed ration @3% Body wieght
* HIFS	High input feeding system	Forage ad lib+ Silage/Hay+Concentrate+free water access
MIFS	Medium input feeding system	Forage ad lib+ occasional Concentrate+free water access
LIFS	Low input feeding system	Forage ad lib+ water access on offering
PIFS	Poor input feeding system	Grazing from communal land+ Water access on offering

Housing System

Excellent	Loose stall,Proper feeding manger+Free access to pound+excellent Ventilation+Bedding in resting area
* Good	Loose stall, proper feeding manger+Once a day access to pound+resting area+excellent ventilation
Above average	Loose stall, proper feeding manger+resting area+good ventilation
Average	Tie stall+proper feeding manger+Resting area+good ventilation
Poor	Tie stall+poor ventilation+ No resting area

International ID	Project ID	Buffalo Name	Breed	Date Of Birth
PKB-KS-002-038-160	Tag#160	Moorni	Nili-Ravi	9/4/2013

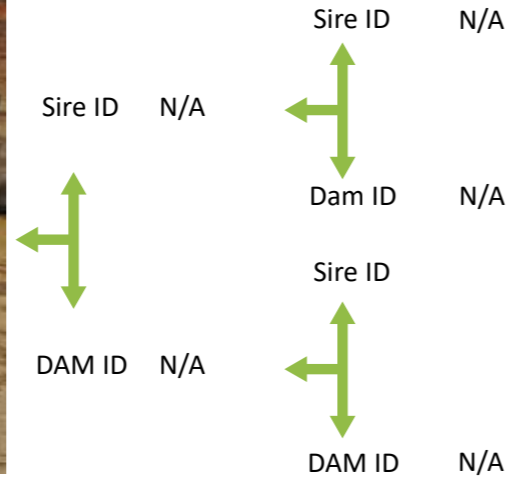


Recording no	Recording Date DD-MM-YYYY	Milk yield (Kg)			Fat%	Total Solids	Environmental Temp (celcius)	Forage Type
		Morning	Evening	Total				
1	29-Mar-18	8.214	8.14	16.354	6.1	14.912	31	Berssem
2	29-Apr-18	7.912	8	15.912	6	14.79	38	Berssem
3	29-May-18	6.5	7.214	13.714	6.4	15.278	42	Berssem
4	29-Jun-18	6.14	6	12.14	6.4	15.278	46	Sorghum
5	29-Jul-18	5.325	5.614	10.939	6.7	15.644	45	Sorghum
6	29-Aug-18	4.928	5.14	10.068	6.6	15.522	41	Sorghum
7	29-Sep-18	Nil	Nil	0	6.8	15.766	38	Sorghum
8	29-Oct-18	3.14	2.54	5.68	7	16.01	36	Maize
9	29-Nov-18	2.54	1.54	4.08	6.9	15.888	35	Maize

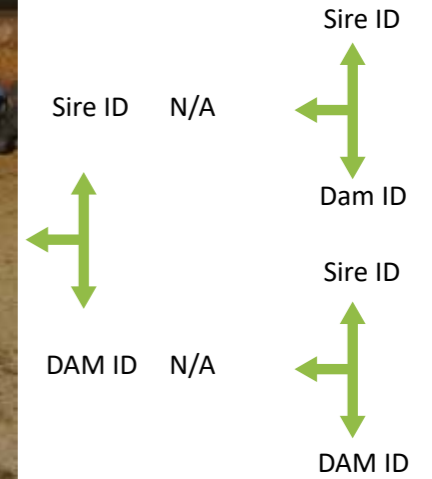
Performance History & Progeny Record

Performance History					Progeny Record		
Lactation no	Date of Calving MM-DD-YYYY	Date of Dry MM-DD-YYYY	Lactation Length	Milk yield (Lit.)	Calf ID	Sire ID	Sex
1	NA	NA	NA	NA	NA	NA	NA
2	NA					Four Star	Female
3	2/14/2018					BB-103	Female

International ID	Project ID	Buffalo Name	Breed	Date Of Birth
PKB-KS-002-038-161	Tag#161	preeto	Nili Ravi	N/A



International ID	Project ID	Buffalo Name	Breed	Date Of Birth
PKB-KS-002-038-162	Tag#162	Lehri	Nili-Ravi	



Current lactation performance		Current Lactation No			3rd			
Recording no	Recording Date DD-MM-YYYY	Milk yield (Kg)			Fat%	Total Solids	Environmental Temp (celcius)	Forage Type
		Morning	Evening	Total				
1	29-Mar-18	7.415	7.14	14.555	6.1	14.912	31	Berssem
2	29-Apr-18	6.814	7.365	14.179	6	14.79	38	Berssem
3	29-May-18	5.925	6.48	12.405	6.4	15.278	42	Berssem
4	29-Jun-18	4.365	5.314	9.679	6.4	15.278	46	Sorghum
5	29-Jul-18	4.514	5	9.514	6.7	15.644	45	Sorghum
6	29-Aug-18	Nil	8.321	8.321	6.6	15.522	41	Sorghum
7	29-Sep-18	3.48	Nil	3.48	6.8	15.766	38	Sorghum
8	29-Oct-18	2.14	3.415	5.555	7	16.01	36	Maize
9	29-Nov-18	1.54	2.63	4.17	6.9	15.888	35	Maize

Current lactation performance		Current Lactation No			2nd			
Recording no	Recording Date DD-MM-YYYY	Milk yield (Kg)			Fat%	Total Solids	Environmental Temp (celcius)	Forage Type
		Morning	Evening	Total				
1	29-Mar-18	5.514	6.504	12.018	6.1	14.912	31	Berssem
2	29-Apr-18	6.214	7.15	13.364	6	14.79	38	Berssem
3	29-May-18	Nil	8.498	8.498	6.4	15.278	42	Berssem
4	29-Jun-18	4.715	4.498	9.213	6.4	15.278	46	Sorghum
5	29-Jul-18	4.12	4	8.12	6.7	15.644	45	Sorghum
6	29-Aug-18	3.789	3.95	7.739	6.6	15.522	41	Sorghum
7	29-Sep-18	3.156	3	6.156	6.8	15.766	38	Sorghum
8	29-Oct-18	2.925	2.489	5.414	7	16.01	36	Maize
9	29-Nov-18	2.715	1.512	4.227	6.9	15.888	35	Maize

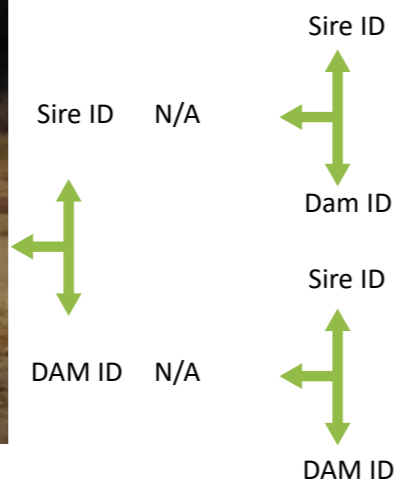
Performance History & Progeny Record

Performance History					Progeny Record		
Lactation no	Date of Calving MM-DD-YYYY	Date of Dry MM-DD-YYYY	Lactation Length	Milk yield (Lit.)	Calf ID	Sire ID	Sex
1	N/A	N/A	N/A	N/A	N/A	N/A	N/A
2	NA					NA	NA
3	1-14-18					Multani	Male

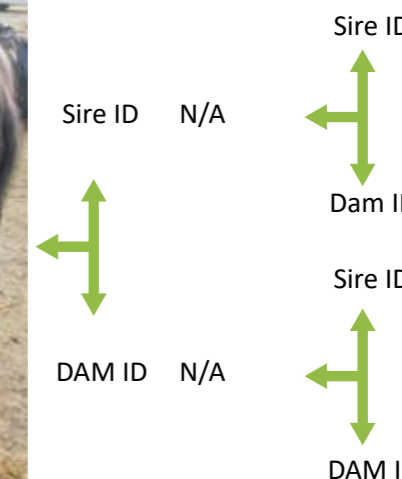
Performance History & Progeny Record

Performance History					Progeny Record		
Lactation no	Date of Calving MM-DD-YYYY	Date of Dry MM-DD-YYYY	Lactation Length	Milk yield (Lit.)	Calf ID	Sire ID	Sex
1	NA	NA	NA	NA	NA	NA	NA
2	NA	NA	NA	NA	NA	NA	NA
3	1-3-18				NA	QB-1007	Female

International ID	Project ID	Buffalo Name	Breed	Date Of Birth
PKB-KS-002-038-163	Tag#163	teeli	Nilli	NA



International ID	Project ID	Buffalo Name	Breed	Date Of Birth
PKB-KS-002-038-164	Tag#164	Balli	Nilli Ravi	N/A



Current lactation performance		Current Lactation No			2nd			
Recording no	Recording Date DD-MM-YYYY	Milk yield (Kg)			Fat%	Total Solids	Environmental Temp (celcius)	Forage Type
		Morning	Evening	Total				
1	29-Mar-18	7.54	7.11	14.65	6.2	15.034	32	Berseem
2	29-Apr-18	7.05	8.08	15.13	6.2	15.034	38	Berseem
3	29-May-18	5.9	6.854	12.754	6.3	15.156	42	Silage
4	29-Jun-18	5.2	6.57	11.77	6.4	15.278	44	Maize
5	29-Jul-18	5	6.23	11.23	6.5	15.4	44	Sorghum
6	29-Aug-18	4.54	5.34	9.88	6.8	15.766	39	Silage
7	29-Sep-18	3.7	4.9	8.6	6.9	15.888	38	Silage
8	29-Oct-18	4.2	4.97	9.17	6.9	15.888	35	Maize
9	29-Nov-18	3.9	3.24	7.14	7.1	16.132	32	Maize

Current lactation performance		Current Lactation No			3rd			
Recording no	Recording Date DD-MM-YYYY	Milk yield (Kg)			Fat%	Total Solids	Environmental Temp (celcius)	Forage Type
		Morning	Evening	Total				
1	29-Mar-18	7.321	7.514	14.835	6.1	14.912	31	Berssem
2	29-Apr-18	6.514	6.845	13.359	6	14.79	38	Berssem
3	29-May-18	6.18	7	13.18	6.4	15.278	42	Berssem
4	29-Jun-18	5.91	6.14	12.05	6.4	15.278	46	Sorghum
5	29-Jul-18	4.36	Nil	4.36	6.7	15.644	45	Sorghum
6	29-Aug-18	4.18	4.21	8.39	6.6	15.522	41	Sorghum
7	29-Sep-18	4	3.87	7.87	6.8	15.766	38	Sorghum
8	29-Oct-18	3.614	3.8	7.414	7	16.01	36	Maize
9	29-Nov-18	3.14	2.5	5.64	6.9	15.888	35	Maize

Performance History & Progeny Record

Performance History					Progeny Record		
Lactation no	Date of Calving MM-DD-YYYY	Date of Dry MM-DD-YYYY	Lactation Length	Milk yield (Lit.)	Calf ID	Sire ID	Sex
1	NA	NA	NA	NA	NA	NA	NA
2	NA	NA	NA	NA	NA	NA	NA
3	2-18-18				B-38	QB-1007	Female

Performance History & Progeny Record

Performance History					Progeny Record		
Lactation no	Date of Calving MM-DD-YYYY	Date of Dry MM-DD-YYYY	Lactation Length	Milk yield (Lit.)	Calf ID	Sire ID	Sex
1	NA	NA	NA	NA	NA	Manjo	NA
2	NA	NA	NA	NA	NA	Manjo	NA
3	12-18-17				NA	Lunda	Male

KS-039

Ch. Ihsan Illahi



Farmer Detail

Name	Ch. Ihsan Illahi
Address	mahimaar Dist Kasur
Contact No	0304-4004300
CNIC	35104-0429327-3

Buffaloes Detail

Adults	Heifers	Calves	Bull	Total
22	6	7	1	36

Star Marked And changed colour is current practice of farmer from below Table

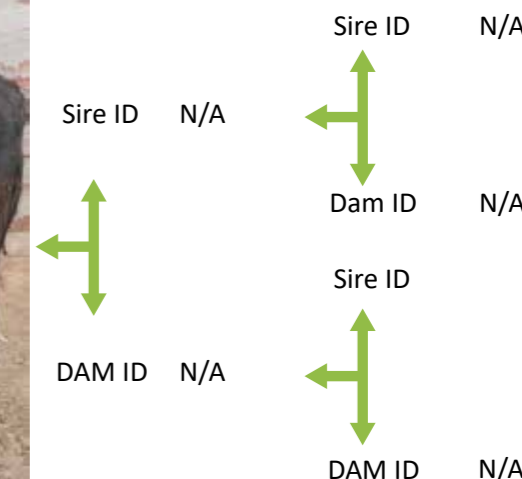
Feeding system

NFS	Necessary feeding system	Total mixed ration @3% Body wieght
HIFS	High input feeding system	Forage ad lib+ Silage/Hay+Concentrate+free water access
MIFS	Medium input feeding system	Forage ad lib+ occasional Concentrate+free water access
* LIFS	Low input feeding system	Forage ad lib+ water access on offering
PIFS	Poor input feeding system	Grazing from communal land+ Water access on offering

Housing System

Excellent	Loose stall,Proper feeding manger+Free access to pound+excellent Ventilation+Bedding in resting area
Good	Loose stall, proper feeding manger+Once a day access to pound+resting area+excellent ventilation
* Above average	Loose stall, proper feeding manger+resting area+good ventilation
Average	Tie stall+proper feeding manger+Resting area+good ventilation
Poor	Tie stall+poor ventilation+ No resting area

International ID	Project ID	Buffalo Name	Breed	Date Of Birth
PKB-KS-003-039-149	Tag#149	phullaan	Nili Ravi	NA

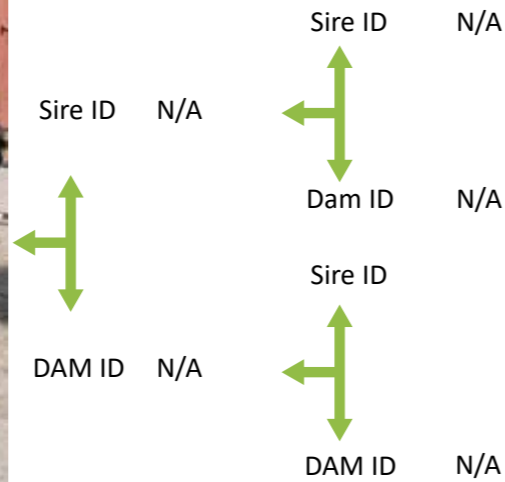


Recording no	Recording Date DD-MM-YYYY	Milk yield (Kg)			Fat%	Total Solids	Environmental Temp (celcius)	Forage Type
		Morning	Evening	Total				
1	26-Mar-18	6.5	6.3	12.8	6.1	14.912	32	Berseem
2	26-Apr-18	6.3	7	13.3	6.4	15.278	34	Berseem
3	26-May-18	6.1	6.5	12.6	6.5	15.4	42	Sorghum
4	26-Jun-18	5.7	5.8	11.5	6.5	15.278	44	Sorghum
5	26-Jul-18	5.2	5	10.2	6.8	15.522	45	Sorghum
6	26-Aug-18	4.4	4.7	9.1	7.1	15.522	44	Sorghum
7	26-Sep-18	4.9	5.1	10	7.4	15.644	38	Sorghum
8	26-Oct-18	3.2	3.9	7.1	7.8	15.644	35	Maize
9	26-Nov-18	2.4	3.5	5.9	7.8	16.498	31	Maize

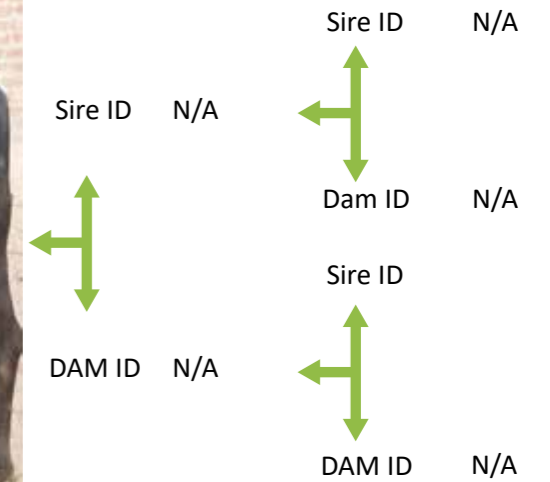
Performance History & Progeny Record

Performance History					Progeny Record		
Lactation no	Date of Calving MM-DD-YYYY	Date of Dry MM-DD-YYYY	Lactation Length	Milk yield (Lit.)	Calf ID	Sire ID	Sex
1	NA	NA	NA	NA	NA	NA	NA
2	NA	NA	NA	NA	NA	NA	NA
3	02-25-2018				NA	Rafi Wala	Female

International ID	Project ID	Buffalo Name	Breed	Date Of Birth
PKB-KS-003-039-279	Tag#279	Bhoe wali	Nili Ravi	NA



International ID	Project ID	Buffalo Name	Breed	Date Of Birth
PKB-KS-003-039-280	Tag#280	Shawon wali	Nili	NA



Current lactation performance		Current Lactation No			3rd	Fat%	Total Solids	Environmental Temp (celcius)	Forage Type
Recording no	Recording Date DD-MM-YYYY	Milk yield (Kg)							
		Morning	Evening	Total					
1	26-Mar-18	6.5	6.3	12.8	6.1	14.912	32	Berseem	
2	26-Apr-18	6.3	7	13.3	6.4	15.278	34	Berseem	
3	26-May-18	6.1	6.5	12.6	6.5	15.4	42	Sorghum	
4	26-Jun-18	5.7	5.8	11.5	6.5	15.278	44	Sorghum	
5	26-Jul-18	5.2	5	10.2	6.8	15.522	45	Sorghum	
6	26-Aug-18	4.4	4.7	9.1	7.1	15.522	44	Sorghum	
7	26-Sep-18	4.9	5.1	10	7.4	15.644	38	Sorghum	
8	26-Oct-18	3.2	3.9	7.1	7.8	15.644	35	Maize	
9	26-Nov-18	2.4	3.5	5.9	7.8	16.498	31	Maize	

Current lactation performance		Current Lactation No			3rd	Fat%	Total Solids	Environmental Temp (celcius)	Forage Type
Recording no	Recording Date DD-MM-YYYY	Milk yield (Kg)							
		Morning	Evening	Total					
1	26-Mar-18	7.47	7	14.47	6.1	14.912	32	Berseem	
2	26-Apr-18	7.231	6.514	13.745	6.4	15.278	34	Berseem	
3	26-May-18	6.311	6	12.311	6.5	15.4	42	Sorghum	
4	26-Jun-18	5.214	5.214	10.428	6.5	15.278	44	Sorghum	
5	26-Jul-18	4.921	4.184	9.105	6.8	15.522	45	Sorghum	
6	26-Aug-18	4.15	0	4.15	7.1	15.522	44	Sorghum	
7	26-Sep-18	3.61	3.214	6.824	7.4	15.644	38	Sorghum	
8	26-Oct-18	3.1	2.14	5.24	7.8	15.644	35	Maize	
9	26-Nov-18	2.5	1.52	4.02	7.8	16.498	31	Maize	

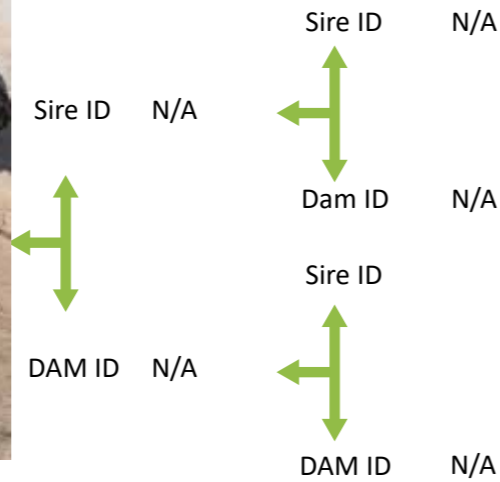
Performance History & Progeny Record

Performance History					Progeny Record		
Lactation no	Date of Calving MM-DD-YYYY	Date of Dry MM-DD-YYYY	Lactation Length	Milk yield (Lit.)	Calf ID	Sire ID	Sex
1	NA	NA	NA	NA	NA	NA	NA
2	NA	NA	NA	NA	NA	NA	NA
3	02-21-2018				NA	Rafi Wala	Male

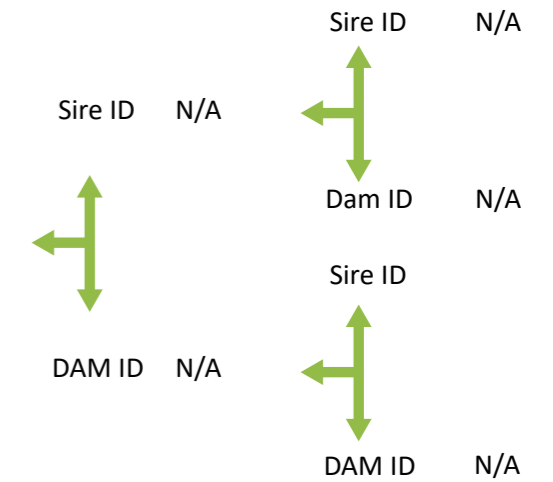
Performance History & Progeny Record

Performance History					Progeny Record		
Lactation no	Date of Calving MM-DD-YYYY	Date of Dry MM-DD-YYYY	Lactation Length	Milk yield (Lit.)	Calf ID	Sire ID	Sex
1	NA	NA	NA	NA	NA	NA	NA
2	NA	NA	NA	NA	NA	NA	NA
3	03-02-2018				NA	Rafi Wala	Male

International ID	Project ID	Buffalo Name	Breed	Date Of Birth
PKB-KS-003-039-281	Tag # 281	NA	Nili Ravi	NA



International ID	Project ID	Buffalo Name	Breed	Date Of Birth
PKB-KS-003-039-282	Tag # 282	NA	Nili Ravi	NA



Current lactation performance		Current Lactation No			2nd			
Recording no	Recording Date DD-MM-YYYY	Milk yield (Kg)			Fat%	Total Solids	Environmental Temp (celcius)	Forage Type
		Morning	Evening	Total				
1	26-Mar-18	5.1	5.5	10.6	6.1	14.912	32	Berseem
2	26-Apr-18	5.5	6	11.5	6.4	15.278	34	Berseem
3	26-May-18	5.1	5.8	10.9	6.5	15.4	42	Sorghum
4	26-Jun-18	4.7	5.4	10.1	6.5	15.278	44	Sorghum
5	26-Jul-18	4.3	4.9	9.2	6.8	15.522	45	Sorghum
6	26-Aug-18	4.1	4.7	8.8	7.1	15.522	44	Sorghum
7	26-Sep-18	3.5	2	5.5	7.4	15644	38	Sorghum
8	26-Oct-18	3.2	4	7.2	7.8	15.644	35	Maize
9	26-Nov-18	2	0	2	7.8	16.498	31	Maize

Current lactation performance		Current Lactation No			3rd			
Recording no	Recording Date DD-MM-YYYY	Milk yield (Kg)			Fat%	Total Solids	Environmental Temp (celcius)	Forage Type
		Morning	Evening	Total				
1	26-Mar-18	5.5	5.1	10.6	6.1	14.912	32	Berseem
2	26-Apr-18	6	5.5	11.5	6.4	15.278	34	Berseem
3	26-May-18	5.8	5.1	10.9	6.5	15.4	42	Sorghum
4	26-Jun-18	5.4	4.7	10.1	6.5	15.278	44	Sorghum
5	26-Jul-18	4.9	4.3	9.2	6.8	15.522	45	Sorghum
6	26-Aug-18	4.7	4.1	8.8	7.1	15.522	44	Sorghum
7	26-Sep-18	3.5	3.5	5.5	7.4	15644	38	Sorghum
8	26-Oct-18	4	3.2	7.2	7.8	15.644	35	Maize
9	26-Nov-18	0	2	2	7.8	16.498	31	Maize

Performance History & Progeny Record

Performance History					Progeny Record		
Lactation no	Date of Calving MM-DD-YYYY	Date of Dry MM-DD-YYYY	Lactation Length	Milk yield (Lit.)	Calf ID	Sire ID	Sex
1	NA	NA	NA	NA	NA	NA	NA
2	NA	NA	NA	NA	NA	NA	NA
3	03-3-2018				NA	Rafi Wala	Male

Performance History & Progeny Record

Performance History					Progeny Record		
Lactation no	Date of Calving MM-DD-YYYY	Date of Dry MM-DD-YYYY	Lactation Length	Milk yield (Lit.)	Calf ID	Sire ID	Sex
1	NA	NA	NA	NA	NA	NA	NA
2	NA	NA	NA	NA	NA	NA	NA
3	02-27-2018				NA	1023	male

KS-040

Rao Baber Jameel



Farmer Detail

Name	Rao Baber Jameel
Address	Iqbal Cot Dist Kasur
Contact No	0344-4444001
CNIC	35202-2686130-5

Buffaloes Detail

Adults	Heifers	Calves	Bull	Total
25	16	15	1	57

Star Marked And changed colour is current practice of farmer from below Table

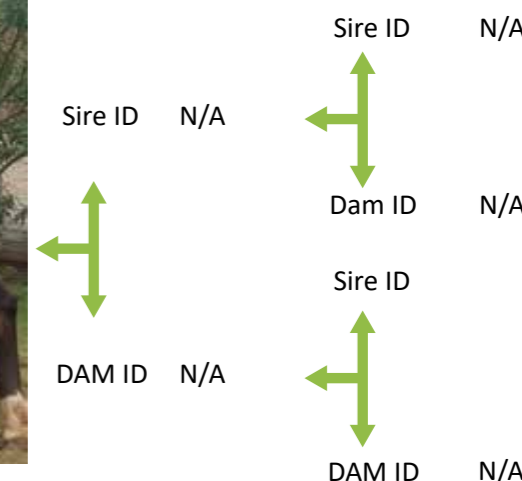
Feeding system

NFS	Necessary feeding system	Total mixed ration @3% Body wieght
HIFS	High input feeding system	Forage ad lib+ Silage/Hay+Concentrate+free water access
MIFS	Medium input feeding system	Forage ad lib+ occasional Concentrate+free water access
* LIFS	Low input feeding system	Forage ad lib+ water access on offering
PIFS	Poor input feeding system	Grazing from communal land+ Water access on offering

Housing System

Excellent	Loose stall,Proper feeding manger+Free access to pound+excellent Ventilation+Bedding in resting area
Good	Loose stall, proper feeding manger+Once a day access to pound+resting area+excellent ventilation
Above average	Loose stall, proper feeding manger+resting area+good ventilation
* Average	Tie stall+proper feeding manger+Resting area+good ventilation
Poor	Tie stall+poor ventilation+ No resting area

International ID	Project ID	Buffalo Name	Breed	Date Of Birth
PKB-KS-002-040-140	Tag#140	Wadi Balli	Nili Ravi	NA

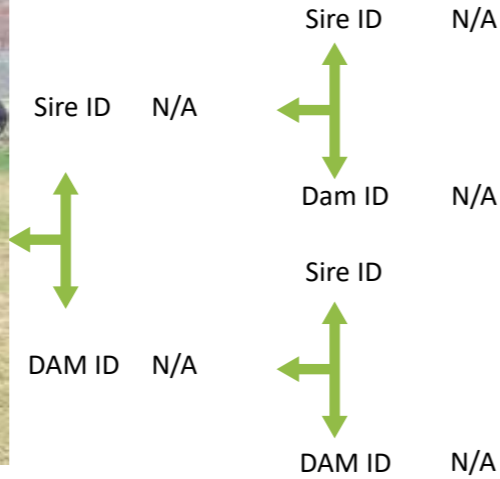


Recording no	Recording Date DD-MM-YYYY	Milk yield (Kg)			Fat%	Total Solids	Environmental Temp (celcius)	Forage Type
		Morning	Evening	Total				
1	12-Mar-18	6.453	6.1	12.553	6.2	14.912	36	Berseem
2	12-Apr-18	5.89	5.26	11.5	6.4	14.784	40	Berseem
3	12-May-18	6.1	6.5	12.6	6.5	15.15	42	Sorghum
4	12-Jun-18	5.7	5.8	11.5	6.5	15.16	44	Sorghum
5	12-Jul-18	5.2	5	10.2	6.6	15.272	44	Sorghum
6	12-Aug-18	4.4	4.7	9.1	6.8	15.394	40	Sorghum
7	12-Sep-18	4.9	5.1	10	6.7	15.394	41	Maize
8	12-Oct-18	3.2	3.9	7.1	6.8	15.516	36	Maize
9	12-Nov-18	2.4	3.5	5.9	6.9	15.638	34	Maize

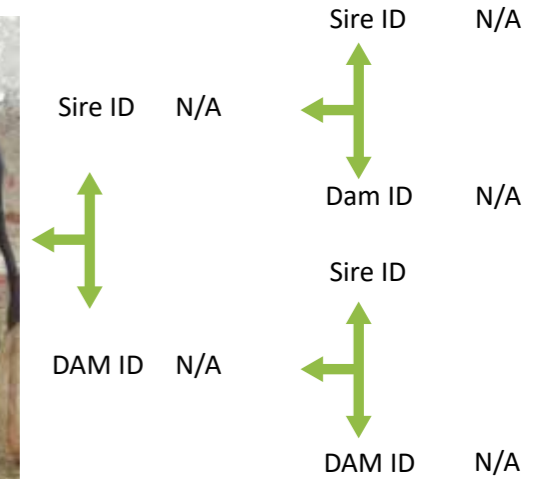
Performance History & Progeny Record

Performance History					Progeny Record		
Lactation no	Date of Calving MM-DD-YYYY	Date of Dry MM-DD-YYYY	Lactation Length	Milk yield (Lit.)	Calf ID	Sire ID	Sex
1	NA	NA	NA	NA	NA	NA	NA
2	NA	NA	NA	NA	NA	NA	NA
3	1-3-18				NA	Ishiq Wala	Female

International ID	Project ID	Buffalo Name	Breed	Date Of Birth
PKB-KS-002-040-166	Tag#166	Gulaav	Nili Ravi	NA



International ID	Project ID	Buffalo Name	Breed	Date Of Birth
PKB-KS-002-040-167	Tag#167	Moorat	Nili Ravi	NA



Current lactation performance		Current Lactation No			2nd			
Recording no	Recording Date DD-MM-YYYY	Milk yield (Kg)			Fat%	Total Solids	Environmental Temp (celcius)	Forage Type
		Morning	Evening	Total				
1	12-Mar-18	5.215	5.925	11.14	6.2	14.912	36	Berseem
2	12-Apr-18	4.921	5.265	10.186	6.4	14.784	40	Berseem
3	12-May-18	4.782	5	9.782	6.5	15.15	42	Sorghum
4	12-Jun-18	4.421	4.954	9.375	6.5	15.16	44	Sorghum
5	12-Jul-18	3.954	3.459	7.413	6.6	15.272	44	Sorghum
6	12-Aug-18	4.125	4	8.125	6.8	15.394	40	Sorghum
7	12-Sep-18	0	6.756	6.756	6.7	15.394	41	Maize
8	12-Oct-18	3.925	4.256	8.181	6.8	15.516	36	Maize
9	12-Nov-18	2.715	1.524	4.239	6.9	15.638	34	Maize

Current lactation performance		Current Lactation No			3rd			
Recording no	Recording Date DD-MM-YYYY	Milk yield (Kg)			Fat%	Total Solids	Environmental Temp (celcius)	Forage Type
		Morning	Evening	Total				
1	12-Mar-18	6.215	6.512	12.727	6.2	14.912	36	Berseem
2	12-Apr-18	5.715	6	11.715	6.4	14.784	40	Berseem
3	12-May-18	5.15	5.415	10.565	6.5	15.15	42	Sorghum
4	12-Jun-18	4.715	5.25	9.965	6.5	15.16	44	Sorghum
5	12-Jul-18	0	8.954	8.954	6.6	15.272	44	Sorghum
6	12-Aug-18	3.984	4.125	8.109	6.8	15.394	40	Sorghum
7	12-Sep-18	2.15	3.521	5.671	6.7	15.394	41	Maize
8	12-Oct-18	3.458	3.125	6.583	6.8	15.516	36	Maize
9	12-Nov-18	2.415	1.569	3.984	6.9	15.638	34	Maize

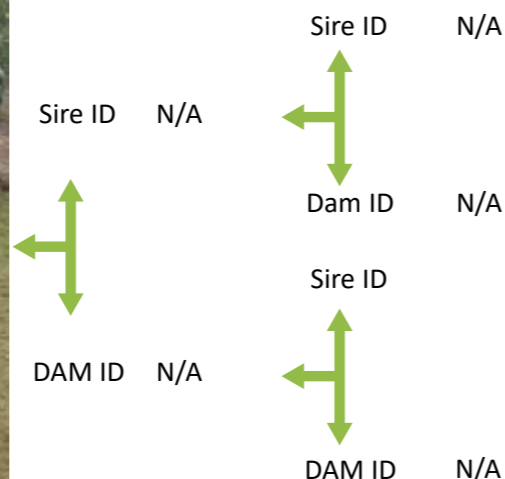
Performance History & Progeny Record

Performance History					Progeny Record		
Lactation no	Date of Calving MM-DD-YYYY	Date of Dry MM-DD-YYYY	Lactation Length	Milk yield (Lit.)	Calf ID	Sire ID	Sex
1	NA	NA	NA	NA	NA	NA	NA
2	2-15-18	NA	NA	NA	NA	Lunda	Male
3	NA				NA	NA	NA

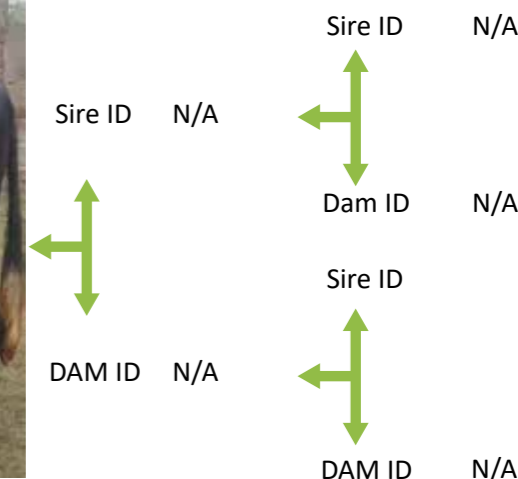
Performance History & Progeny Record

Performance History					Progeny Record		
Lactation no	Date of Calving MM-DD-YYYY	Date of Dry MM-DD-YYYY	Lactation Length	Milk yield (Lit.)	Calf ID	Sire ID	Sex
1	NA	NA	NA	NA	NA	NA	NA
2	NA	NA	NA	NA	NA	NA	NA
3	1-24-18				Rana Wala	NA	Female

International ID	Project ID	Buffalo Name	Breed	Date Of Birth
PKB-KS-002-040-168	Tag#168	Tilar	Nili Ravi	NA



International ID	Project ID	Buffalo Name	Breed	Date Of Birth
PKB-KS-002-040-169	Tag#169	Balli	Nili Ravi	NA



Current lactation performance		Current Lactation No			5th			
Recording no	Recording Date DD-MM-YYYY	Milk yield (Kg)			Fat%	Total Solids	Environmental Temp (celcius)	Forage Type
		Morning	Evening	Total				
1	12-Mar-18	5.2	5.1	10.3	6.2	14.912	36	Berseem
2	12-Apr-18	5.1	5.6	10.7	6.4	14.784	40	Berseem
3	12-May-18	4.6	4.9	9.5	6.5	15.15	42	Sorghum
4	12-Jun-18	4.2	5	9.2	6.5	15.16	44	Sorghum
5	12-Jul-18	3.7	4.2	7.9	6.6	15.272	44	Sorghum
6	12-Aug-18	4.9	4.9	9.8	6.8	15.394	40	Sorghum
7	12-Sep-18	4.3	3.6	7.9	6.7	15.394	41	Maize
8	12-Oct-18	3.1	3.7	6.8	6.8	15.516	36	Maize
9	12-Nov-18	2.6	3.4	6	6.9	15.638	34	Maize

Current lactation performance		Current Lactation No			3rd			
Recording no	Recording Date DD-MM-YYYY	Milk yield (Kg)			Fat%	Total Solids	Environmental Temp (celcius)	Forage Type
		Morning	Evening	Total				
1	12-Mar-18	7	7.1	14.1	6.2	14.912	36	Berseem
2	12-Apr-18	6.25	7.7	13.95	6.4	14.784	40	Berseem
3	12-May-18	5.14	7.2	12.34	6.5	15.15	42	Sorghum
4	12-Jun-18	4.98	6	10.98	6.5	15.16	44	Sorghum
5	12-Jul-18	4	5.2	9.2	6.6	15.272	44	Sorghum
6	12-Aug-18	3.9	5.1	9	6.8	15.394	40	Sorghum
7	12-Sep-18	3.4	4.2	7.6	6.7	15.394	41	Maize
8	12-Oct-18	4.2	0	4.2	6.8	15.516	36	Maize
9	12-Nov-18	0	4.1	4.1	6.9	15.638	34	Maize

Performance History & Progeny Record

Performance History					Progeny Record		
Lactation no	Date of Calving MM-DD-YYYY	Date of Dry MM-DD-YYYY	Lactation Length	Milk yield (Lit.)	Calf ID	Sire ID	Sex
1	NA	NA	NA	NA	NA	NA	NA
2	NA	NA	NA	NA	NA	NA	NA
3	1-21-18				Rana Wala	NA	Female

Performance History & Progeny Record

Performance History					Progeny Record		
Lactation no	Date of Calving MM-DD-YYYY	Date of Dry MM-DD-YYYY	Lactation Length	Milk yield (Lit.)	Calf ID	Sire ID	Sex
1	NA	NA	NA	NA	NA	NA	NA
2	NA	NA	NA	NA	NA	NA	NA
3	1-29-18				Rana Wala	NA	Female

PP-041

Mian Pervaiz Manzoor



Farmer Detail

Name	Mian Pervaiz Manzoor
Address	Pakpattan
Contact No	0301-7255677
CNIC	36402-0742494-1

Buffaloes Detail

Adults	Heifers	Calves	Bull	Total
20	11	19	1	51

Star Marked And changed colour is current practice of farmer from below Table

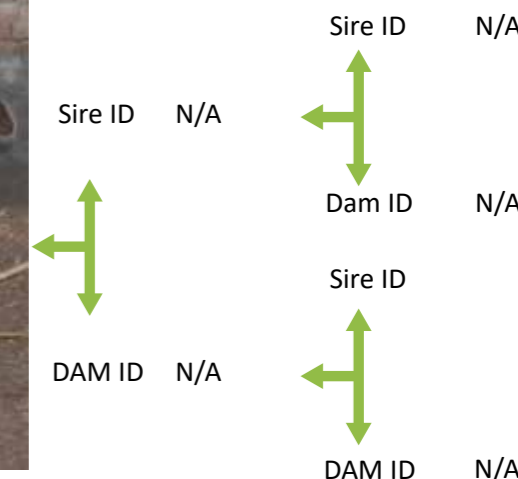
Feeding system

NFS	Necessary feeding system	Total mixed ration @3% Body wieght
HIFS	High input feeding system	Forage ad lib+ Silage/Hay+Concentrate+free water access
* MIFS	Medium input feeding system	Forage ad lib+ occasional Concentrate+free water access
LIFS	Low input feeding system	Forage ad lib+ water access on offering
PIFS	Poor input feeding system	Grazing from communal land+ Water access on offering

Housing System

Excellent	Loose stall,Proper feeding manger+Free access to pound+excellent Ventilation+Bedding in resting area
Good	Loose stall, proper feeding manger+Once a day access to pound+resting area+excellent ventilation
* Above average	Loose stall, proper feeding manger+resting area+good ventilation
Average	Tie stall+proper feeding manger+Resting area+good ventilation
Poor	Tie stall+poor ventilation+ No resting area

International ID	Project ID	Buffalo Name	Breed	Date Of Birth
PKB-PP-003-041-116	Tag#116	buri mali	Nili	NA

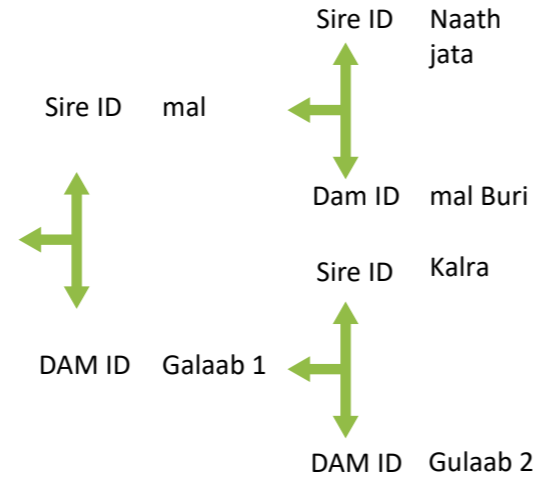


Recording no	Recording Date DD-MM-YYYY	Milk yield (Kg)			Fat%	Total Solids	Environmental Temp (celcius)	Forage Type
		Morning	Evening	Total				
1	17-Mar-18	7.8	6.9	14.7	6.2	14.662	36	Berseem
2	17-Apr-18	6.5	6	12.5	6.4	14.784	40	Berseem
3	17-May-18	5.5	6.9	12.4	6.5	15.15	42	Sorghum
4	17-Jun-18	5.02	5.9	10.92	6.5	15.16	44	Sorghum
5	17-Jul-18	4.9	5.5	10.4	6.6	15.272	44	Sorghum
6	17-Aug-18	3.7	4.9	8.6	6.8	15.394	40	Sorghum
7	17-Sep-18	3.4	3.5	6.9	6.7	15.394	41	Maize
8	17-Oct-18	3.75	3	6.75	6.8	15.516	36	Maize
9	17-Nov-18	3	3	6	6.9	15.638	34	Maize

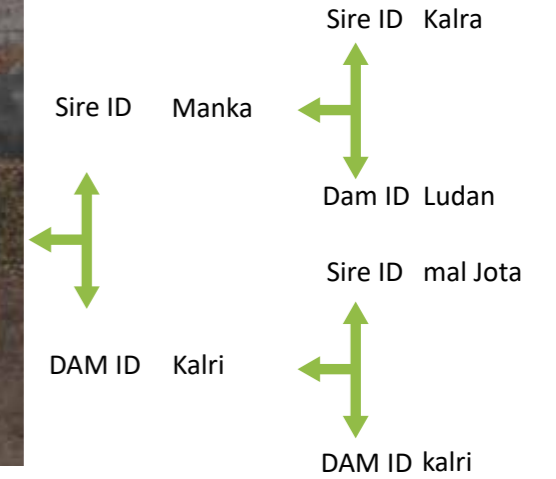
Performance History & Progeny Record

Performance History					Progeny Record		
Lactation no	Date of Calving MM-DD-YYYY	Date of Dry MM-DD-YYYY	Lactation Length	Milk yield (Lit.)	Calf ID	Sire ID	Sex
1	NA	NA	NA	NA	NA	NA	NA
2	NA	NA	NA	NA	NA	NA	NA
3	1-14-18				NA	Lunda	Male

International ID	Project ID	Buffalo Name	Breed	Date Of Birth
PKB-PP-003-041-117	Tag#117	Gulaab	Nili	NA



International ID	Project ID	Buffalo Name	Breed	Date Of Birth
PKB-PP-003-041-118	Tag#118	Teeli	Nili	NA



Current lactation performance		Current Lactation No			2nd	Fat%	Total Solids	Environmental Temp (celcius)	Forage Type
Recording no	Recording Date DD-MM-YYYY	Milk yield (Kg)							
		Morning	Evening	Total					
1	17-Mar-18	6.9	7.8	14.7	6.2	14.662	36	Berseem	
2	17-Apr-18	7.5	7	14.5	6.4	14.784	40	Berseem	
3	17-May-18	6.9	7.2	14.1	6.5	15.15	42	Sorghum	
4	17-Jun-18	5.9	5.4	11.3	6.5	15.16	44	Sorghum	
5	17-Jul-18	5.5	5.1	10.6	6.6	15.272	44	Sorghum	
6	17-Aug-18	5.45	3.7	9.15	6.8	15.394	40	Sorghum	
7	17-Sep-18	4.35	3.4	7.75	6.7	15.394	41	Maize	
8	17-Oct-18	4	3.75	7.75	6.8	15.516	36	Maize	
9	17-Nov-18	3.5	3	6.5	6.9	15.638	34	Maize	

Current lactation performance		Current Lactation No			2nd	Fat%	Total Solids	Environmental Temp (celcius)	Forage Type
Recording no	Recording Date DD-MM-YYYY	Milk yield (Kg)							
		Morning	Evening	Total					
1	17-Mar-18	8.6	7.85	16.45	6.2	14.662	36	Berseem	
2	17-Apr-18	8.2	8.45	16.65	6.4	14.784	40	Berseem	
3	17-May-18	7.6	8	15.6	6.5	15.15	42	Sorghum	
4	17-Jun-18	6.6	7.5	14.1	6.5	15.16	44	Sorghum	
5	17-Jul-18	6.6	7.45	15.05	6.6	15.272	44	Sorghum	
6	17-Aug-18	4.5	6.5	11	6.8	15.394	40	Sorghum	
7	17-Sep-18	4.6	6.45	11.05	6.7	15.394	41	Maize	
8	17-Oct-18	3.6	4.1	7.7	6.8	15.516	36	Maize	
9	17-Nov-18	2.2	3.5	5.7	6.9	15.638	34	Maize	

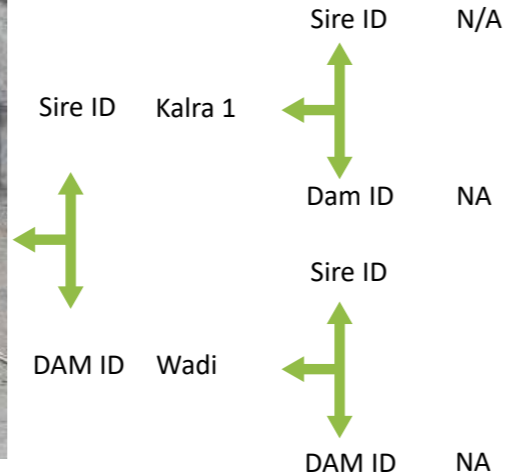
Performance History & Progeny Record

Performance History					Progeny Record		
Lactation no	Date of Calving MM-DD-YYYY	Date of Dry MM-DD-YYYY	Lactation Length	Milk yield (Lit.)	Calf ID	Sire ID	Sex
1	NA	NA	NA	NA	NA	Saeed wala	Female
2	2-29-18	NA	NA	NA	NA	Saeed wala	Female
3	NA				NA	NA	Male

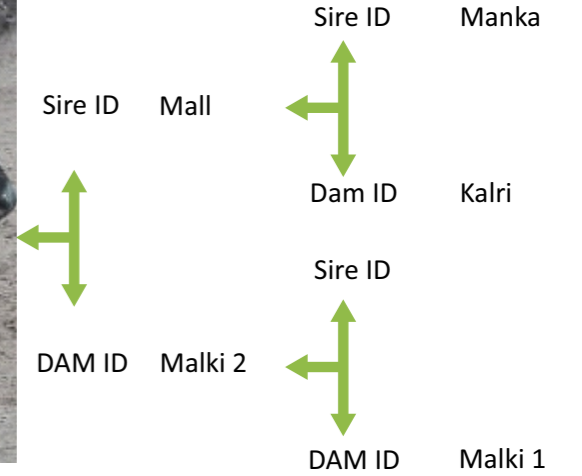
Performance History & Progeny Record

Performance History					Progeny Record		
Lactation no	Date of Calving MM-DD-YYYY	Date of Dry MM-DD-YYYY	Lactation Length	Milk yield (Lit.)	Calf ID	Sire ID	Sex
1	NA	NA	NA	12	NA	Saeed	Female
2	1-11-18	NA	NA	NA	NA	Saeed	Female
3	NA				NA	NA	NA

International ID	Project ID	Buffalo Name	Breed	Date Of Birth
PKB-PP-003-041-119	Tag#119	Maanki	Nili	NA



International ID	Project ID	Buffalo Name	Breed	Date Of Birth
PKB-PP-003-041-120	Tag#120	Malki	Nili	NA



Current lactation performance		Current Lactation No			1st			
Recording no	Recording Date DD-MM-YYYY	Milk yield (Kg)			Fat%	Total Solids	Environmental Temp (celcius)	Forage Type
		Morning	Evening	Total				
1	17-Mar-18	6.6	6.2	12.8	6.2	14.662	36	Berseem
2	17-Apr-18	7.2	7.4	14.6	6.4	14.784	40	Berseem
3	17-May-18	8.8	7.25	16.05	6.5	15.15	42	Sorghum
4	17-Jun-18	8.1	8.8	16.9	6.5	15.16	44	Sorghum
5	17-Jul-18	8.2	8.7	16.9	6.6	15.272	44	Sorghum
6	17-Aug-18	5.35	5.4	10.75	6.8	15.394	40	Sorghum
7	17-Sep-18	5.3	5.25	10.55	6.7	15.394	41	Maize
8	17-Oct-18	3.1	5	8.1	6.8	15.516	36	Maize
9	17-Nov-18	3	4.5	7.5	6.9	15.638	34	Maize

Current lactation performance		Current Lactation No			2nd			
Recording no	Recording Date DD-MM-YYYY	Milk yield (Kg)			Fat%	Total Solids	Environmental Temp (celcius)	Forage Type
		Morning	Evening	Total				
1	17-Mar-18	8.3	9	17.3	6.2	14.662	36	Berseem
2	17-Apr-18	9.49	9.64	19.13	6.4	14.784	40	Berseem
3	17-May-18	8.675	8.88	17.655	6.5	15.15	42	Sorghum
4	17-Jun-18	7.5	8.3	15.8	6.5	15.16	44	Sorghum
5	17-Jul-18	7.45	7.5	14.95	6.6	15.272	44	Sorghum
6	17-Aug-18	4.75	5.05	9.8	6.8	15.394	40	Sorghum
7	17-Sep-18	6	5.35	11.35	6.7	15.394	41	Maize
8	17-Oct-18	3.535	3.75	7.285	6.8	15.516	36	Maize
9	17-Nov-18	3	2.5	5.5	6.9	15.638	34	Maize

Performance History & Progeny Record

Performance History					Progeny Record		
Lactation no	Date of Calving MM-DD-YYYY	Date of Dry MM-DD-YYYY	Lactation Length	Milk yield (Lit.)	Calf ID	Sire ID	Sex
1	2-17-18	NA	NA	NA	NA	Saeed	Female
2	NA	NA	NA	NA	NA	NA	NA
3	NA				NA	NA	NA

Performance History & Progeny Record

Performance History					Progeny Record		
Lactation no	Date of Calving MM-DD-YYYY	Date of Dry MM-DD-YYYY	Lactation Length	Milk yield (Lit.)	Calf ID	Sire ID	Sex
1	1-6-18	NA	NA	NA	NA	Saeed	Female
2	NA	NA	NA	NA	NA	NA	NA
3	NA				NA	NA	NA

PP-042

Syed Hassan Nawaz shah



Farmer Detail

Name	Syed Hassan Nawaz shah
Address	basti lal hussain shah, Noora Rath, Tehsil Arifwala District Pakpattan
Contact No	0300-8756501
CNIC	36401-6645392-1

Buffaloes Detail

Adults	Heifers	Calves	Bull	Total
21	14	10	1	46

Star Marked And changed colour is current practice of farmer from below Table

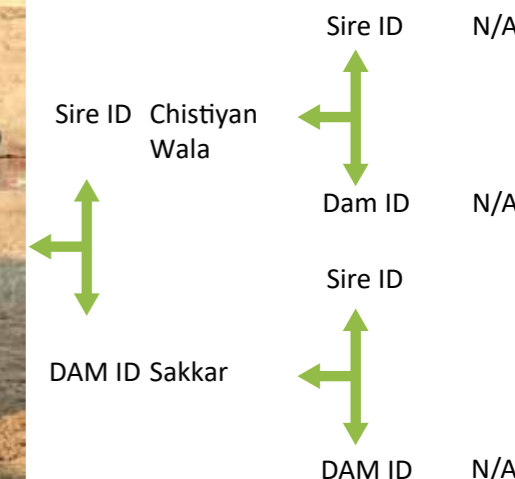
Feeding system

NFS	Necessary feeding system	Total mixed ration @3% Body wieght
HIFS	High input feeding system	Forage ad lib+ Silage/Hay+Concentrate+free water access
* MIFS	Medium input feeding system	Forage ad lib+ occasional Concentrate+free water access
LIFS	Low input feeding system	Forage ad lib+ water access on offering
PIFS	Poor input feeding system	Grazing from communal land+ Water access on offering

Housing System

Excellent	Loose stall, Proper feeding manger+Free access to pound+excellent Ventilation+Bedding in resting area
Good	Loose stall, proper feeding manger+Once a day access to pound+resting area+excellent ventilation
* Above average	Loose stall, proper feeding manger+resting area+good ventilation
Average	Tie stall+proper feeding manger+Resting area+good ventilation
Poor	Tie stall+poor ventilation+ No resting area

International ID	Project ID	Buffalo Name	Breed	Date Of Birth
PKB-PP-003-042-073	Tag#73	Sahri	Nili	NA

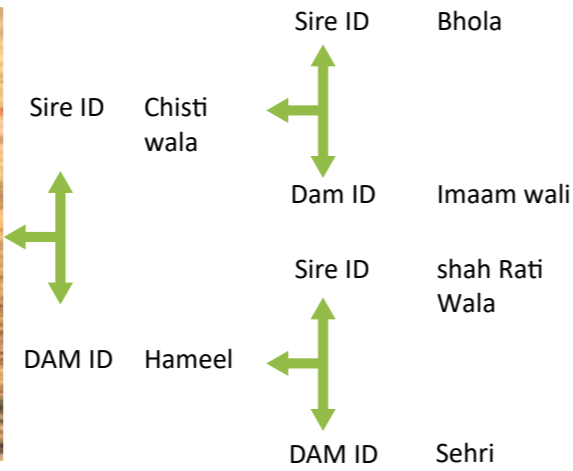


Recording no	Recording Date DD-MM-YYYY	Milk yield (Kg)			Fat%	Total Solids	Environmental Temp (celcius)	Forage Type
		Morning	Evening	Total				
1	12-Mar-18	6.1	5.6	11.7	6.2	15.034	36	Berseem
2	12-Apr-18	5.7	5.6	11.3	6	14.784	40	Berseem
3	12-May-18	5.1	4.7	9.8	6.3	15.15	42	Sorghum
4	12-Jun-18	4.9	4.3	9.2	6.5	15.16	44	Sorghum
5	12-Jul-18	4.1	4	8.1	6.9	15.272	44	Sorghum
6	12-Aug-18	4.4	3.5	7.9	7	15.394	40	Maize
7	12-Sep-18	3.1	2.5	5.6	6.9	15.394	41	Maize
8	12-Oct-18	2.4	3	5.4	6.9	15.516	36	Maize
9	12-Nov-18	2.1	0	2.1	7.5	15.638	34	Maize

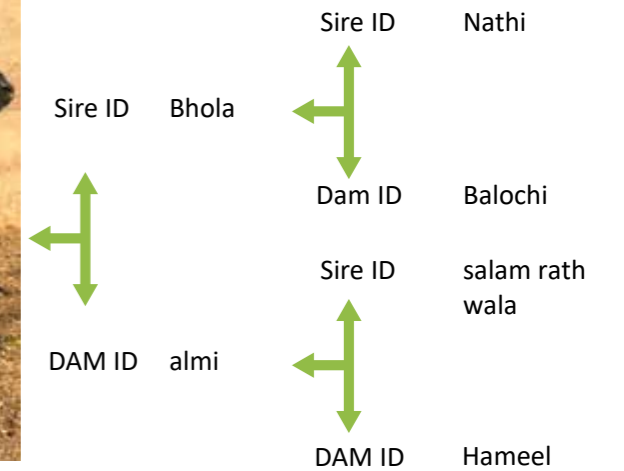
Performance History & Progeny Record

Performance History					Progeny Record		
Lactation no	Date of Calving MM-DD-YYYY	Date of Dry MM-DD-YYYY	Lactation Length	Milk yield (Lit.)	Calf ID	Sire ID	Sex
1	NA	NA	NA	NA	NA	NA	NA
2	NA	NA	NA	NA	NA	NA	NA
3	02-04-2018				NA	Jawad wala	Male

International ID	Project ID	Buffalo Name	Breed	Date Of Birth
PKB-PP-003-042-074	Tag#74	Rani	Nili	NA



International ID	Project ID	Buffalo Name	Breed	Date Of Birth
PKB-PP-003-042-075	Tag#75	Patoli	Nili	NA



Current lactation performance		Current Lactation No			5th	Total Solids	Environmental Temp (celcius)	Forage Type
Recording no	Recording Date DD-MM-YYYY	Milk yield (Kg)			Fat%			
		Morning	Evening	Total				
1	12-Mar-18	7.9	7.3	15.2	6.2	15.034	35	Berseem
2	12-Apr-18	6.5	6	12.5	6	14.79	38	Berseem
3	12-May-18	6.1	5.4	11.5	6.3	15.156	40	Sorghum
4	12-Jun-18	4.1	5.2	9.3	6.5	15.4	43	Sorghum
5	12-Jul-18	5.7	5.1	10.8	6.9	15.888	45	Sorghum
6	12-Aug-18	2.1	3.5	5.6	7	16.01	41	Maize
7	12-Sep-18	4.9	4.1	9	6.9	15.888	38	Maize
8	12-Oct-18	4.1	4.7	8.8	6.9	15.888	36	Maize
9	12-Nov-18	2.4	4.1	6.5	7.5	16.62	31	Maize

Current lactation performance		Current Lactation No			2nd	Total Solids	Environmental Temp (celcius)	Forage Type
Recording no	Recording Date DD-MM-YYYY	Milk yield (Kg)			Fat%			
		Morning	Evening	Total				
1	12-Mar-18	7.4	7.1	14.5	6.2	15.034	36	Berseem
2	12-Apr-18	7.1	7.4	14.5	6	14.79	40	Berseem
3	12-May-18	6.5	5.5	12	6.3	15.156	42	Sorghum
4	12-Jun-18	5.2	5.7	10.9	6.5	15.4	44	Sorghum
5	12-Jul-18	5.1	4.2	9.3	6.9	15.888	44	Sorghum
6	12-Aug-18	3.9	4.1	8	7	16.01	40	Maize
7	12-Sep-18	2.5	3.2	5.7	6.9	15.888	41	Maize
8	12-Oct-18	1.5	2.4	3.9	6.9	15.888	36	Maize
9	12-Nov-18	0	4.1	4.1	7.5	16.62	31	Maize

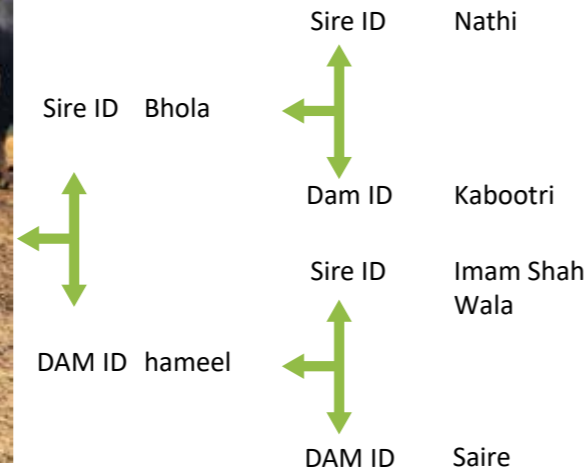
Performance History & Progeny Record

Performance History					Progeny Record		
Lactation no	Date of Calving MM-DD-YYYY	Date of Dry MM-DD-YYYY	Lactation Length	Milk yield (Lit.)	Calf ID	Sire ID	Sex
1	NA	NA	NA	16	NA	Balochi Wala	Female
2	NA	NA	NA	17	NA	Balochi Wala	Male
3	1-4-18				NA	Salam rath wala	Male

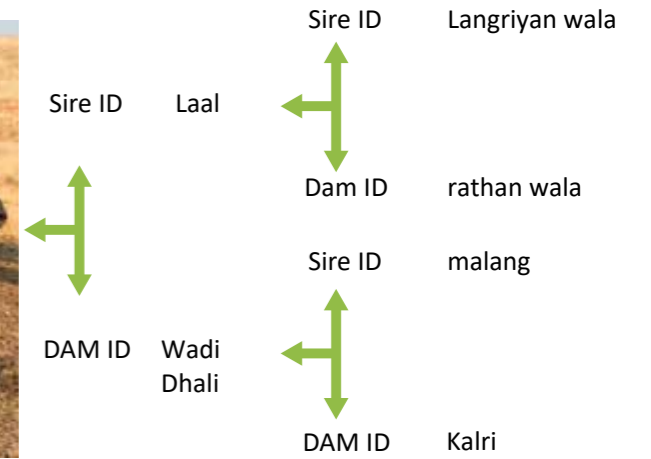
Performance History & Progeny Record

Performance History					Progeny Record		
Lactation no	Date of Calving MM-DD-YYYY	Date of Dry MM-DD-YYYY	Lactation Length	Milk yield (Lit.)	Calf ID	Sire ID	Sex
1	NA	NA	NA	13	NA	Jawad wala	Female
2	NA	NA	NA	0	NA	Jawad wala	Male
3							

International ID	Project ID	Buffalo Name	Breed	Date Of Birth
PKB-PP-003-042-078	Tag#78	Miyar	Nili	22-06-2012



International ID	Project ID	Buffalo Name	Breed	Date Of Birth
PKB-PP-003-042-079	Tag#79	Dhali	Nili	NA



Current lactation performance		Current Lactation No			2nd	Total Solids	Environmental Temp (celcius)	Forage Type
Recording no	Recording Date DD-MM-YYYY	Milk yield (Kg)			Fat%			
		Morning	Evening	Total				
1	12-Mar-18	6.5	6.1	12.6	6.2	15.034	35	Berseem
2	12-Apr-18	6.1	6.7	12.8	6	14.79	38	Berseem
3	12-May-18	5.4	5.6	11	6.3	15.156	40	Sorghum
4	12-Jun-18	5	5.8	10.8	6.5	15.4	43	Sorghum
5	12-Jul-18	4.7	4.7	9.4	6.9	15.888	45	Sorghum
6	12-Aug-18	4.2	5.1	9.3	7	16.01	41	Maize
7	12-Sep-18	3.5	4.8	8.3	6.9	15.888	38	Maize
8	12-Oct-18	3.1	4.6	7.7	6.9	15.888	36	Maize
9	12-Nov-18	3	4	7	7.5	16.62	31	Maize

Current lactation performance		Current Lactation No			2nd	Total Solids	Environmental Temp (celcius)	Forage Type
Recording no	Recording Date DD-MM-YYYY	Milk yield (Kg)			Fat%			
		Morning	Evening	Total				
1	12-Mar-18	5.1	5	10.1	6.2	15.034	35	Berseem
2	12-Apr-18	4.9	4.1	9	6	14.79	38	Berseem
3	12-May-18	4.2	4	8.2	6.3	15.156	40	Sorghum
4	12-Jun-18	4	4.4	8.4	6.5	15.4	43	Sorghum
5	12-Jul-18	3.7	4	7.7	6.9	15.888	45	Sorghum
6	12-Aug-18	4	3.5	7.5	7	16.01	41	Maize
7	12-Sep-18	3.1	3.9	7	6.9	15.888	38	Maize
8	12-Oct-18	3	4	7	6.9	15.888	36	Maize
9	12-Nov-18	2.1	3	5.1	7.5	16.62	31	Maize

Performance History & Progeny Record

Performance History					Progeny Record		
Lactation no	Date of Calving MM-DD-YYYY	Date of Dry MM-DD-YYYY	Lactation Length	Milk yield (Lit.)	Calf ID	Sire ID	Sex
1	NA	NA	NA	13	NA	Daali	Male
2	NA	NA	NA	15	NA	Bola	Male
3	1-26-18				NA	Allah Jaway	NA

Performance History & Progeny Record

Performance History					Progeny Record		
Lactation no	Date of Calving MM-DD-YYYY	Date of Dry MM-DD-YYYY	Lactation Length	Milk yield (Lit.)	Calf ID	Sire ID	Sex
1	1-29-18	NA	NA	NA	NA	Salam	Male
2	NA	NA	NA	NA	NA	NA	NA
3	NA				NA	NA	NA

PP-043

Syed Rafee Shah



Farmer Detail

Name	Syed Rafee Shah
Address	Chack Fareed Shah Chowk Marla PakPattan
Contact No	0345-5589757
CNIC	46401-2560827-5

Buffaloes Detail

Adults	Heifers	Calves	Bull	Total
45	30	25	2	102

Star Marked And changed colour is current practice of farmer from below Table

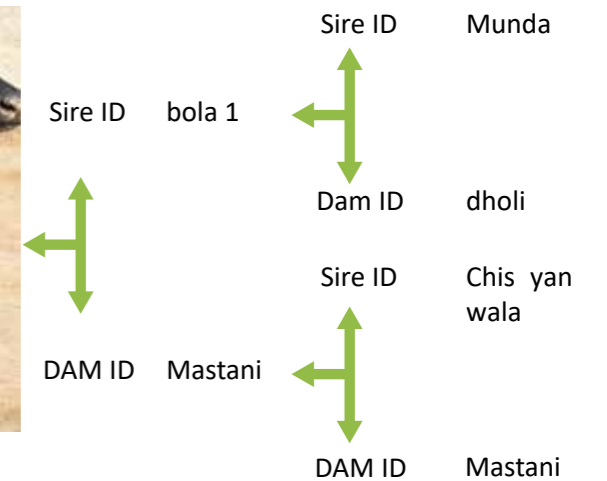
Feeding system

NFS	Necessary feeding system	Total mixed ration @3% Body wieght
HIFS	High input feeding system	Forage ad lib+ Silage/Hay+Concentrate+free water access
* MIFS	Medium input feeding system	Forage ad lib+ occasional Concentrate+free water access
LIFS	Low input feeding system	Forage ad lib+ water access on offering
PIFS	Poor input feeding system	Grazing from communal land+ Water access on offering

Housing System

Excellent	Loose stall,Proper feeding manger+Free access to pound+excellent Ventilation+Bedding in resting area
Good	Loose stall, proper feeding manger+Once a day access to pound+resting area+excellent ventilation
* Above average	Loose stall, proper feeding manger+resting area+good ventilation
Average	Tie stall+proper feeding manger+Resting area+good ventilation
Poor	Tie stall+poor ventilation+ No resting area

International ID	Project ID	Buffalo Name	Breed	Date Of Birth
PKB-PP-003-043-011	Tag#11	Mastani	Nili	N/A

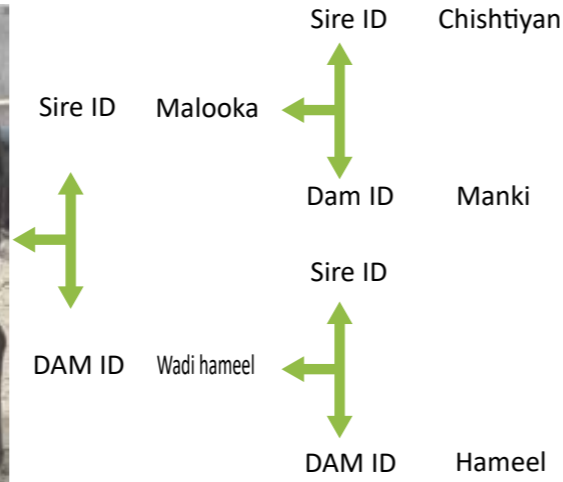


Recording no	Recording Date DD-MM-YYYY	Milk yield (Kg)			Fat%	Total Solids	Environmental Temp (celcius)	Forage Type
		Morning	Evening	Total				
1	25-Mar-18	7.145	7.514	14.659	6.1	14.912	32	Berssem
2	25-Apr-18	6.514	6.954	13.468	6.4	15.278	34	Berssem
3	25-May-18	5.168	5.408	10.576	6.5	15.4	40	Berssem
4	25-Jun-18	4.958	5.148	10.106	6.5	15.4	41	Sorghum
5	25-Jul-18	4.715	4.925	9.64	6.8	15.766	45	Sorghum
6	25-Aug-18	4.15	4.158	8.308	7.1	16.132	44	Sorghum
7	25-Sep-18	3.954	3.847	7.801	7.4	16.498	38	Sorghum
8	25-Oct-18	3.25	2.914	6.164	7.8	16.986	35	Maize
9	25-Nov-18	2.48	1.514	3.994	7.8	16.986	31	Maize

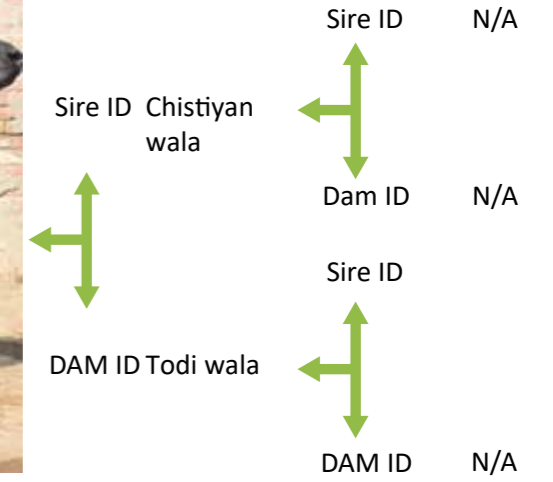
Performance History & Progeny Record

Performance History					Progeny Record		
Lactation no	Date of Calving MM-DD-YYYY	Date of Dry MM-DD-YYYY	Lactation Length	Milk yield (Lit.)	Calf ID	Sire ID	Sex
1	N/A	N/A	N/A	N/A	12 Per Day	jawad Shah wala	N/A
2	1-07-18					N/A	Female
3							

International ID	Project ID	Buffalo Name	Breed	Date Of Birth
PKB-PP-003-043-012	Tag#12	Hameel	Nili-Ravi	N/A



International ID	Project ID	Buffalo Name	Breed	Date Of Birth
PKB-PP-003-043-139	Tag#139	Todi	Nili	N/A



Current lactation performance		Current Lactation No			3rd			
Recording no	Recording Date DD-MM-YYYY	Milk yield (Kg)			Fat%	Total Solids	Environmental Temp (celcius)	Forage Type
		Morning	Evening	Total				
1	25-Mar-18	7.415	7.924	15.339	6.1	14.912	32	Berssem
2	25-Apr-18	6.514	7.15	13.664	6.4	15.278	34	Berssem
3	25-May-18	5.814	6.321	12.135	6.5	15.4	40	Berssem
4	25-Jun-18	5.148	5.14	10.288	6.5	15.4	41	Sorghum
5	25-Jul-18	4.924	5.147	10.071	6.8	15.766	45	Sorghum
6	25-Aug-18	Nil	8.914	8.914	7.1	16.132	44	Sorghum
7	25-Sep-18	3.814	4.17	7.984	7.4	16.498	38	Sorghum
8	25-Oct-18	3.14	4	7.14	7.8	16.986	35	Maize
9	25-Nov-18	2.365	2.54	4.905	7.8	16.986	31	Maize

Current lactation performance		Current Lactation No			1st			
Recording no	Recording Date DD-MM-YYYY	Milk yield (Kg)			Fat%	Total Solids	Environmental Temp (celcius)	Forage Type
		Morning	Evening	Total				
1	25-Mar-18	5.21	5.5	10.71	6.1	14.912	32	Berssem
2	25-Apr-18	4.91	5.21	10.12	6.4	15.278	34	Berssem
3	25-May-18	4.712	4.81	9.522	6.5	15.4	40	Berssem
4	25-Jun-18	4.517	4.15	8.667	6.5	15.4	41	Sorghum
5	25-Jul-18	4.146	4	8.146	6.8	15.766	45	Sorghum
6	25-Aug-18	3.75	3.94	7.69	7.1	16.132	44	Sorghum
7	25-Sep-18	3.215	3.54	6.755	7.4	16.498	38	Sorghum
8	25-Oct-18	2.514	3	5.514	7.8	16.986	35	Maize
9	25-Nov-18	2.145	2.584	4.729	7.8	16.986	31	Maize

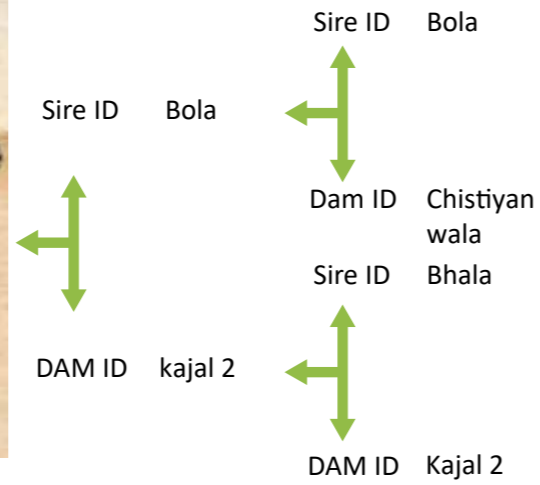
Performance History & Progeny Record

Performance History					Progeny Record		
Lactation no	Date of Calving MM-DD-YYYY	Date of Dry MM-DD-YYYY	Lactation Length	Milk yield (Lit.)	Calf ID	Sire ID	Sex
1	N/A	N/A	N/A	N/A	N/A	Jawad wala	N/A
2	12-29-17	N/A	N/A	N/A	N/A	Bhola	Female
3	01-01-2018						Male

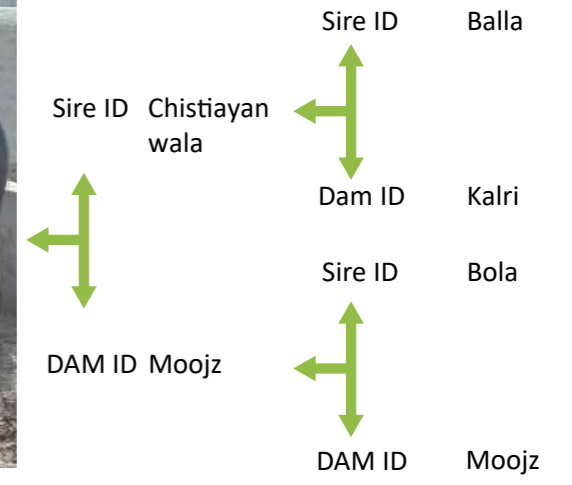
Performance History & Progeny Record

Performance History					Progeny Record		
Lactation no	Date of Calving MM-DD-YYYY	Date of Dry MM-DD-YYYY	Lactation Length	Milk yield (Lit.)	Calf ID	Sire ID	Sex
1	01-15-18	N/A	N/A	N/A	N/A	Bhola	Male
2						N/A	
3							

International ID	Project ID	Buffalo Name	Breed	Date Of Birth
PKB-PP-003-043-138	Tag#138	kajal	Nili	N/A



International ID	Project ID	Buffalo Name	Breed	Date Of Birth
PKB-PP-003-043-137	Tag#137	sb-856	Nili-Ravi	N/A



Current lactation performance		Current Lactation No			2nd			
Recording no	Recording Date DD-MM-YYYY	Milk yield (Kg)			Fat%	Total Solids	Environmental Temp (celcius)	Forage Type
		Morning	Evening	Total				
1	25-Mar-18	6.514	5.714	12.228	6.1	14.912	32	Berssem
2	25-Apr-18	6.145	6.483	12.628	6.4	15.278	34	Berssem
3	25-May-18	5.36	5.145	10.505	6.5	15.4	40	Berssem
4	25-Jun-18	5.14	4.958	10.098	6.5	15.4	41	Sorghum
5	25-Jul-18	4.78	4.715	9.495	6.8	15.766	45	Sorghum
6	25-Aug-18	4.36	4.512	8.872	7.1	16.132	44	Sorghum
7	25-Sep-18	3.98	3.45	7.43	7.4	16.498	38	Sorghum
8	25-Oct-18	3.541	3.1	6.641	7.8	16.986	35	Maize
9	25-Nov-18	2.894	1.524	4.418	7.8	16.986	31	Maize

Current lactation performance		Current Lactation No			3rd			
Recording no	Recording Date DD-MM-YYYY	Milk yield (Kg)			Fat%	Total Solids	Environmental Temp (celcius)	Forage Type
		Morning	Evening	Total				
1	25-Mar-18	7.415	7.814	15.229	6.1	14.912	32	Berssem
2	25-Apr-18	6.514	7.15	13.664	6.4	15.278	34	Berssem
3	25-May-18	6.145	6.48	12.625	6.5	15.4	40	Berssem
4	25-Jun-18	5.32	6.145	11.465	6.5	15.4	41	Sorghum
5	25-Jul-18	4.958	5.365	10.323	6.8	15.766	45	Sorghum
6	25-Aug-18	4.156	4.415	8.571	7.1	16.132	44	Sorghum
7	25-Sep-18	3.48	3.214	6.694	7.4	16.498	38	Sorghum
8	25-Oct-18	3.145	2.945	6.09	7.8	16.986	35	Maize
9	25-Nov-18	2	Nil	2	7.8	16.986	31	Maize

Performance History & Progeny Record

Performance History					Progeny Record		
Lactation no	Date of Calving MM-DD-YYYY	Date of Dry MM-DD-YYYY	Lactation Length	Milk yield (Lit.)	Calf ID	Sire ID	Sex
1	N/A	N/A	N/A	11	N/A	Salam wala	N/A
2	1-4-18					jawad wala	Male
3							

Performance History & Progeny Record

Performance History					Progeny Record		
Lactation no	Date of Calving MM-DD-YYYY	Date of Dry MM-DD-YYYY	Lactation Length	Milk yield (Lit.)	Calf ID	Sire ID	Sex
1	N/A	N/A	N/A	11	N/A	jawad wala	Female
2	12-26-17	N/A	N/A	14	N/A	Bolo Son	Female
3							

KS-044

Ch. Zaka ullah



Farmer Detail

Name	Ch. Zaka ullah
Address	Kanganpur Kasur
Contact No	0300-7876677
CNIC	35301-8580941-1

Buffaloes Detail

Adults	Heifers	Calves	Bull	Total
14	6	5	1	26

Star Marked And changed colour is current practice of farmer from below Table

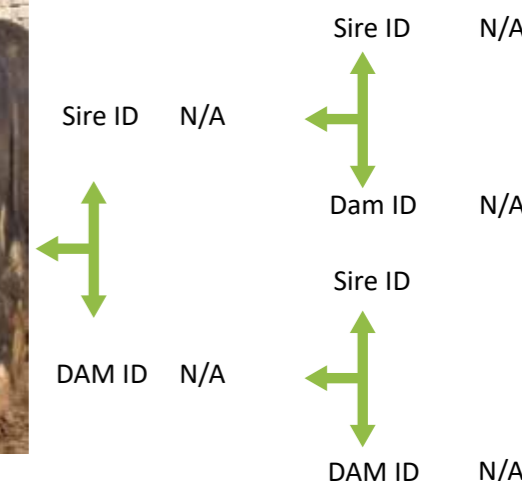
Feeding system

NFS	Necessary feeding system	Total mixed ration @3% Body wieght
HIFS	High input feeding system	Forage ad lib+ Silage/Hay+Concentrate+free water access
* MIFS	Medium input feeding system	Forage ad lib+ occasional Concentrate+free water access
LIFS	Low input feeding system	Forage ad lib+ water access on offering
PIFS	Poor input feeding system	Grazing from communal land+ Water access on offering

Housing System

Excellent	Loose stall,Proper feeding manger+Free access to pound+excellent Ventilation+Bedding in resting area
Good	Loose stall, proper feeding manger+Once a day access to pound+resting area+excellent ventilation
Above average	Loose stall, proper feeding manger+resting area+good ventilation
* Average	Tie stall+proper feeding manger+Resting area+good ventilation
Poor	Tie stall+poor ventilation+ No resting area

International ID	Project ID	Buffalo Name	Breed	Date Of Birth
PKB-KS-002-044-280	Tag#280	Sahri	Nili Ravi	NA

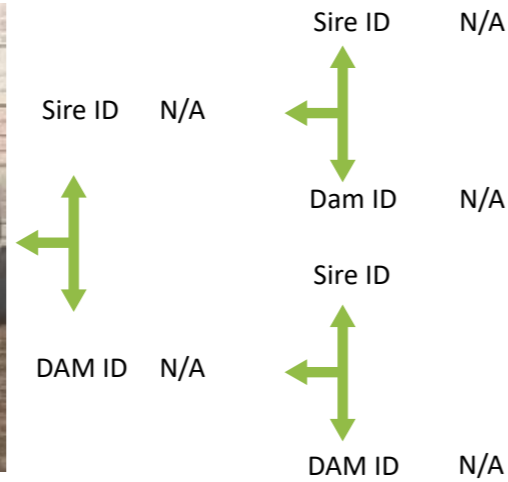


Recording no	Recording Date DD-MM-YYYY	Milk yield (Kg)			Fat%	Total Solids	Environmental Temp (celcius)	Forage Type
		Morning	Evening	Total				
1	25-Mar-18	7.3	7.4	14.7	6.1	14.912	32	Berseem
2	25-Apr-18	7.1	7.5	14.6	6.4	14.784	34	Berseem
3	25-May-18	6.81	7	13.81	6.5	15.15	40	Sorghum
4	25-Jun-18	5.21	6.1	11.31	6.5	15.16	44	Sorghum
5	25-Jul-18	5	5.21	10.21	6.6	15.272	45	Sorghum
6	25-Aug-18	4.31	4.5	8.81	6.8	15.394	44	Sorghum
7	25-Sep-18	4.21	4.1	8.31	6.7	15.394	38	Sorghum
8	25-Oct-18	3.21	0	3.21	6.8	15.516	35	Maize
9	25-Nov-18	0	4.2	4.2	6.9	15.638	31	Maize

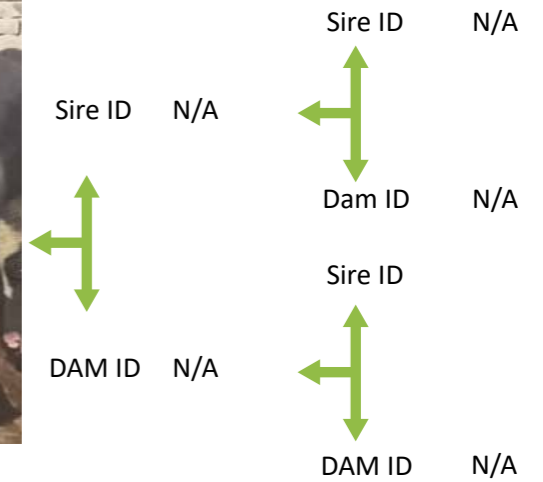
Performance History & Progeny Record

Performance History					Progeny Record		
Lactation no	Date of Calving MM-DD-YYYY	Date of Dry MM-DD-YYYY	Lactation Length	Milk yield (Lit.)	Calf ID	Sire ID	Sex
1	NA	NA	NA	NA	NA	NA	NA
2	NA	NA	NA	NA	NA	NA	NA
3	1-15-18				NA	NA	Female

International ID	Project ID	Buffalo Name	Breed	Date Of Birth
PKB-KS-002-044-282	Tag#282	Sahri	Nili Ravi	NA



International ID	Project ID	Buffalo Name	Breed	Date Of Birth
PKB-KS-002-044-281	Tag#281	Kali	Nili Ravi	NA



Current lactation performance		Current Lactation No			3rd			
Recording no	Recording Date DD-MM-YYYY	Milk yield (Kg)			Fat%	Total Solids	Environmental Temp (celcius)	Forage Type
		Morning	Evening	Total				
1	25-Mar-18	6.51	7.15	13.66	6.1	14.912	32	Berseem
2	25-Apr-18	6.32	6.81	13.13	6.4	14.784	34	Berseem
3	25-May-18	6.14	6.51	12.65	6.5	15.15	40	Sorghum
4	25-Jun-18	5.924	5	10.924	6.5	15.16	44	Sorghum
5	25-Jul-18	5.28	4.9	10.18	6.6	15.272	45	Sorghum
6	25-Aug-18	4.826	4.415	9.241	6.8	15.394	44	Sorghum
7	25-Sep-18	4.18	4.1	8.28	6.7	15.394	38	Sorghum
8	25-Oct-18	3.514	3.95	7.464	6.8	15.516	35	Maize
9	25-Nov-18	2.1	3.4	5.5	6.9	15.638	31	Maize

Current lactation performance		Current Lactation No			2nd			
Recording no	Recording Date DD-MM-YYYY	Milk yield (Kg)			Fat%	Total Solids	Environmental Temp (celcius)	Forage Type
		Morning	Evening	Total				
1	25-Mar-18	6.1	6	12.1	6.1	14.912	32	Berseem
2	25-Apr-18	6.7	6.2	12.9	6.4	14.784	34	Berseem
3	25-May-18	7.1	6.5	13.6	6.5	15.15	40	Sorghum
4	25-Jun-18	6.2	5.7	11.9	6.5	15.16	44	Sorghum
5	25-Jul-18	5.2	4.9	10.1	6.6	15.272	45	Sorghum
6	25-Aug-18	4.7	4.1	8.8	6.8	15.394	44	Sorghum
7	25-Sep-18	3.8	3.1	6.9	6.7	15.394	38	Sorghum
8	25-Oct-18		4.7	4.7	6.8	15.516	35	Maize
9	25-Nov-18	2.5	1.5	4	6.9	15.638	31	Maize

Performance History & Progeny Record

Performance History					Progeny Record		
Lactation no	Date of Calving MM-DD-YYYY	Date of Dry MM-DD-YYYY	Lactation Length	Milk yield (Lit.)	Calf ID	Sire ID	Sex
1	NA	NA	NA	NA	NA	NA	NA
2	NA	NA	NA	NA	NA	NA	NA
3	2-17-18				NA	QB-1023	Female

Performance History & Progeny Record

Performance History					Progeny Record		
Lactation no	Date of Calving MM-DD-YYYY	Date of Dry MM-DD-YYYY	Lactation Length	Milk yield (Lit.)	Calf ID	Sire ID	Sex
1	NA	NA	NA	NA	NA	NA	NA
2	1-22-18	NA	NA	NA	NA	QB-1022	Male
3	NA				NA	NA	NA

KS-045

Syed Sakhi Shah



Farmer Detail

Name	Syed Sakhi Shah
Address	Chack Fareed Shah Pakpattan
Contact No	0300 7721 292
CNIC	36401-0826835-7

Buffaloes Detail

Adults	Heifers	Calves	Bull	Total
40	26	21	1	88

Star Marked And changed colour is current practice of farmer from below Table

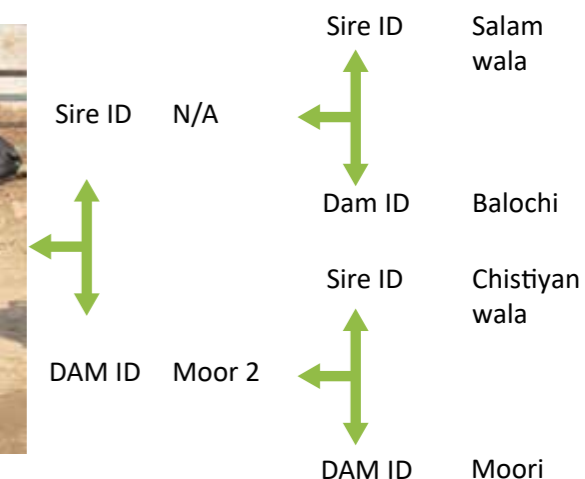
Feeding system

NFS	Necessary feeding system	Total mixed ration @3% Body wieght
HIFS	High input feeding system	Forage ad lib+ Silage/Hay+Concentrate+free water access
MIFS	Medium input feeding system	Forage ad lib+ occasional Concentrate+free water access
* LIFS	Low input feeding system	Forage ad lib+ water access on offering
PIFS	Poor input feeding system	Grazing from communal land+ Water access on offering

Housing System

Excellent	Loose stall,Proper feeding manger+Free access to pound+excellent Ventilation+Bedding in resting area
Good	Loose stall, proper feeding manger+Once a day access to pound+resting area+excellent ventilation
* Above average	Loose stall, proper feeding manger+resting area+good ventilation
Average	Tie stall+proper feeding manger+Resting area+good ventilation
Poor	Tie stall+poor ventilation+ No resting area

International ID	Project ID	Buffalo Name	Breed	Date Of Birth
PKB-PP-003-045-128	Tag#128	Moor	Nili	NA

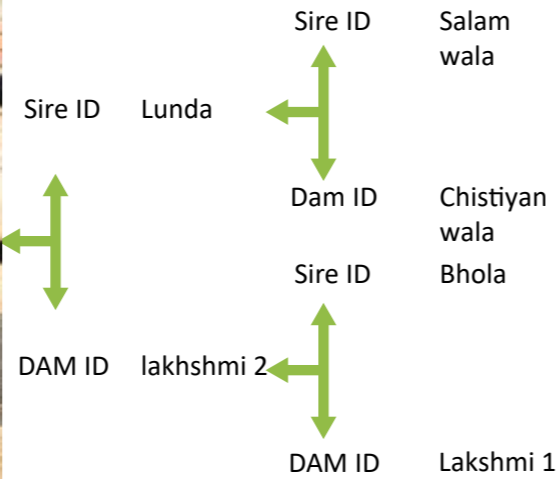


Recording no	Recording Date DD-MM-YYYY	Milk yield (Kg)			Fat%	Total Solids	Environmental Temp (celcius)	Forage Type
		Morning	Evening	Total				
1	30-Mar-18	5.143	5.514	10.657	6	14.79	32	Berseem
2	30-Apr-18	4.925	5.624	10.549	6	14.79	36	Berseem
3	30-May-18	4.715	5	9.715	6.1	14.912	41	Sorghum
4	30-Jun-18	4.51	4.925	9.435	6.2	15.16	45	Sorghum
5	30-Jul-18	4.15	4.4	8.55	6.1	15.272	46	Sorghum
6	30-Aug-18	3.68	3.925	7.605	6	15.394	44	Sorghum
7	30-Sep-18	3.548	4	7.548	6.3	15.394	41	Sorghum
8	30-Oct-18	3.214	3.65	6.864	6.7	15.516	38	Maize
9	30-Nov-18	2.154	2.15	4.664	6.6	15.638	36	Maize

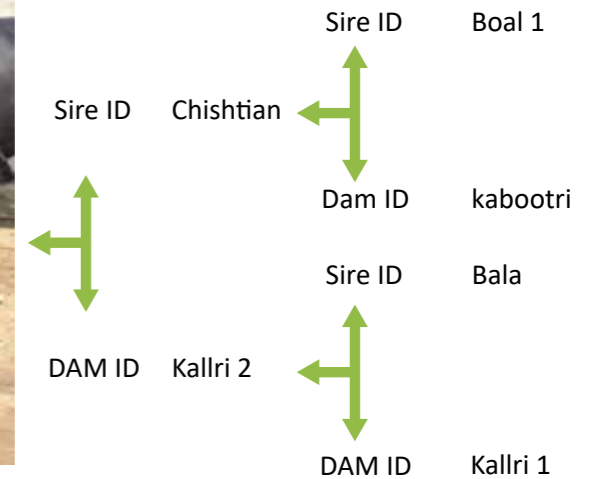
Performance History & Progeny Record

Performance History					Progeny Record		
Lactation no	Date of Calving MM-DD-YYYY	Date of Dry MM-DD-YYYY	Lactation Length	Milk yield (Lit.)	Calf ID	Sire ID	Sex
1	02-01-2018	NA	NA	NA	NA	Salam wala	male
2	NA	NA	NA	NA	NA	NA	NA
3	NA				NA	NA	

International ID	Project ID	Buffalo Name	Breed	Date Of Birth
PKB-PP-003-045-014	Tag#14	Lakshmi	Nili	NA



International ID	Project ID	Buffalo Name	Breed	Date Of Birth
PKB-PP-003-045-129	Tag#129	Kalri	Nili	NA



Current lactation performance		Current Lactation No			2nd			
Recording no	Recording Date DD-MM-YYYY	Milk yield (Kg)			Fat%	Total Solids	Environmental Temp (celcius)	Forage Type
		Morning	Evening	Total				
1	30-Mar-18	6.54	6.24	12.78	6	14.79	32	Berseem
2	30-Apr-18	6.145	6	12.145	6	14.79	36	Berseem
3	30-May-18	5.924	6.1	12.024	6.1	14.912	41	Sorghum
4	30-Jun-18	5.36	5.21	10.57	6.2	15.16	45	Sorghum
5	30-Jul-18	5	4.955	9.955	6.1	15.272	46	Sorghum
6	30-Aug-18	4.715	4.32	9.035	6	15.394	44	Sorghum
7	30-Sep-18	0	7.214	7.214	6.3	15.394	41	Sorghum
8	30-Oct-18	3.644	3.41	7.054	6.7	15.516	38	Maize
9	30-Nov-18	3	2.1	5.1	6.6	15.638	36	Maize

Current lactation performance		Current Lactation No			2nd			
Recording no	Recording Date DD-MM-YYYY	Milk yield (Kg)			Fat%	Total Solids	Environmental Temp (celcius)	Forage Type
		Morning	Evening	Total				
1	30-Mar-18	5.24	5.15	10.39	6	14.79	32	Berseem
2	30-Apr-18	4.92	5	9.92	6	14.79	36	Berseem
3	30-May-18	4.786	4.71	9.496	6.1	14.912	41	Sorghum
4	30-Jun-18	4.1	4.6	8.7	6.2	15.16	45	Sorghum
5	30-Jul-18	3.947	4.15	8.097	6.1	15.272	46	Sorghum
6	30-Aug-18	3.1	3.5	6.6	6	15.394	44	Sorghum
7	30-Sep-18	2.84	2.46	5.3	6.3	15.394	41	Sorghum
8	30-Oct-18	2.77	0	6.6	6.7	15.516	38	Maize
9	30-Nov-18	1.52	0	1.52	6.6	15.638	36	Maize

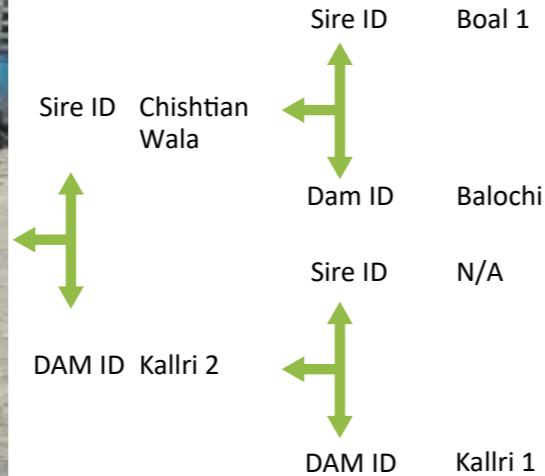
Performance History & Progeny Record

Performance History					Progeny Record		
Lactation no	Date of Calving MM-DD-YYYY	Date of Dry MM-DD-YYYY	Lactation Length	Milk yield (Lit.)	Calf ID	Sire ID	Sex
1	NA	NA	NA	NA	NA	Jawad shah	Male
2	2-11-18	NA	NA	11	NA	Bola	Female
3							

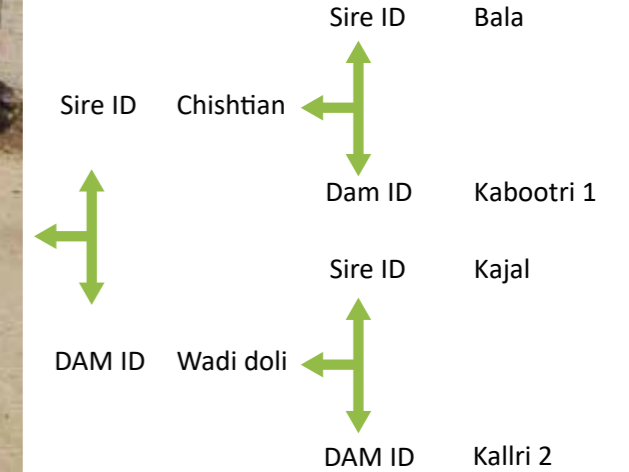
Performance History & Progeny Record

Performance History					Progeny Record		
Lactation no	Date of Calving MM-DD-YYYY	Date of Dry MM-DD-YYYY	Lactation Length	Milk yield (Lit.)	Calf ID	Sire ID	Sex
1	1-7-18	NA	NA	NA	NA	Bola	Male
2							
3							

International ID	Project ID	Buffalo Name	Breed	Date Of Birth
PKB-PP-003-045-130	Tag#130	Kallri	Nili	NA



International ID	Project ID	Buffalo Name	Breed	Date Of Birth
PKB-PP-003-045-013	Tag#13	Doli	Nili	NA



Current lactation performance		Current Lactation No			3rd			
Recording no	Recording Date DD-MM-YYYY	Milk yield (Kg)			Fat%	Total Solids	Environmental Temp (celcius)	Forage Type
		Morning	Evening	Total				
1	30-Mar-18	7.6285	7.84	15.4685	6	14.79	32	Berseem
2	30-Apr-18	7.1	7.415	14.515	6	14.79	36	Berseem
3	30-May-18	6.514	6.814	13.328	6.1	14.912	41	Sorghum
4	30-Jun-18	5.415	5.924	11.339	6.2	15.16	45	Sorghum
5	30-Jul-18	0	0	0	6.1	15.272	46	Sorghum
6	30-Aug-18	4.715	4.56	9.275	6	15.394	44	Sorghum
7	30-Sep-18	4.156	4.15	8.306	6.3	15.394	41	Sorghum
8	30-Oct-18	3.215	2.489	5.704	6.7	15.516	38	Maize
9	30-Nov-18	2.51	0	2.51	6.6	15.638	36	Maize

Current lactation performance		Current Lactation No			2nd			
Recording no	Recording Date DD-MM-YYYY	Milk yield (Kg)			Fat%	Total Solids	Environmental Temp (celcius)	Forage Type
		Morning	Evening	Total				
1	30-Mar-18	6.54	6.17	12.71	6	14.79	32	Berseem
2	30-Apr-18	6.15	5.914	12.064	6	14.79	36	Berseem
3	30-May-18	5.9	6.17	12.07	6.1	14.912	41	Sorghum
4	30-Jun-18	5.21	5	10.21	6.2	15.16	45	Sorghum
5	30-Jul-18	4.91	4.79	9.7	6.1	15.272	46	Sorghum
6	30-Aug-18	4.76	4.36	9.12	6	15.394	44	Sorghum
7	30-Sep-18	4.15	4	8.15	6.3	15.394	41	Sorghum
8	30-Oct-18	3.64	3.45	7.09	6.7	15.516	38	Maize
9	30-Nov-18	3.146	2.15	5.296	6.6	15.638	36	Maize

Performance History & Progeny Record

Performance History					Progeny Record		
Lactation no	Date of Calving MM-DD-YYYY	Date of Dry MM-DD-YYYY	Lactation Length	Milk yield (Lit.)	Calf ID	Sire ID	Sex
1	NA	NA	NA	11	NA	jawad Wala	Female
2	NA	NA	NA	14	NA	jawad Wala	Female
3	12-27-18				NA	Bola	Female

Performance History & Progeny Record

Performance History					Progeny Record		
Lactation no	Date of Calving MM-DD-YYYY	Date of Dry MM-DD-YYYY	Lactation Length	Milk yield (Lit.)	Calf ID	Sire ID	Sex
1	NA	NA	NA	10	NA	Jawad	Male
2	3-1-18	NA	NA	14	NA	Bola 2	Female
3							

PP-046

Khan Ali Imran khan Rath



Farmer Detail

Name	Khan Ali Imran khan Rath
Address	BahniNoor Jahania hota Pakpattan
Contact No	0321-5555437
CNIC	36401-0875599-7

Buffaloes Detail

Adults	Heifers	Calves	Bull	Total
26	12	15	1	54

Star Marked And changed colour is current practice of farmer from below Table

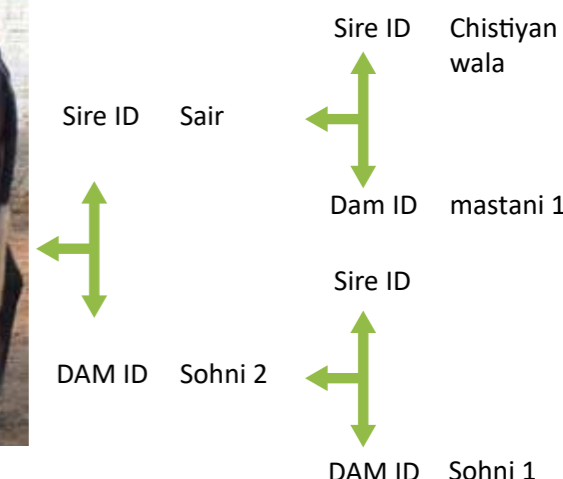
Feeding system

NFS	Necessary feeding system	Total mixed ration @3% Body wieght
HIFS	High input feeding system	Forage ad lib+ Silage/Hay+Concentrate+free water access
* MIFS	Medium input feeding system	Forage ad lib+ occasional Concentrate+free water access
LIFS	Low input feeding system	Forage ad lib+ water access on offering
PIFS	Poor input feeding system	Grazing from communal land+ Water access on offering

Housing System

Excellent	Loose stall,Proper feeding manger+Free access to pound+excellent Ventilation+Bedding in resting area
* Good	Loose stall, proper feeding manger+Once a day access to pound+resting area+excellent ventilation
Above average	Loose stall, proper feeding manger+resting area+good ventilation
Average	Tie stall+proper feeding manger+Resting area+good ventilation
Poor	Tie stall+poor ventilation+ No resting area

International ID	Project ID	Buffalo Name	Breed	Date Of Birth
PKB-PP-003-046-111	Tag#111	Sassy	Nili	NA

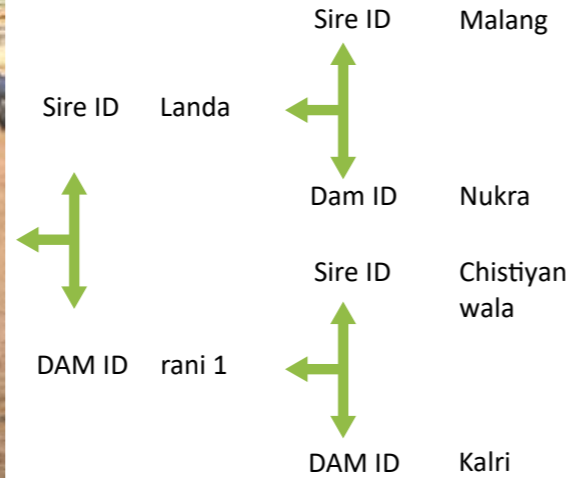


Recording no	Recording Date DD-MM-YYYY	Milk yield (Kg)			Fat%	Total Solids	Environmental Temp (celcius)	Forage Type
		Morning	Evening	Total				
1	22-Mar-18	8	7.214	15.214	6.1	14.912	32	Berseem
2	22-Apr-18	7.5145	6.514	14.0285	6	14.784	36	Berseem
3	22-May-18	6.856	6.214	13.359	5.9	15.15	40	Sorghum
4	22-Jun-18	6.856	5.948	12.804	6.2	15.16	44	Sorghum
5	22-Jul-18	6.378	5.47	11.848	6.2	15.272	45	Sorghum
6	22-Aug-18	5.914	5.14	11.054	6.3	15.394	44	Maize
7	22-Sep-18	5.3178	4.634	9.9518	6.6	15.394	40	Maize
8	22-Oct-18	4.21	3.917	8.127	6.4	15.516	38	Maize
9	22-Nov-18	3.54	4	7.54	6.5	15.638	34	Maize

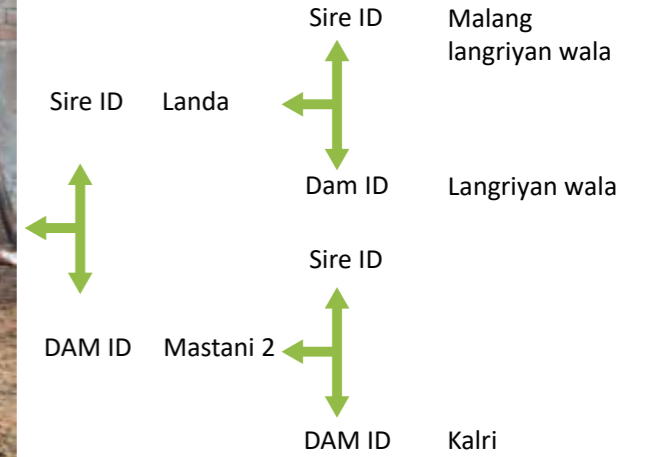
Performance History & Progeny Record

Performance History					Progeny Record		
Lactation no	Date of Calving MM-DD-YYYY	Date of Dry MM-DD-YYYY	Lactation Length	Milk yield (Lit.)	Calf ID	Sire ID	Sex
1	NA	NA	NA	14	NA	Mastana 2	Female
2	NA	NA	NA	16	NA	sundar	Female
3	3-1-18				NA	sundar	Female

International ID	Project ID	Buffalo Name	Breed	Date Of Birth
PKB-PP-003-046-112	Tag#112	Rani	Nili	NA



International ID	Project ID	Buffalo Name	Breed	Date Of Birth
PKB-PP-003-046-113	Tag#113	Mastani	Nili	NA



Current lactation performance		Current Lactation No			6th			
Recording no	Recording Date DD-MM-YYYY	Milk yield (Kg)			Fat%	Total Solids	Environmental Temp (celcius)	Forage Type
		Morning	Evening	Total				
1	22-Mar-18	6.921	6.417	13.338	6.1	14.912	32	Berseem
2	22-Apr-18	6.148	6.278	12.426	6	14.784	36	Berseem
3	22-May-18	5.7156	5.425	11.1406	5.9	15.15	40	Sorghum
4	22-Jun-18	5.398	5	10.398	6.2	15.16	44	Sorghum
5	22-Jul-18	5	4.925	9.925	6.2	15.272	45	Sorghum
6	22-Aug-18	4.789	0	4.789	6.3	15.394	44	Maize
7	22-Sep-18	4.178	3.94	8.118	6.6	15.394	40	Maize
8	22-Oct-18	3.68	3.814	7.674	6.4	15.516	38	Maize
9	22-Nov-18	2.599	2.1	4.699	6.5	15.638	34	Maize

Current lactation performance		Current Lactation No			2nd			
Recording no	Recording Date DD-MM-YYYY	Milk yield (Kg)			Fat%	Total Solids	Environmental Temp (celcius)	Forage Type
		Morning	Evening	Total				
1	22-Mar-18	6.178	6.514	12.692	6.1	14.912	32	Berseem
2	22-Apr-18	7	6.947	13.947	6	14.784	36	Berseem
3	22-May-18	6.578	6.415	12.993	5.9	15.15	40	Sorghum
4	22-Jun-18	5.914	2	7.914	6.2	15.16	44	Sorghum
5	22-Jul-18	5.178	4.395	9.573	6.2	15.272	45	Sorghum
6	22-Aug-18	4.795	4.514	9.309	6.3	15.394	44	Maize
7	22-Sep-18	4.178	3.847	8.025	6.6	15.394	40	Maize
8	22-Oct-18	3.278	3.17	6.448	6.4	15.516	38	Maize
9	22-Nov-18	3	1.5	4.5	6.5	15.638	34	Maize

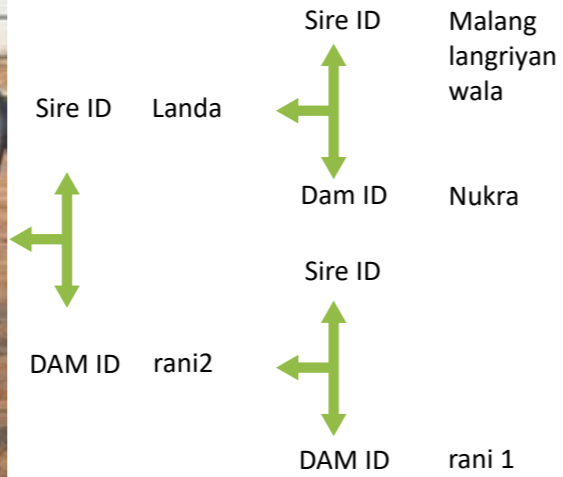
Performance History & Progeny Record

Performance History					Progeny Record		
Lactation no	Date of Calving MM-DD-YYYY	Date of Dry MM-DD-YYYY	Lactation Length	Milk yield (Lit.)	Calf ID	Sire ID	Sex
1	NA	NA	NA	14	NA	Piyara	Male
2	NA	NA	NA	16	NA	Piyara	Female
3	3-6-18				NA	Balouch	Female

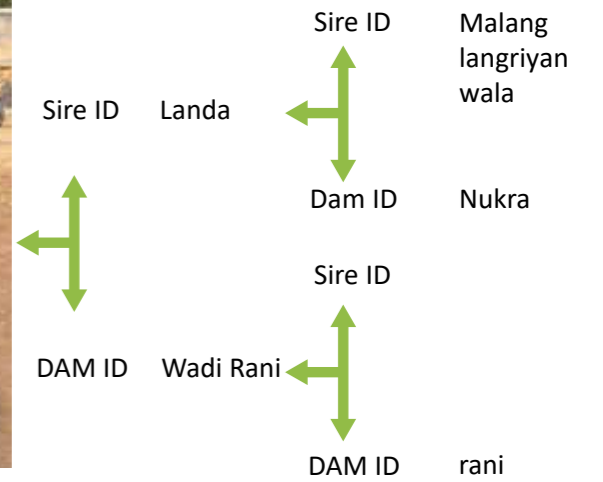
Performance History & Progeny Record

Performance History					Progeny Record		
Lactation no	Date of Calving MM-DD-YYYY	Date of Dry MM-DD-YYYY	Lactation Length	Milk yield (Lit.)	Calf ID	Sire ID	Sex
1	NA	NA	NA	14	NA	Nukra	Male
2	NA	NA	NA	16	NA	Salam wala	Female
3	1-4-18				NA	Nukra	Female

International ID	Project ID	Buffalo Name	Breed	Date Of Birth
PKB-PP-003-046-114	Tag#114	Bari Rani	Nili	NA



International ID	Project ID	Buffalo Name	Breed	Date Of Birth
PKB-PP-003-046-115	Tag#115	Niki Rani	Nili	NA



Current lactation performance		Current Lactation No			3rd			
Recording no	Recording Date DD-MM-YYYY	Milk yield (Kg)			Fat%	Total Solids	Environmental Temp (celcius)	Forage Type
		Morning	Evening	Total				
1	22-Mar-18	7.214	7	14.214	6.1	14.912	32	Berseem
2	22-Apr-18	6.514	60215	12.729	6	14.784	36	Berseem
3	22-May-18	6.147	5.9	12.047	5.9	15.15	40	Sorghum
4	22-Jun-18	5.726	5.3	11.026	6.2	15.16	44	Sorghum
5	22-Jul-18	5.125	5	10.125	6.2	15.272	45	Sorghum
6	22-Aug-18	4.956	4.1	9.056	6.3	15.394	44	Maize
7	22-Sep-18	4.178	3.9	8.078	6.6	15.394	40	Maize
8	22-Oct-18	3.845	3.16	7.005	6.4	15.516	38	Maize
9	22-Nov-18	3.1	2.514	5.614	6.5	15.638	34	Maize

Current lactation performance		Current Lactation No			2nd			
Recording no	Recording Date DD-MM-YYYY	Milk yield (Kg)			Fat%	Total Solids	Environmental Temp (celcius)	Forage Type
		Morning	Evening	Total				
1	22-Mar-18	8.315	8.178	16.493	6.1	14.912	32	Berseem
2	22-Apr-18	7.514	7.925	15.439	6	14.784	36	Berseem
3	22-May-18	6.31	7	13.31	5.9	15.15	40	Sorghum
4	22-Jun-18	5.214	6.314	11.528	6.2	15.16	44	Sorghum
5	22-Jul-18	4.914	5.214	10.128	6.2	15.272	45	Sorghum
6	22-Aug-18	4.178	4.417	8.595	6.3	15.394	44	Maize
7	22-Sep-18	3.547	4	7.547	6.6	15.394	40	Maize
8	22-Oct-18	3.14	3.514	6.654	6.4	15.516	38	Maize
9	22-Nov-18	2.17	2.14	4.58	6.5	15.638	34	Maize

Performance History & Progeny Record

Performance History					Progeny Record		
Lactation no	Date of Calving MM-DD-YYYY	Date of Dry MM-DD-YYYY	Lactation Length	Milk yield (Lit.)	Calf ID	Sire ID	Sex
1	NA	NA	NA	12	NA	Nukra	Female
2	NA	NA	NA	14	NA	Abu	Female
3	2-3-18				NA	Nukra	Male

Performance History & Progeny Record

Performance History					Progeny Record		
Lactation no	Date of Calving MM-DD-YYYY	Date of Dry MM-DD-YYYY	Lactation Length	Milk yield (Lit.)	Calf ID	Sire ID	Sex
1	NA	NA	NA	12	NA	Nukra	Male
2	1-14-18	NA	NA		NA	Piyara	Female
3							

PP-047

Khan Ahsan Salam Khan Rath



Farmer Detail

Name	Khan Ahsan Salam Khan Rath
Address	Noora Rath Pakpattan
Contact No	0300-9493690
CNIC	36401-5647997-3

Buffaloes Detail

Adults	Heifers	Calves	Bull	Total
35	24	28	3	90

Star Marked And changed colour is current practice of farmer from below Table

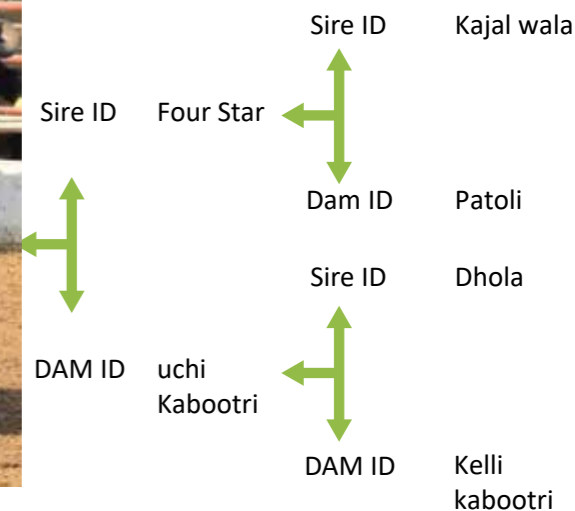
Feeding system

NFS	Necessary feeding system	Total mixed ration @3% Body wieght
HIFS	High input feeding system	Forage ad lib+ Silage/Hay+Concentrate+free water access
* MIFS	Medium input feeding system	Forage ad lib+ occasional Concentrate+free water access
LIFS	Low input feeding system	Forage ad lib+ water access on offering
PIFS	Poor input feeding system	Grazing from communal land+ Water access on offering

Housing System

Excellent	Loose stall,Proper feeding manger+Free access to pound+excellent Ventilation+Bedding in resting area
* Good	Loose stall, proper feeding manger+Once a day access to pound+resting area+excellent ventilation
Above average	Loose stall, proper feeding manger+resting area+good ventilation
Average	Tie stall+proper feeding manger+Resting area+good ventilation
Poor	Tie stall+poor ventilation+ No resting area

International ID	Project ID	Buffalo Name	Breed	Date Of Birth
PKB-PP-003-047-106	Tag#106	Bari Kabootri	Nili	NA

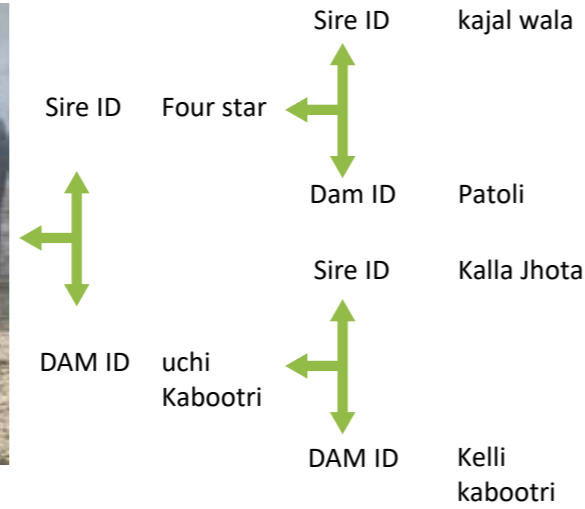


Recording no	Recording Date DD-MM-YYYY	Milk yield (Kg)			Fat%	Total Solids	Environmental Temp (celcius)	Forage Type
		Morning	Evening	Total				
1	26-Mar-18	8.314	7.914	16.228	6	14.79	32	Berssem
2	26-Apr-18	7.214	7.1	14.314	6.1	14.912	36	Berssem
3	26-May-18	6.5178	6.24	12.7578	6.1	14.912	39	Berssem
4	26-Jun-18	6	5.814	11.814	6.1	14.912	44	Sorghum
5	26-Jul-18	5.719	5.38	11.099	6.3	15.156	45	Sorghum
6	26-Aug-18	5.217	5	10.217	6.7	15.644	46	Sorghum
7	26-Sep-18	4.815	4.4	9.215	6.7	15.644	41	Sorghum
8	26-Oct-18	3.14	4.1	7.24	6.9	15.888	38	Maize
9	26-Nov-18	2.178	2.91	5.088	7	16.01	34	Maize

Performance History & Progeny Record

Performance History					Progeny Record		
Lactation no	Date of Calving MM-DD-YYYY	Date of Dry MM-DD-YYYY	Lactation Length	Milk yield (Lit.)	Calf ID	Sire ID	Sex
1	NA	NA	NA	12lit per day	NA	Four Star	Female
2	NA	NA	NA	15 lit per day	NA	Four Star	Female
3	01-16-2018					Bhola	Male

International ID	Project ID	Buffalo Name	Breed	Date Of Birth
PKB-PP-003-047-107	Tag#107	Choti Kabootri	Nili	10/2/2009

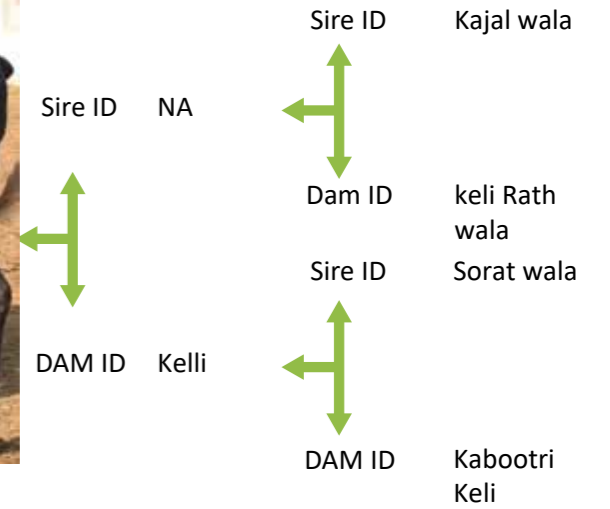


Current lactation performance		Current Lactation No			1st			
Recording no	Recording Date DD-MM-YYYY	Milk yield (Kg)			Fat%	Total Solids	Environmental Temp (celcius)	Forage Type
		Morning	Evening	Total				
1	26-Mar-18	5.4	5.2	10.6	6	14.79	32	Berssem
2	26-Apr-18	5.1	4.7	9.8	6.1	14.912	36	Berssem
3	26-May-18	3.51	4.2	7.71	6.1	14.912	39	Berssem
4	26-Jun-18	4	4.1	8.1	6.1	14.912	44	Sorghum
5	26-Jul-18	3.51	3.71	7.22	6.3	15.156	45	Sorghum
6	26-Aug-18	3	3.21	6.21	6.7	15.644	46	Sorghum
7	26-Sep-18	2.514	Nil	2.514	6.7	15.644	41	Sorghum
8	26-Oct-18	2	3.1	5.1	6.9	15.888	38	Maize
9	26-Nov-18	1.514	2.5	4.014	7	16.01	34	Maize

Performance History & Progeny Record

Performance History					Progeny Record		
Lactation no	Date of Calving MM-DD-YYYY	Date of Dry MM-DD-YYYY	Lactation Length	Milk yield (Lit.)	Calf ID	Sire ID	Sex
1						Bhola	Female
2							
3							

International ID	Project ID	Buffalo Name	Breed	Date Of Birth
PKB-PP-003-047-108	Tag#108	Ranji	Nili	NA

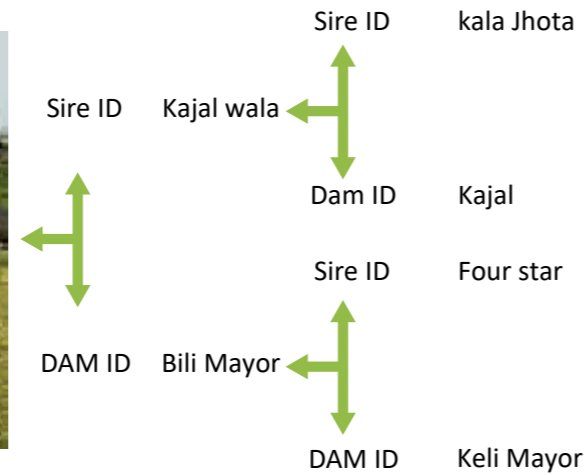


Current lactation performance		Current Lactation No			1st			
Recording no	Recording Date DD-MM-YYYY	Milk yield (Kg)			Fat%	Total Solids	Environmental Temp (celcius)	Forage Type
		Morning	Evening	Total				
1	26-Mar-18	5.2	5.4	10.6	6	14.79	32	Berssem
2	26-Apr-18	4.7	5.1	9.8	6.1	14.912	36	Berssem
3	26-May-18	4.2	3.51	7.71	6.1	14.912	39	Berssem
4	26-Jun-18	4.1	Nil	4.1	6.1	14.912	44	Sorghum
5	26-Jul-18	3.71	2.7	6.41	6.3	15.156	45	Sorghum
6	26-Aug-18	3.21	2.1	5.31	6.7	15.644	46	Sorghum
7	26-Sep-18	Nil	4.2	4.2	6.7	15.644	41	Sorghum
8	26-Oct-18	3.1	Nil	3.1	6.9	15.888	38	Maize
9	26-Nov-18	2.5	Nil	2.5	7	16.01	34	Maize

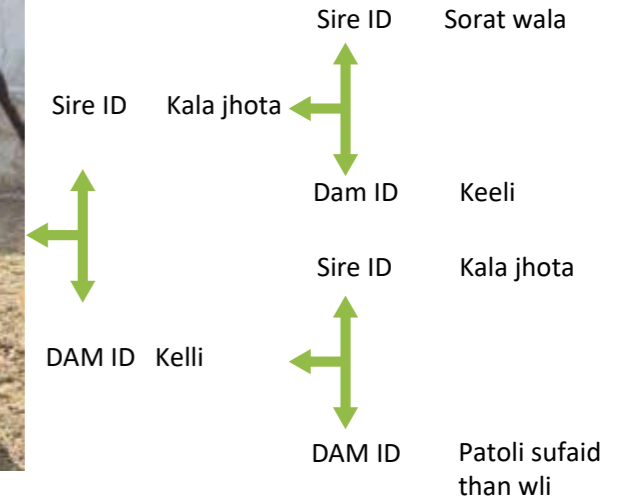
Performance History & Progeny Record

Performance History					Progeny Record		
Lactation no	Date of Calving MM-DD-YYYY	Date of Dry MM-DD-YYYY	Lactation Length	Milk yield (Lit.)	Calf ID	Sire ID	Sex
1	3-Jan-18					Bhola	Female
2							
3							

International ID	Project ID	Buffalo Name	Breed	Date Of Birth
PKB-PP-003-047-109	Tag#109	Mayor	Nili	NA



International ID	Project ID	Buffalo Name	Breed	Date Of Birth
PKB-PP-003-047-110	Tag#110	Patoli	Nili	NA



Current lactation performance		Current Lactation No			3rd			
Recording no	Recording Date DD-MM-YYYY	Milk yield (Kg)			Fat%	Total Solids	Environmental Temp (celcius)	Forage Type
		Morning	Evening	Total				
1	26-Mar-18	5.21	4.914	10.124	6	14.79	32	Berssem
2	26-Apr-18	5	5.214	10.214	6.1	14.912	36	Berssem
3	26-May-18	4.915	5.369	10.284	6.1	14.912	39	Berssem
4	26-Jun-18	3.947	4	7.947	6.1	14.912	44	Sorghum
5	26-Jul-18	3.14	3.914	7.054	6.3	15.156	45	Sorghum
6	26-Aug-18	2.514	Nil	2.514	6.7	15.644	46	Sorghum
7	26-Sep-18	Nil	Nil	0	6.7	15.644	41	Sorghum
8	26-Oct-18	Nil	Nil	0	6.9	15.888	38	Maize
9	26-Nov-18	Nil	Nil	0	7	16.01	34	Maize

Performance History & Progeny Record

Performance History					Progeny Record		
Lactation no	Date of Calving MM-DD-YYYY	Date of Dry MM-DD-YYYY	Lactation Length	Milk yield (Lit.)	Calf ID	Sire ID	Sex
1	N/A	N/A	N/A	10lit per day	N/A	Four Star	Male
2	N/A	N/A	N/A	14 lit per day	N/A	Four Star	Male
3	1-Mar-18					Bola	Male

Current lactation performance		Current Lactation No			11th			
Recording no	Recording Date DD-MM-YYYY	Milk yield (Kg)			Fat%	Total Solids	Environmental Temp (celcius)	Forage Type
		Morning	Evening	Total				
1	26-Mar-18	7.2	7.514	14.714	6	14.79	32	Berssem
2	26-Apr-18	6.948	7.165	14.113	6.1	14.912	36	Berssem
3	26-May-18	5.347	6.415	11.762	6.1	14.912	39	Berssem
4	26-Jun-18	5.178	6	11.178	6.1	14.912	44	Sorghum
5	26-Jul-18	4.958	5.925	10.883	6.3	15.156	45	Sorghum
6	26-Aug-18	4.826	5.178	10.004	6.7	15.644	46	Sorghum
7	26-Sep-18	4.215	5	9.215	6.7	15.644	41	Sorghum
8	26-Oct-18	4	4.36	8.36	6.9	15.888	38	Maize
9	26-Nov-18	3.915	4.1	8.015	7	16.01	34	Maize

Performance History & Progeny Record

Performance History					Progeny Record		
Lactation no	Date of Calving MM-DD-YYYY	Date of Dry MM-DD-YYYY	Lactation Length	Milk yield (Lit.)	Calf ID	Sire ID	Sex
1	N/A	N/A	N/A	15 lit per day	N/A	Kajal	Male
2	N/A	N/A	N/A	15 lit per day	N/A	Bhola	Male
3	7-Jan-18					Bhola	Female

KS-048

Ch. Sajjad Haider Nadeem Gujjar



Farmer Detail

Name	Ch. Sajjad Haider Nadeem Gujjar
Address	Pir Sikindar Bahawalnagar
Contact No	0300-8448945
CNIC	35404-5924776-5

Buffaloes Detail

Adults	Heifers	Calves	Bull	Total
30	20	31	2	83

Star Marked And changed colour is current practice of farmer from below Table

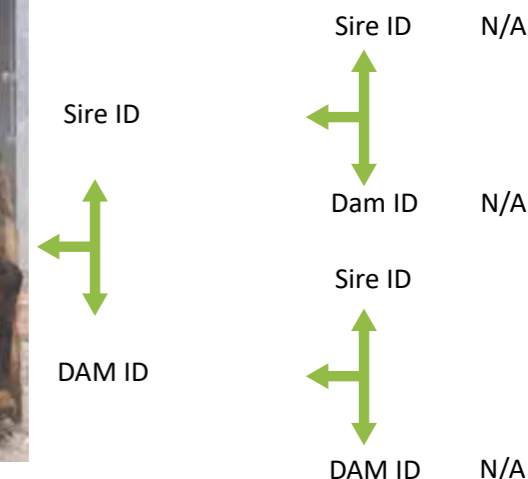
Feeding system

NFS	Necessary feeding system	Total mixed ration @3% Body wieght
HIFS	High input feeding system	Forage ad lib+ Silage/Hay+Concentrate+free water access
* MIFS	Medium input feeding system	Forage ad lib+ occasional Concentrate+free water access
LIFS	Low input feeding system	Forage ad lib+ water access on offering
PIFS	Poor input feeding system	Grazing from communal land+ Water access on offering

Housing System

Excellent	Loose stall,Proper feeding manger+Free access to pound+excellent Ventilation+Bedding in resting area
* Good	Loose stall, proper feeding manger+Once a day access to pound+resting area+excellent ventilation
Above average	Loose stall, proper feeding manger+resting area+good ventilation
Average	Tie stall+proper feeding manger+Resting area+good ventilation
Poor	Tie stall+poor ventilation+ No resting area

International ID	Project ID	Buffalo Name	Breed	Date Of Birth
PKB-KS-004-048-020	Tag#20	shingar	Nili	NA

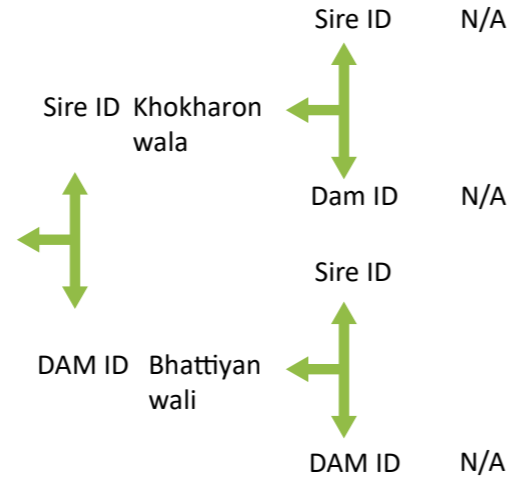


Recording no	Recording Date DD-MM-YYYY	Milk yield (Kg)			Fat%	Total Solids	Environmental Temp (celcius)	Forage Type
		Morning	Evening	Total				
1	17-Mar-18	5.124	6.14	11.354	6.4	15.278	32	Berseem
2	17-Apr-18	4.75	5.124	9.964	6.3	15.156	34	Berseem
3	17-May-18	4.254	5	9.254	6.5	15.15	40	Sorghum
4	17-Jun-18	4.1	4.91	4.91	6.6	15.16	44	Sorghum
5	17-Jul-18	3.914	4.4	8.314	6.7	15.272	45	Sorghum
6	17-Aug-18	3.714	3.3	7.014	7	15.394	44	Sorghum
7	17-Sep-18	3.514	3.1	6.614	7.1	15.394	38	Sorghum
8	17-Oct-18	3.3	2.5	5.8	7	15.516	35	Maize
9	17-Nov-18	3.1	0	3.1	7.3	15.638	31	Maize

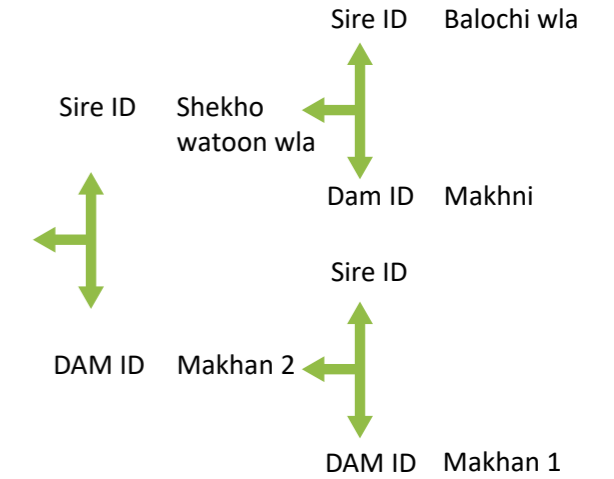
Performance History & Progeny Record

Performance History					Progeny Record		
Lactation no	Date of Calving MM-DD-YYYY	Date of Dry MM-DD-YYYY	Lactation Length	Milk yield (Lit.)	Calf ID	Sire ID	Sex
1	NA	NA	NA	NA	NA	Bodla wla	male
2	2-Jan-18					Bha on wla	male
3							

International ID	Project ID	Buffalo Name	Breed	Date Of Birth
PKB-KS-004-048-021	Tag#21	Kheer	Nili	NA



International ID	Project ID	Buffalo Name	Breed	Date Of Birth
PKB-KS-004-048-080	Tag # 80	Maam	Nili	NA



Current lactation performance		Current Lactation No			4th			
Recording no	Recording Date DD-MM-YYYY	Milk yield (Kg)			Fat%	Total Solids	Environmental Temp (celcius)	Forage Type
		Morning	Evening	Total				
1	17-Mar-18	7.415	7.214	14.629	6.4	15.278	32	Berseem
2	17-Apr-18	7.15	7	14.15	6.3	15.156	34	Berseem
3	17-May-18	6.514	6.314	12.828	6.5	15.15	40	Sorghum
4	17-Jun-18	6.124	6	12.214	6.6	15.16	44	Sorghum
5	17-Jul-18	5.921	5.278	11.199	6.7	15.272	45	Sorghum
6	17-Aug-18	5.178	5.17	10.348	7	15.394	44	Sorghum
7	17-Sep-18	4.718	4.217	8.935	7.1	15.394	38	Sorghum
8	17-Oct-18	4.4	4	8.4	7	15.516	35	Maize
9	17-Nov-18	4.198	4.179	8.26	7.3	15.638	31	Maize

Current lactation performance		Current Lactation No			2nd			
Recording no	Recording Date DD-MM-YYYY	Milk yield (Kg)			Fat%	Total Solids	Environmental Temp (celcius)	Forage Type
		Morning	Evening	Total				
1	17-Mar-18	6.5	6.3	12.8	6.4	15.278	34	Berseem
2	17-Apr-18	6.3	7	13.3	6.3	15.156	39	Berseem
3	17-May-18	6.1	6.5	12.6	6.5	15.15	42	Sorghum
4	17-Jun-18	5.7	5.8	11.5	6.6	15.16	45	Sorghum
5	17-Jul-18	5.2	5	10.2	6.7	15.272	43	Sorghum
6	17-Aug-18	4.4	4.7	9.1	7	15.394	41	Sorghum
7	17-Sep-18	4.9	5.1	10	7.1	15.394	38	Sorghum
8	17-Oct-18	3.2	3.9	7.1	7	15.516	34	Maize
9	17-Nov-18	2.4	3.5	5.9	7.3	15.638	32	Maize

Performance History & Progeny Record

Performance History					Progeny Record		
Lactation no	Date of Calving MM-DD-YYYY	Date of Dry MM-DD-YYYY	Lactation Length	Milk yield (Lit.)	Calf ID	Sire ID	Sex
1	NA	NA	NA	NA	NA	NA	NA
2	NA	NA	NA	NA	NA	Bhattion	Male
3	3-2-18				NA	Bhattion	Female

Performance History & Progeny Record

Performance History					Progeny Record		
Lactation no	Date of Calving MM-DD-YYYY	Date of Dry MM-DD-YYYY	Lactation Length	Milk yield (Lit.)	Calf ID	Sire ID	Sex
1	NA	NA	NA	NA	NA	langriyan wala	Male
2						langriyan wala	Male
3							

HT-049

Mian Shoukat Jahangir Hotiana



Farmer Detail

Name	Mian Shoukat Jahangir Hotiana
Address	Hota
Contact No	0301-7253083
CNIC	36402-9452692-9

Buffaloes Detail

Adults	Heifers	Calves	Bull	Total
15	16	14	2	47

Star Marked And changed colour is current practice of farmer from below Table

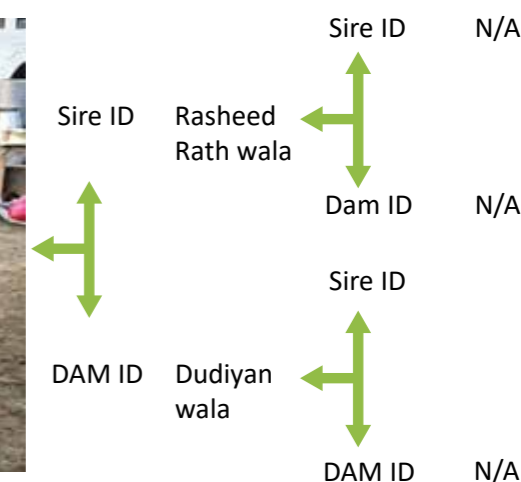
Feeding system

NFS	Necessary feeding system	Total mixed ration @3% Body wieght
HIFS	High input feeding system	Forage ad lib+ Silage/Hay+Concentrate+free water access
* MIFS	Medium input feeding system	Forage ad lib+ occasional Concentrate+free water access
LIFS	Low input feeding system	Forage ad lib+ water access on offering
PIFS	Poor input feeding system	Grazing from communal land+ Water access on offering

Housing System

Excellent	Loose stall,Proper feeding manger+Free access to pound+excellent Ventilation+Bedding in resting area
* Good	Loose stall, proper feeding manger+Once a day access to pound+resting area+excellent ventilation
Above average	Loose stall, proper feeding manger+resting area+good ventilation
Average	Tie stall+proper feeding manger+Resting area+good ventilation
Poor	Tie stall+poor ventilation+ No resting area

International ID	Project ID	Buffalo Name	Breed	Date Of Birth
PKB-HT-003-049-121	Tag#121	Niko	Nili	NA

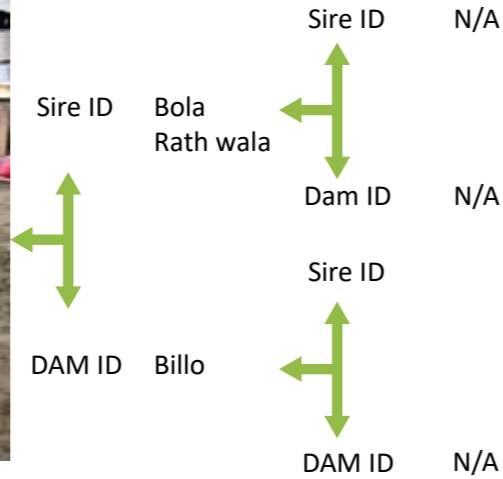


Recording no	Recording Date DD-MM-YYYY	Milk yield (Kg)			1st Fat%	Total Solids	Environmental Temp (celcius)	Forage Type
		Morning	Evening	Total				
1	15-Mar-18	5.478	5.41	10.888	6.1	14.912	32	Berseem
2	15-Apr-18	5.17	5.317	10.487	6.3	15.156	37	Berseem
3	15-May-18	4.796	5	9.796	6.2	15.15	39	Silage
4	15-Jun-18	4.517	4.957	9.474	6.3	15.16	42	Silage
5	15-Jul-18	4.347	4.436	8.783	6.2	15.272	45	Silage
6	15-Aug-18	4.278	4	8.278	6.5	15.394	41	Millet
7	15-Sep-18	3.578	3.917	7.495	6.5	15.394	38	Millet
8	15-Oct-18	3.1	3.18	6.28	6.6	15.516	36	Maize
9	15-Nov-18	2.578	3	5.578	6.9	15.638	33	Maize

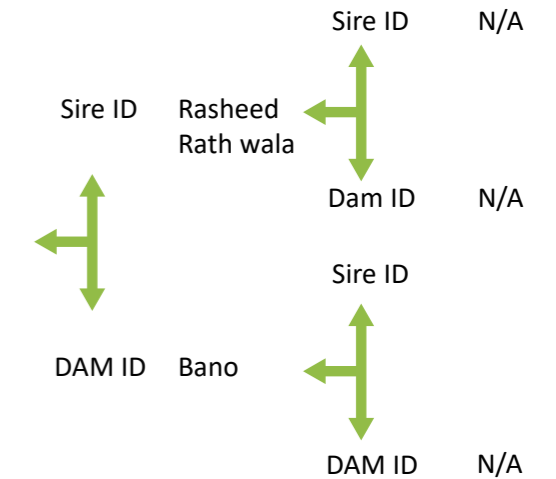
Performance History & Progeny Record

Performance History					Progeny Record		
Lactation no	Date of Calving MM-DD-YYYY	Date of Dry MM-DD-YYYY	Lactation Length	Milk yield (Lit.)	Calf ID	Sire ID	Sex
1	02-24-2018	NA	NA	NA	NA	Saeed wala	Male
2							
3							

International ID	Project ID	Buffalo Name	Breed	Date Of Birth
PKB-HT-003-049-122	Tag#122	Bano	Nili	NA



International ID	Project ID	Buffalo Name	Breed	Date Of Birth
PKB-HT-003-049-022	Tag#22	Soorat	Nili	NA



Current lactation performance		Current Lactation No			7th	Fat%	Total Solids	Environmental Temp (celcius)	Forage Type
Recording no	Recording Date DD-MM-YYYY	Milk yield (Kg)							
		Morning	Evening	Total					
1	15-Mar-18	5.478	5.41	10.888	6.1	14.912	32	Berseem	
2	15-Apr-18	5.17	5.317	10.487	6.3	15.156	37	Berseem	
3	15-May-18	4.796	5	9.796	6.2	15.15	39	Silage	
4	15-Jun-18	4.517	4.957	9.474	6.3	15.16	42	Silage	
5	15-Jul-18	4.347	4.436	8.783	6.2	15.272	45	Silage	
6	15-Aug-18	4.278	4	8.278	6.5	15.394	41	Millet	
7	15-Sep-18	3.578	3.917	7.495	6.5	15.394	38	Millet	
8	15-Oct-18	3.1	3.18	6.28	6.6	15.516	36	Maize	
9	15-Nov-18	2.578	3	5.578	6.9	15.638	33	Maize	

Current lactation performance		Current Lactation No			2nd	Fat%	Total Solids	Environmental Temp (celcius)	Forage Type
Recording no	Recording Date DD-MM-YYYY	Milk yield (Kg)							
		Morning	Evening	Total					
1	15-Mar-18	5.614	5	10.614	6.1	14.912	32	Berseem	
2	15-Apr-18	5.17	5.247	10.487	6.3	15.156	37	Berseem	
3	15-May-18	5	5.478	10.478	6.2	15.15	39	Silage	
4	15-Jun-18	4.715	3.978	8.693	6.3	15.16	42	Silage	
5	15-Jul-18	4.398	4	8.398	6.2	15.272	45	Silage	
6	15-Aug-18	4.178	3.31	7.488	6.5	15.394	41	Millet	
7	15-Sep-18	4	3	7	6.5	15.394	38	Millet	
8	15-Oct-18	3.817	2.914	6.731	6.6	15.516	36	Maize	
9	15-Nov-18	3.178	2	5.178	6.9	15.638	33	Maize	

Performance History & Progeny Record

Performance History					Progeny Record		
Lactation no	Date of Calving MM-DD-YYYY	Date of Dry MM-DD-YYYY	Lactation Length	Milk yield (Lit.)	Calf ID	Sire ID	Sex
1	NA	NA	NA	NA	NA	NA	Female
2	NA	NA	NA	NA	NA	NA	Male
3	1-4-18				NA	dudiyon	Male

Performance History & Progeny Record

Performance History					Progeny Record		
Lactation no	Date of Calving MM-DD-YYYY	Date of Dry MM-DD-YYYY	Lactation Length	Milk yield (Lit.)	Calf ID	Sire ID	Sex
1	2-17-18	NA	NA	NA	NA	dudiyon	Female
2							
3							

PP-050

Ch.Liaqat



Farmer Detail

Name	Ch.Liaqat
Address	66 E.B.
Contact No	0346-4442502
CNIC	35202-2803472-3

Buffaloes Detail

Adults	Heifers	Calves	Bull	Total
060	40	42	1	143

Star Marked And changed colour is current practice of farmer from below Table

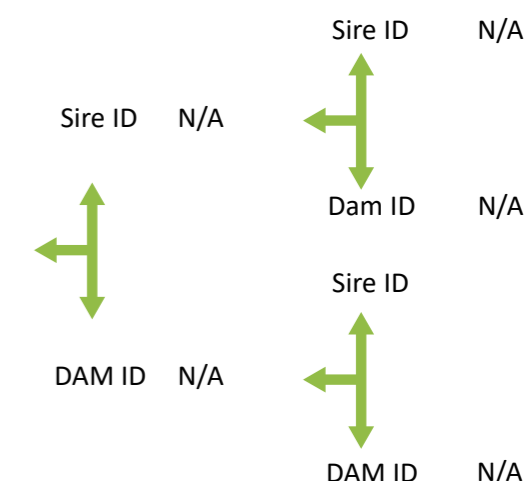
Feeding system

NFS	Necessary feeding system	Total mixed ration @3% Body wieght
HIFS	High input feeding system	Forage ad lib+ Silage/Hay+Concentrate+free water access
* MIFS	Medium input feeding system	Forage ad lib+ occasional Concentrate+free water access
LIFS	Low input feeding system	Forage ad lib+ water access on offering
PIFS	Poor input feeding system	Grazing from communal land+ Water access on offering

Housing System

Excellent	Loose stall,Proper feeding manger+Free access to pound+excellent Ventilation+Bedding in resting area
* Good	Loose stall, proper feeding manger+Once a day access to pound+resting area+excellent ventilation
Above average	Loose stall, proper feeding manger+resting area+good ventilation
Average	Tie stall+proper feeding manger+Resting area+good ventilation
Poor	Tie stall+poor ventilation+ No resting area

International ID	Project ID	Buffalo Name	Breed	Date Of Birth
PKB-PP-003-050-015	Tag#15	Daachi	Nili	NA

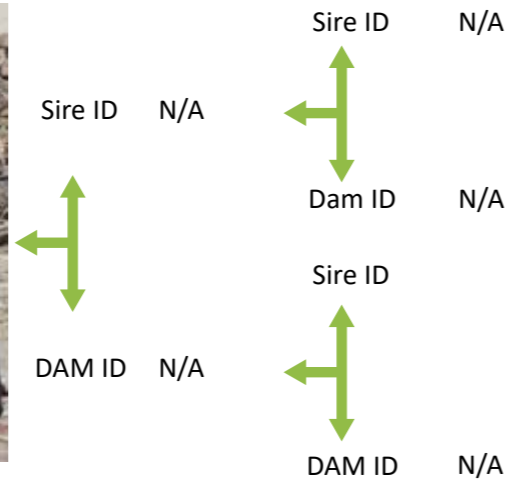


Recording no	Recording Date DD-MM-YYYY	Milk yield (Kg)			Fat%	Total Solids	Environmental Temp (celcius)	Forage Type
		Morning	Evening	Total				
1	18-Mar-18	8.514	8.179	16.693	6	14.79	32	Berseem
2	18-Apr-18	8	7.4	15.4	6.1	14.912	34	Berseem
3	18-May-18	7.418	7	14.418	6.2	15.15	38	Silage
4	18-Jun-18	7	6.517	13.517	6.2	15.16	40	Silage
5	18-Jul-18	6.814	6.19	13.004	6.4	15.272	44	Silage
6	18-Aug-18	6.28	5.418	11.698	6.4	15.394	45	Millet
7	18-Sep-18	5.178	4.391	9.569	6.6	15.394	41	Millet
8	18-Oct-18	4.3	3.917	8.217	6.6	15.516	38	Maize
9	18-Nov-18	3.28	2.5	5.78	6.8	15.638	35	Maize

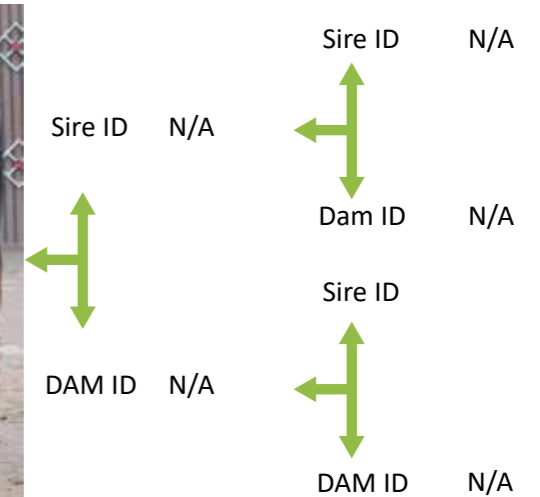
Performance History & Progeny Record

Performance History					Progeny Record		
Lactation no	Date of Calving MM-DD-YYYY	Date of Dry MM-DD-YYYY	Lactation Length	Milk yield (Lit.)	Calf ID	Sire ID	Sex
1	NA	NA	NA	NA	NA	NA	NA
2	NA	NA	NA	NA	NA	NA	NA
3	NA				NA	NA	Male

International ID	Project ID	Buffalo Name	Breed	Date Of Birth
PKB-PP-003-050-016	Tag#16	Anmool	Nili Ravi	NA



International ID	Project ID	Buffalo Name	Breed	Date Of Birth
PKB-PP-003-050-017	Tag#17	Sohni	Nili ravi	NA



Current lactation performance		Current Lactation No			2nd	Fat%	Total Solids	Environmental Temp (celcius)	Forage Type
Recording no	Recording Date DD-MM-YYYY	Milk yield (Kg)							
		Morning	Evening	Total					
1	18-Mar-18	9.314	8.47	17.784	6	14.79	32	Berseem	
2	18-Apr-18	8.48	7.18	15.66	6.1	14.912	34	Berseem	
3	18-May-18	7.517	7.294	14.811	6.2	15.15	38	Silage	
4	18-Jun-18	7.298	6.817	14.115	6.2	15.16	40	Silage	
5	18-Jul-18	6.317	5.927	12.244	6.4	15.272	44	Silage	
6	18-Aug-18	5.298	5	10.298	6.4	15.394	45	Millet	
7	18-Sep-18	4.718	0	4.718	6.6	15.394	41	Millet	
8	18-Oct-18	4.1	4.297	8.397	6.6	15.516	38	Maize	
9	18-Nov-18	3.6	2.5	6.1	6.8	15.638	35	Maize	

Current lactation performance		Current Lactation No			3rd	Fat%	Total Solids	Environmental Temp (celcius)	Forage Type
Recording no	Recording Date DD-MM-YYYY	Milk yield (Kg)							
		Morning	Evening	Total					
1	18-Mar-18	7.418	7	14.418	6	14.79	32	Berseem	
2	18-Apr-18	7.284	6.517	13.801	6.1	14.912	34	Berseem	
3	18-May-18	6.517	6.175	12.692	6.2	15.15	38	Silage	
4	18-Jun-18	5.821	5.417	11.238	6.2	15.16	40	Silage	
5	18-Jul-18	4.927	0	4.927	6.4	15.272	44	Silage	
6	18-Aug-18	4.394	0	4.394	6.4	15.394	45	Millet	
7	18-Sep-18	4	3.814	7.814	6.6	15.394	41	Millet	
8	18-Oct-18	3.817	2.817	6.634	6.6	15.516	38	Maize	
9	18-Nov-18	2.4	3.124	5.614	6.8	15.638	35	Maize	

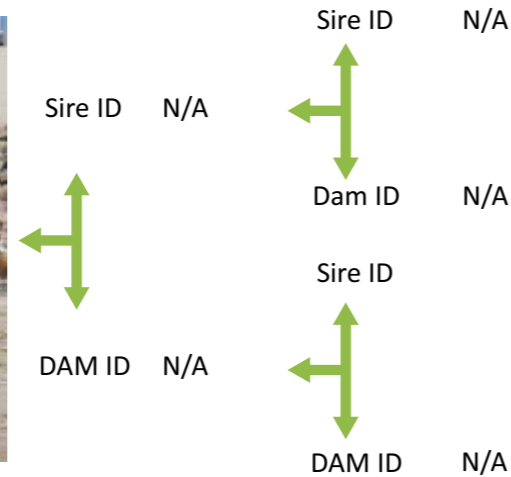
Performance History & Progeny Record

Performance History					Progeny Record		
Lactation no	Date of Calving MM-DD-YYYY	Date of Dry MM-DD-YYYY	Lactation Length	Milk yield (Lit.)	Calf ID	Sire ID	Sex
1	NA	NA	NA	NA	NA	NA	NA
2	NA	NA	NA	NA	NA	NA	NA
3	1-15-18				NA	NA	Female

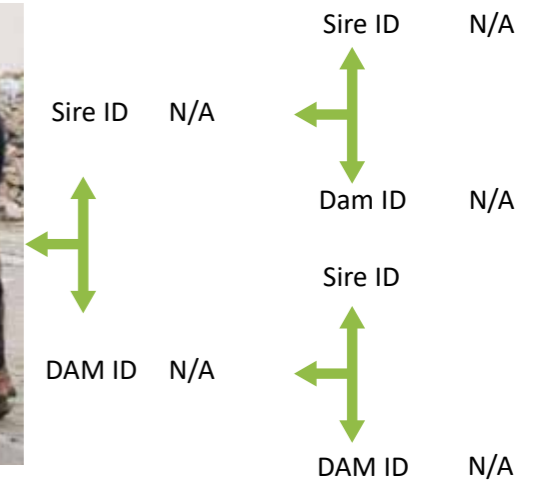
Performance History & Progeny Record

Performance History					Progeny Record		
Lactation no	Date of Calving MM-DD-YYYY	Date of Dry MM-DD-YYYY	Lactation Length	Milk yield (Lit.)	Calf ID	Sire ID	Sex
1	NA	NA	NA	NA	NA	NA	NA
2	1-3-18	NA	NA	NA	NA	NA	Male
3	NA				NA	NA	NA

International ID	Project ID	Buffalo Name	Breed	Date Of Birth
PKB-PP-003-050-018	Tag#18	Sohni	Nili	NA



International ID	Project ID	Buffalo Name	Breed	Date Of Birth
PKB-PP-003-050-019	Tag#19	Bulbull	Nili ravi	NA



Current lactation performance		Current Lactation No			2nd	Fat%	Total Solids	Environmental Temp (celcius)	Forage Type
Recording no	Recording Date DD-MM-YYYY	Milk yield (Kg)							
		Morning	Evening	Total					
1	18-Mar-18	8.214	8	16.214	6	14.79	32	Berseem	
2	18-Apr-18	7.5178	7.178	14.6958	6.1	14.912	34	Berseem	
3	18-May-18	7.298	6.578	13.876	6.2	15.15	38	Silage	
4	18-Jun-18	7	6.178	13.178	6.2	15.16	40	Silage	
5	18-Jul-18	6.548	5.978	12.526	6.4	15.272	44	Silage	
6	18-Aug-18	6.173	5.124	11.387	6.4	15.394	45	Millet	
7	18-Sep-18	5.517	4.217	9.734	6.6	15.394	41	Millet	
8	18-Oct-18	5	3.817	8.17	6.6	15.516	38	Maize	
9	18-Nov-18	4.514	3.1	7.614	6.8	15.638	35	Maize	

Current lactation performance		Current Lactation No			3rd	Fat%	Total Solids	Environmental Temp (celcius)	Forage Type
Recording no	Recording Date DD-MM-YYYY	Milk yield (Kg)							
		Morning	Evening	Total					
1	18-Mar-18	7.514	6.278	13.792	6	14.79	32	Berseem	
2	18-Apr-18	7	7.198	14.198	6.1	14.912	34	Berseem	
3	18-May-18	6.418	6.574	12.992	6.2	15.15	38	Silage	
4	18-Jun-18	6.187	6.496	12.683	6.2	15.16	40	Silage	
5	18-Jul-18	5.418	5.126	10.544	6.4	15.272	44	Silage	
6	18-Aug-18	5.27	4.924	10.194	6.4	15.394	45	Millet	
7	18-Sep-18	4.79	4.256	9.046	6.6	15.394	41	Millet	
8	18-Oct-18	4.29	4.198	8.488	6.6	15.516	38	Maize	
9	18-Nov-18	3.517	2.5	6.017	6.8	15.638	35	Maize	

Performance History & Progeny Record

Performance History					Progeny Record		
Lactation no	Date of Calving MM-DD-YYYY	Date of Dry MM-DD-YYYY	Lactation Length	Milk yield (Lit.)	Calf ID	Sire ID	Sex
1	NA	NA	NA	NA	NA	NA	NA
2	NA	NA	NA	NA	NA	NA	NA
3	NA				NA	NA	Feamle

Performance History & Progeny Record

Performance History					Progeny Record		
Lactation no	Date of Calving MM-DD-YYYY	Date of Dry MM-DD-YYYY	Lactation Length	Milk yield (Lit.)	Calf ID	Sire ID	Sex
1	NA	NA	NA	NA	NA	NA	NA
2	NA	NA	NA	NA	NA	NA	NA
3	2-15-18				NA	NA	Feamle

Buffalo Breeders Association Punjab Pakistan (BBAPP)
Office: Buffalo Research Institute, 72-km, Lahore-Multan
Road, Bhoneky, Pattoki, District Kasur.
Tel: 049-4421887, 0300-4321957
Email: miansamiullah84@gmail.com

USAID Punjab Enabling Environment Project (PEEP)
P.O. Box 3134, Lahore, Pakistan.
Email: info@usaidpeep.com.pk